



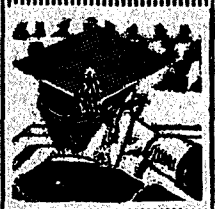
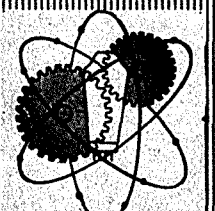
CENTRAL OFFICE OF STATISTICS — MALTA

# EDUCATIONAL STATISTICS

1964-65

Price 3/6

Obtainable from the Department of Information, Valletta



CENTRAL OFFICE OF STATISTICS — MALTA

# **EDUCATIONAL STATISTICS**

**1964 - 65**

— 1967 —

Compiled and Printed at the Central Office of Statistics

# C O N T E N T S

Page

## GOVERNMENT PRIMARY SCHOOL

### COMMENTARY:

Part 1.	Organization, levels and finance of education	v
Part 2.	Comparative school enrolment	ix
Part 3.	Government primary schools	x
Part 4.	Government secondary and technical schools	xiv
Part 5.	Private schools	xviii
Part 6.	Higher education	xxi
Part 7.	Other forms of education	xxii

### SCHOOLS:

Table 1.	Government infant and primary schools classified by type of school: 1963/64 - 1964/65	2
Table 2.	Teaching staff, classes and school population by locality and type: 30th June, 1965	3
Table 3.	Number of schools classified by type of school and range of pupils: 30th June, 1965	6

### PUPILS:

Table 4.	Pupils classified by locality of school, age and sex: 30th June, 1965	7
Table 5.	Summary table of pupils by age and sex: 30th June, 1965	12
Table 6.	Pupils classified by type of school, age and sex: 30th June, 1965	13
Table 7.	Pupils under and over 10 years of age by type of school and sex: 30th June, 1965	15
Table 8.	Pupils classified by class, sex and age: 30th June, 1965	15
Table 9.	Pupils classified by locality of school, class, sex and foreign languages taken in addition to English 1964/65	17
Table 10.	Summary table of pupils in infant and primary sections: 30th June, 1965	20
Table 11.	Mean age of pupils by class and sex: 1963/64 - 1964/65	20

### CLASSES:

Table 12.	Number of boys', girls' and mixed classes: 30th June, 1965	21
Table 13.	Number of classes and number of pupils classified by range of pupils in school and class: 30th June, 1965	22

### NEW PUPILS:

Table 14.	New pupils admitted into government primary schools: 1964/65	24
-----------	--	----

### SCHOOL-LEAVERS:

Table 15.	Pupils that left school classified by sex, month and cause of leaving: 1964/65	26
Table 16.	Pupils that left school classified by age, sex and cause of leaving: 1964/65	27

### REPEATERS:

Table 17.	Pupils classified by locality of school, class, sex and whether promoted, repeaters or new: 1964/65	28
Table 18.	Number and percentage of repeaters by locality groups in Malta and Gozo: 30th June, 1965	40
Table 19.	Repeaters classified by age, sex and class: 1964/65	41
Table 20.	Summary table of repeaters in infant and primary sections: 1964/65	42

### ABSENCES:

Table 21.	Absence of pupils: 1964/65	42
-----------	----------------------------	----

### SCHOOL HEALTH SERVICE:

Table 22.	Number and percentage of pupils taking milk, cod liver oil and tablets, classified by sex: 1964/65	43
-----------	--	----

R T F I W O S  
GOVERNMENT PRIMARY SCHOOLS (CONTD.)

TEACHING STAFF:

Table 23.	Teaching staff classified by age, sex and status: 1964/65	44
Table 24.	Teaching staff classified by type of school, sex and status: 1964/65	45

PREMISES:

Table 25.	Summary of items connected with premises: 1963/64 - 1964/65	46
Table 26.	Number of schools, premises, rooms, classrooms, etc.: 1964/65	47
Table 27.	Government infant and primary schools classified by type of school and number of premises: 1964/65	48

GOVERNMENT GRAMMAR SCHOOLS

SUMMARY:

Table 28.	Summary table of classes, pupils and teachers in each school: 1964/65	49
-----------	---	----

PUPILS:

Table 29.	Number and percentage of pupils by age and sex: 30th June, 1965	49
Table 30.	Number and percentage of pupils classified by class and sex: 30th June, 1965	50
Table 31.	Pupils classified by class, sex and age: 30th June, 1965	50
Table 32.	Mean age of pupils by class and sex: 1964/65	51

PROMOTED PUPILS:

Table 33.	Promoted pupils classified by class, age and sex: 1964/65	51
-----------	---	----

REPEATERS:

Table 34.	Repeaters classified by class, age and sex: 1964/65	52
-----------	---	----

NEW PUPILS:

Table 35.	Summary table of new pupils classified by age, sex and details of admission: 1964/65	52
Table 36.	New pupils classified by age, sex and class to which admitted: 1964/65	53
Table 37.	Number and percentage of promoted pupils, new pupils and repeaters by class: 1965	53

SCHOOL-LEAVERS:

Table 38.	Pupils that left school classified by sex, cause and month of leaving: 1964/65	54
Table 39.	Pupils that left school classified by age, sex and cause of leaving: 1964/65	55

CLASSES:

Table 40.	Number of classes and number of pupils classified by range of pupils in school and class: 30th June, 1965	56
-----------	---	----

TEACHING STAFF:

Table 41.	Number of teachers classified by status and sex: 1964/65	58
-----------	--	----

PREMISES:

Table 42.	Number of schools, premises, rooms, classrooms, etc.: 1964/65	58
-----------	---	----

## GOVERNMENT TECHNICAL SCHOOLS

## SUMMARY:

Table 43.	Summary table of pupils and teachers classified by school: 30th June, 1965	...	...	...	59
-----------	--	-----	-----	-----	----

## PUPILS:

Table 44.	Number and percentage of pupils by age and sex: 30th June, 1965	...	...	...	59
Table 45.	Number and percentage of pupils at each age: 30th June, 1965	...	...	...	60
Table 46.	Number and percentage of pupils by class: 30th June, 1965	...	...	...	61
Table 47.	Pupils classified by type of school, class and age: 30th June, 1965	...	...	...	62
Table 48.	Mean age of pupils by school and class: 1964/65...	...	...	...	63

## PROMOTED PUPILS:

Table 49.	Promoted pupils classified by school, class and age: 1964/65	...	...	...	64
-----------	--	-----	-----	-----	----

## REPEATERS:

Table 50.	Repeaters classified by school, class and age: 1964/65	...	...	...	65
-----------	--	-----	-----	-----	----

## NEW PUPILS:

Table 51.	New pupils admitted to technical schools classified by school, age and class: 1964/65.	...	...	66	
Table 52.	Number and percentage of new pupils, promoted pupils and repeaters by school and class: 1964/65	...	...	...	67

## SCHOOL-LEAVERS:

Table 53.	Pupils that left school classified by cause and month of leaving: 1964/65	...	...	...	69
Table 54.	Pupils that left school classified by age and cause of leaving: 1964/65...	...	...	...	69

## CLASSES:

Table 55.	Number of classes and number of pupils classified by range of pupils in school and class: 30th June, 1965	...	...	...	70
-----------	---	-----	-----	-----	----

## TEACHING STAFF:

Table 56.	Teaching staff classified by school, status and sex: 1964/65	...	...	...	71
-----------	--	-----	-----	-----	----

## PREMISES:

Table 57.	Number of schools, premises, rooms, classrooms, etc.: 1964/65	...	...	...	71
-----------	---	-----	-----	-----	----

## ADMISSION EXAMINATION

Table 58.	Candidates for admission to government lyceum, grammar and secondary technical schools classified by age, sex and whether passed or failed: 1965...	...	...	...	72
Table 59.	Candidates for admission to government lyceum, grammar and secondary technical schools classified by sex, whether passed or failed and whether presented or not by school attended: 1965	...	...	...	73
Table 60.	Candidates for admission to government lyceum, grammar and secondary technical schools classified by sex and marks obtained in english and arithmetic: 1965	...	...	...	74
Table 61.	Candidates for admission to government technical schools classified by school attended: 1965	...	...	...	75
Table 62.	Candidates for admission to government technical schools classified by age and whether passed or failed: 1965	...	...	...	75
Table 63.	Candidates for admission to government technical schools classified by marks obtained in english and arithmetic: 1965	...	...	...	76

## PRIVATE SCHOOLS

## SUMMARY:

Table 64.	Summary table of pupils and teachers classified by type of school and sex: 30th June, 1965	77
-----------	--	----

## PUPILS:

Table 65.	Number of boarders, day boarders and day pupils classified by class: 1964/65	78
Table 66.	Number and percentage of pupils at each age, classified by sex: 30th June, 1965	79
Table 67.	Number and percentage of pupils classified by class and sex: 30th June, 1965	79
Table 68.	Pupils classified by class, age and sex: 30th June, 1965	80
Table 69.	Pupils classified by locality, type of school and sex: 30th June, 1965	82
Table 70.	Mean age of pupils by class and sex: 1964/65	84

## PROMOTED PUPILS:

Table 71.	Promoted pupils classified by class, age and sex: 1964/65	85
-----------	---	----

## REPEATERS:

Table 72.	Repeaters classified by class, age and sex: 1964/65	86
-----------	---	----

## NEW PUPILS:

Table 73.	New pupils classified by age, sex and details of admission: 1964/65	87
Table 74.	New pupils classified by age, sex and class: 1964/65	88
Table 75.	Number and percentage of new pupils, promoted pupils and repeaters classified by class and sex: 30th June, 1965	89

## SCHOOL-LEAVERS:

Table 76.	Pupils that left school classified by sex, cause and month of leaving: 1964/65	90
Table 77.	Pupils that left school classified by sex, age and cause of leaving: 1964/65	91

## CLASSES:

Table 78.	Number of classes and number of pupils classified by range of pupils in school and class: 30th June, 1965	92
-----------	---	----

## TEACHING STAFF:

Table 79.	Number of teachers classified by type of school, status and sex: 1964/65	99
-----------	--	----

## PREMISES:

Table 80.	Number of schools, premises, rooms, classrooms, etc: 1964/65	100
-----------	--	-----

## GOVERNMENT INDUSTRIAL TRAINING CENTRES

Table 81.	Teachers, trainees and number of courses: 1964/65	101
Table 82.	Number of trainees enrolled and designation and duration of course: 1964/65	101
Table 83.	Trainees by age and designation of course: 1964/65	102
Table 84.	Trainees by pre-admission qualifications: 1964/65	102
Table 85.	Trainees who left centres classified by age and cause of leaving: 1964/65	103
Table 86.	Weekly allowances to trainees classified by designation of course: 1964/65	103

## EVENING CLASSES

Table 87.	Teachers and students in evening classes classified by school and sex: 1964/65	104
Table 88.	Students in evening classes classified by school, subject taught and length of course: 1964/65	105

## SCHOOLS FOR THE PHYSICALLY-HANDICAPPED

Table 89.	Physically-handicapped persons receiving full-time education analysed by type of infirmity, sex and age: 1964/65 ... ..	108
Table 90.	Number of premises and teachers classified by school: 1964/65 ... ..	108

## UNIVERSITY

Table 91.	Number of students and courses classified by sex on 1st October, 1956 - 1964 ... ..	109
Table 92.	Number of regular students classified by faculty and sex on 1st October: 1956 - 1964 ... ..	110
Table 93.	Admission of regular students during the academic years 1962/63 - 1964/65 ... ..	111
Table 94.	Student numbers on 1st October 1956 - 1964, classification by faculties... ..	112
Table 95.	Age classification of freshmen admitted during the academic years 1962/63, 1963/64, 1964/65 ... ..	114
Table 96.	Degrees conferred: 1956/57 - 1964/65 ... ..	114
Table 97.	Percentage proportion of women students to total students on 1st October, 1956 - 1964 ... ..	115
Table 98.	Number of regular students and casualties during the academic years: 1956/57 - 1963/64 ... ..	116
Table 99.	Summary table showing classification of teaching staff, by faculties: 1956/57 - 1964/65 ... ..	118
Table 100.	Members of the teaching staff classified by status: 1956/57 - 1964/65 ... ..	119
Table 101.	Exemption from payment of fees and estimated cost: 1956/57 - 1964/65 ... ..	119
Table 102.	Statement of revenue and expenditure for the academic years: 1956/57 - 1964/65 ... ..	120

## GOVERNMENT EXPENDITURE ON EDUCATION

Table 103.	Subsidies to private schools: 1957/58 - 1964/65 ... ..	121
Table 104.	Annual cost per pupil: 1958/59 - 1964/65... ..	121
Table 105.	Government expenditure on education: 1959/60 - 1964/65 ... ..	122

## TRAINING COLLEGES

Table 106.	Number of students attending training colleges for teachers: 1959/60 - 1964/65 ... ..	124
------------	---	-----

## EXPLANATORY NOTES

### SCHOOL YEAR:

That of the Government Primary Schools covers the ten months from September 15 to the following July 15; that of Grammar, Secondary/Technical and Technical Schools starts two weeks later and ends on or about July 15. For brevity's sake, the school year in this report is indicated by the year in which it ends e.g., the school year 1965 refers to the school year extending from September/October 1964 to July, 1965.

### ENROLMENT:

This is a count of all pupils whose names appear in a school register on June 30th of the school year. The count is net of the pupils who have died, withdrawn or transferred to another register during the same school year. In the case of the university and polytechnic the count relates to the start of the academic year in October.

### SCHOOL:

A school (educational institution) is a group of pupils (students) of one or more grades organized to receive instruction of a given type and level under one teacher, or under more than one teacher, and with an immediate head. More than one school may be housed in one school plant, e.g., at Msida and Hamrun. The school may be either public or private. A public or Government school is administered by the Department of Education; a private school is operated by a proprietor or voluntary body.

### GRADE:

This is a 'stage' or 'standard' of instruction usually covered in the course of a school year. It is a unit in the vertical organization of a school.

### CLASS:

A class is a group of pupils (students) who are usually instructed during a school year by a teacher or by several teachers. It is a unit in the horizontal organization of a school.

### PUPIL:

A pupil (student) is a person enrolled in a school for systematic instruction at any level of education.



## TEACHERS:

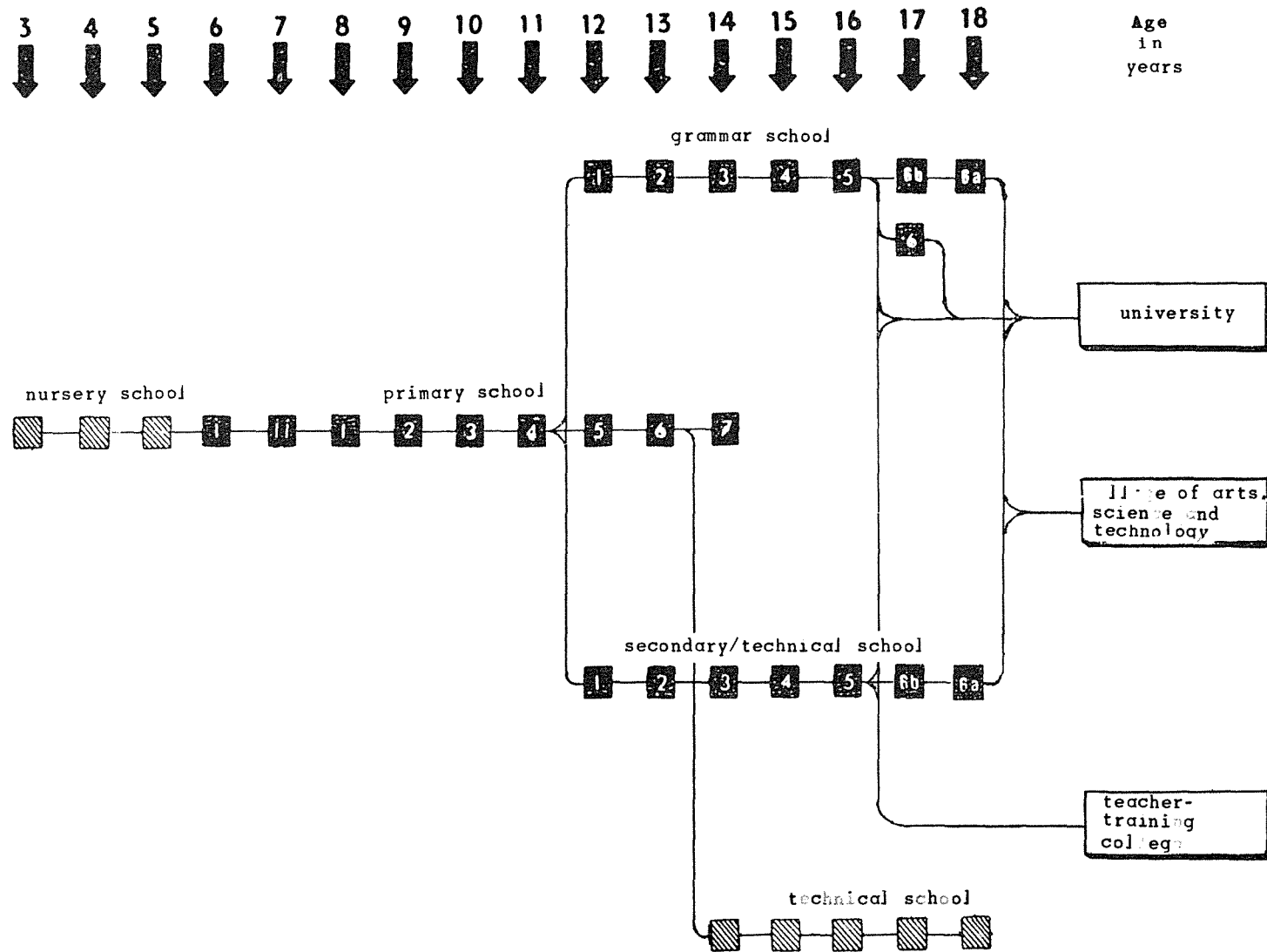
A teacher is a person directly engaged in instructing a group of pupils (students). Most teachers are on a full-time basis, but there are also teachers at the second level, known as visiting teachers, who are part-timers. Personnel who have no regular teaching functions, such as headteachers, principals and school assistants, do not count as teachers.

## COMPULSORY EDUCATION:

The Compulsory Education Act was introduced in 1946. It provides for the compulsory full-time schooling of children from the age of 6 to 14 years.

Fig. 1.

### ORGANIZATION OF THE SCHOOL SYSTEM IN MALTA



## COMMENTARY

### PART 1 - ORGANIZATION, LEVELS AND FINANCE OF EDUCATION

The statistics collected in this annual publication relate to educational institutions and, to a much smaller extent, to educational finance. They were collected from postal questionnaires addressed to all public and private educational establishments. Heads of these establishments furnished a complete return concerning the 1964/65 school year referred to in this publication as the 1965 school year. The returns were vetted and coded and then processed mechanically by punchcard equipment installed in the Central Office of Statistics.

#### Organization of the School System:

The school system in Malta and Gozo resembles that prevailing in many other countries. Nursery school (pre-primary) is followed by primary school (duration of course 6 to 8 years). Pupils may leave the primary school after 6 years and sit an examination for admission to a Grammar or Secondary Technical School. Again, after 5 years of secondary education, pupils sit the General Certificate of Education (University of Oxford) or equivalent examinations, and may elect to go to a higher education (teacher training college, polytechnic or University) if qualified. Alternatively they may opt either to discontinue their schooling and enter the labour market, or to continue the sixth class, or else complete a "sixth form" of two years leading to an examination in one or more advanced level subjects at the G.C.E. examinations. There are also technical schools (vocational) catering for pupils who spent 7 or 8 years in the primary school. There is an overlap of at least 2 years between the primary and the secondary levels since the primary course extends to 8 years and secondary education begins after 6 or 7 years of primary schooling. There is also an element of overlap between secondary education and higher (non-University) education, and between technical education and primary schooling.

#### Educational Levels:

A classification of schools by educational level for international comparisons is useful though difficult to achieve. An attempt is made in this commentary to distinguish education by level without foregoing the classification by type of school familiar to the local educationist.

### Pre first level education:

Known as nursery education, this is provided for children aged 3 to 5 years before they are admitted to the regular primary schools. It is more concerned with the healthy development of the child, mentally and socially, than with the acquisition of specific skills such as reading, writing and arithmetic. In the 1965 school year 2,776 or 12.8 per cent. of the child population aged 3 - 5 years were enrolled at this educational level in nursery schools or nursery classes attached to schools. As in some countries, nursery education is provided only by private schools.

### First level education:

This is the basic level of education provided in all countries. More than half the countries in the world have now compulsory laws which are carried out fully or in part. In Malta, compulsory education laws were enacted in 1946. This level of education is obtained without payment in government primary schools, and on direct payment of fees when parents send their children to a private school.

Education at this level is concerned with the child's acquisition of the tools of learning - the three R's - together with an elementary knowledge of history, geography and religious knowledge apart from English, Maltese and Italian or French. It is imparted to children aged 6 to 14 years in government primary schools and to children aged 5 to 12 in primary classes attached to private schools. Enrolment at this level totalled 55,364 which is 85.2 per cent of the population aged 6 - 14 years. There are indications that this enrolment is on a diminishing trend. Last year there were 57,192 children enrolled, and 59,557 in 1963. The average decline over the past five years has been at the rate of 1,570 every year.

### Second level education:

Built upon the basic instructions given at the first level, second level education provides for the various needs of the adolescent in preparation for his active and intelligent participation in the life of the community. It normally begins after 6 to 7 years of previous instruction in a government school or in primary classes attached to a private school. The age of pupils receiving this education is normally 12 to 17 years and a few continue beyond 17 years in what is commonly known as the sixth form. In 1965, 24.7 per cent. or 11,084 of the population in this age group were enrolled at this level in government schools, secondary classes attached to private schools, and in government secondary technical schools. Enrolment at this level has been increasing in recent years. The rate of increase over the past six years has

been about 650 a year. However, the increase over last year amounted to 44 students only. Some second-level education is also imparted in various departments of the Polytechnic, where some students are prepared for City and Guilds and similar examinations.

Second level education is general in a sense that it does not aim at preparing the pupils "directly" for a given trade or occupation. Where appropriate, our schools impart instruction with orientation of pupils according to interests and aptitudes. They prepare pupils for the General Certificate of Education examinations of Oxford or London Universities, as well as for Malta University matriculation examinations. They may, or may not, lead on to higher education at the third level.

#### Vocational education:

Secondary technical schools provide general and vocational education, and prepare their pupils to pass on to schools at the third level. They have been included under second level education. Technical schools, on the other hand, provide vocational education and are based on at least 6 years of first level education. They are "terminal schools"; that is, they do not prepare their pupils to pass on to the third level, or they enable such further education only to a very limited extent. Usually, they prepare pupils for certain trades or occupations. Industrial training centres, too, provide vocational education but at a lower level. They enable students to acquire manual or mechanical skills connected with certain occupations, whereas technical schools emphasize a certain degree of technical and scientific knowledge of the trade or occupation. Enrolment in technical schools and industrial training centres was 1,346 in 1965. This represents 2.1 per cent. of the population aged 14 - 23 years.

#### Third level education:

This is provided by one University, one College of Arts, Science and Technology, and two Teacher Training Colleges. Students are required to have certain qualifications which, indirectly, imply completion of second level education before they are allowed admission to third level. Enrolment at this level in 1965 was 987 or 1.7 per cent. of the population aged 16 to 24 years. While entry to the two teacher training colleges, one for men and the other for women, depends on available accommodation and hence does not vary much from year to year, the intake of the Polytechnic, a new institution, is on the increase while that of the University depends on the availability of adequately qualified applicants and hence tends to fluctuate.

Expenditure on the running of public schools in the 1964/65 financial year amounted to nearly £2.3 million, whereof £1.59 million were for personal emoluments, £611,730 for other recurrent charges, and £66,170 as non-recurrent charges. The annual cost per pupil in the public schools worked out to £25 in primary schools, £54 in grammar schools and £70 in technical schools. These average costs fluctuate from year to year but they have generally been on a slowly declining trend since 1961/62.

Viewed from another angle, public expenditure, including capital expenditure, on education in the 1964/65 financial year amounted to £2.7 million which was equivalent to 6 per cent. of the national income generated in 1964. Capital expenditure amounted to 19 per cent. of the total.

## PART 2 - COMPARATIVE SCHOOL ENROLMENT

The "total school enrolment ratio" may be used as a crude indicator of a country's educational achievement. This indicator resolves itself into two components: (a) "primary school enrolment ratio" - enrolment in all primary schools as percentage of the population aged 5-14 years, and (b) "secondary school enrolment ratio" - enrolment in secondary schools as percentage of the population aged 15-19 years. It is on this basis that international comparisons are made though it should be made clear that the indicators and the comparisons are subject to serious limitations.

Total enrolment at the primary and secondary levels of education, 63 per cent in Malta and Gozo in 1965, marks creditable achievement in the educational field when it is considered that the larger ratios in more developed countries stem partly from much older compulsory education laws. The ratio obscures the position of the secondary level. Whereas the primary ratio of 78 per cent. is satisfactory, the secondary ratio of 34 per cent. has lagged behind that of most European and other countries in a similar stage of development as our own. However, the two ratios compare favourably with those of the world population as a whole which have been estimated rather crudely as 38 and 27 per cent. respectively.

These ratios fall short of a good yardstick of comparison when applied to territories at different stages of development. Account has to be taken also of the criticism that the standard age-groups may be unrealistic for a number of countries. In Malta, for instance, the correct age-grouping is 6-14 years for the primary level so that comparison of Malta's enrolment at this level of 78 per cent. with the corresponding figure of 53 per cent for England and Wales is entirely misleading as the relevant age-group for the last mentioned countries is 5-11 years.

A different indicator of educational achievement is that of an appropriate intake ratio based upon the population "at risk". The primary intake ratio - enrolment in the first year of Primary (Stage I) as a percentage of the total population aged 5 and 6 - was 56.7 per cent. Entry into the primary level is normally at ages 4 and 5 in private schools and at ages 6 and 7 in government schools. Compulsory attendance at school starts at age 6. The secondary intake ratio - calculated from the enrolment in the first year of secondary level as a percentage of the number enrolled the previous year in Grades IV, V and VI of the primary level - was 25 per cent. in the same year. Entry into the secondary level is by examination and is restricted to candidates in the age-group 10 to 14 years, as far as government secondary schools, imparting a general education, are concerned.

Entry into the third level remains very restricted, although in recent years, the availability of both government and private scholarships have produced a slight improvement. Of the total school population of 70.7 thousand, 81.2 per cent were in the primary, 17.5 per cent. at the secondary and only 1.3 per cent. were at the third level. The corresponding figures for the world as a whole stand at approximately 360 million, 76 per cent., 21 per cent. and 3 per cent. respectively.

### PART 3 - GOVERNMENT PRIMARY SCHOOLS

#### Enrolment:

The net pupil enrolment at each grade and at all grades combined from 1960 to 1965 is given in Table 3.1. This includes all pupils whose names appeared in a school register on June 30th of each school year, and is "net" in that it excludes pupils who died, withdrew or transferred to another register during the school year. Net enrolment for all grades taken together diminished consistently from 54,446 in 1959 to 45,470 in 1965. Within the grades there were differences in trend. Enrolment declined almost continuously in Stage II, Standard II, III and IV; fluctuated in Stage I and Standard I; in Standard V it started declining after 1961; in Standard VI decline set in only in 1963 while in Standard VII enrolment fluctuates but shows a tendency to increase. Only Standard I showed a small increase in 1965, the other grades all showing a decrease.

Various factors have influenced the trend of total net enrolment. The "bulge" in the age pyramid of the population created by the numerous births of 1944-50 advanced up the age scale and was replaced by smaller generations. The survivors of the "bulge" were 15 to 21 years in 1965 which implies that the "passing" of the "bulge" is now complete as far as the primary schools are concerned.

ENROLMENT IN GOVERNMENT PRIMARY SCHOOLS: 1960 - 1965

Table 3.1.

Grade	1960	1961	1962	1963	1964	1965
Stage I	5,350	4,758	4,902	5,724	5,477	4,846
Stage 2	6,839	6,775	6,506	6,500	6,948	6,556
Standard I	7,474	7,091	7,242	6,706	6,605	6,853
II	8,222	7,632	7,114	7,129	6,726	6,601
III	8,483	7,930	7,359	6,854	6,660	6,354
IV	7,925	7,704	7,220	6,786	6,319	6,084
V	6,143	6,474	6,306	6,045	5,599	5,294
VI	2,735	2,875	3,335	3,239	3,172	2,615
VII	-	137	146	204	301	267
ALL GRADES	53,171	51,376	50,130	49,187	47,807	45,470

Hence the continuing decline in primary school enrolment has to be attributed to various other factors. The compulsory school-age population - reckoned as that aged 6 to 14 years on the 30th June - has been declining at the rate of some 1,600 every year over the last six years. Some 1,000 more leave primary school every year, during the course of the school-year, in order to emigrate with their parents. In 1965, the number of pupils emigrating was 1,201. An average of 2,800 pupils a year (2,591 in 1965) are exempted from further schooling because they attain age 14 without having completed course or because their absence from home will cause hardship to their parents. An increasingly important cause of decline in the primary school population, especially that in the higher standards, is the admission of pupils from the government primary schools into secondary, technical or private schools the figures for 1965 being 1,616; 298 and 641 respectively.

Attendance:

In the 1965 school year government primary schools went through 334 sessions. These were either morning or afternoon sessions. Of these sessions, the boys missed an average number of 25.5 during the year while the average for the girls stood at 27.5. At almost all grades, attendance rates of boys were fractionally better than those of girls. In Stage I the absence rate was high due to the difficulties of the settling in period for young school entrants. From Standard II the two sets of attendance rates tended to decline with rising grade. As the grade gets higher, so does the age of the child, and this may involve increased liability to meet family commitments and keep away from school, especially in the villages. These family commitments devolve more heavily on girls who, besides, may suffer from greater susceptibility to sickness with the



onset of puberty. In standard IV there was a temporary reversal of the rising trend in absenteeism. This may be attributed to the prospect of sitting the first public examination, namely the secondary and grammar school entrance examination.

#### Class size and Pupil/Teacher ratio:

Since in the government primary schools a class holds together for the duration of the school year, permanently under the charge of one teacher, the pupil/teacher ratio becomes analogous to class size. The size of the average class has been falling for some years. It was 26.5 in 1959, 24.8 in 1961, 23.9 in 1963, 23.3 in 1964 and in 1965 it fell to 22.6. Two factors have been at work: the falling compulsory school-age population and the lag in adjustment of the number of teachers in service. In 1963 the number of teachers increased from 2,068 to 2,074 went back to 2,063 in 1964 and then fell to 2,005 in 1965. It is seen that in recent years, the number of teachers had tended to fluctuate mainly because of difficulty in predicting the number leaving the service during the year and the undesirability of adjusting the inflow of new teachers to match the outflow with its irregularities. On the whole, however, the number of teachers has tended to decline keeping more or less in step with the falling school population.

The average sizes of classes in nearly all grades diminished between 1964 and 1965. The average size of class for each respective grade is largely determined as a matter of policy. At present, the size of class falls sharply after Standard IV so that the average number of pupils per class in Standard VII is less than half that in Stage I.

Analysed by grade or standard, the average size of class generally becomes smaller with rising grade. What the optimum size of class in a primary school should be is a question of interest to the educational administration. Many countries have in their educational laws and regulations certain stipulations regarding the maximum size of classes, but practice is often at variance with these provisions. There are no such provisions in Malta, and the actual figure is smaller than that in most countries. For example, in England and Wales average class size often exceeds 40; in Australia the most usual size of class is between 40 and 45; in the United States the medium class size is between 30 and 32. The increasing need for educational services should, everywhere be reconciled with the need for economy and the use of resources, human or otherwise, so that educational services are rendered where they are needed and in the kind and quality needed, at the lowest possible costs.

Table 3.1.

Grade	1960	1961	1962	1963	1964	1965
Stage I	5,350	4,758	4,902	5,724	5,477	4,846
Stage 2	6,839	6,775	6,506	6,500	6,948	6,556
Standard I	7,474	7,091	7,242	6,706	6,605	6,853
II	8,222	7,632	7,114	7,129	6,726	6,601
III	8,493	7,930	7,359	6,854	6,660	6,354
IV	7,925	7,704	7,220	6,786	6,319	6,084
V	6,143	6,474	6,306	6,045	5,599	5,294
VI	2,735	2,875	3,335	3,239	3,172	2,615
VII	-	137	146	204	301	267
ALL GRADES	53,171	51,376	50,130	49,187	47,807	45,470

Hence the continuing decline in primary school enrolment has to be attributed to various other factors. The compulsory school-age population - reckoned as that aged 6 to 14 years on the 30th June - has been declining at the rate of some 1,600 every year over the last six years. Some 1,000 more leave primary school every year, during the course of the school-year, in order to emigrate with their parents. In 1965, the number of pupils emigrating was 1,201. An average of 2,800 pupils a year (2,591 in 1965) are exempted from further schooling because they attain age 14 without having completed course or because their absence from home will cause hardship to their parents. An increasingly important cause of decline in the primary school population, especially that in the higher standards, is the admission of pupils from the government primary schools into secondary, technical or private schools the figures for 1965 being 1,616; 298 and 641 respectively.

#### Attendance:

In the 1965 school year government primary schools went through 334 sessions. These were either morning or afternoon sessions. Of these sessions, the boys missed an average number of 25.5 during the year while the average for the girls stood at 27.5. At almost all grades, attendance rates of boys were fractionally better than those of girls. In Stage I the absence rate was high due to the difficulties of the settling in period for young school entrants. From Standard II the two sets of attendance rates tended to decline with rising grade. As the grade gets higher, so does the age of the child, and this may involve increased liability to meet family commitments and keep away from school, especially in the villages. These family commitments devolve more heavily on girls who, besides, may suffer from greater susceptibility to sickness with the

## Teachers and other personnel:

In the last five years, the number of headteachers has been about twice the number of school assistants but during 1965 there was a reduction of 2 in the number of headteachers and an increase in the number of school assistants bringing the number of headteachers to 100 and that of school assistants to 70.

In the last few years, school assistants formerly in charge of schools were being replaced by headteachers and it appears that some headteachers are being given the services of a school assistant as the increase in the number of the latter is mainly among those not in charge of a school.

Of particular interest in current educational statistics is the number of teachers in service who have direct control of a class. These may be either on a permanent or a temporary basis. The number of permanent teachers increased from 1,326 to 1,430 during 1964 and went up again to 1,493 in 1965. The temporary teachers decreased from 748 to 638 during 1964 and fell further to 512 in 1965. Some temporary teachers leave the service for other employment, others enter the training college or are appointed on a permanent basis after a short course. They are mainly replaced by graduates of the training colleges so that while the number of permanent teachers tends to increase, that of temporary teachers tends to fall.

The weekly working time of these teachers is  $27\frac{1}{2}$  hours in the winter months and  $18\frac{3}{4}$  hours in the two weeks preceding and the six weeks following the winter months.

## Schools:

Recent trends indicate a reduction in mixed schools and dispersion of pupils into schools which cater for boys only, infants only, or girls and infants together. Seven years ago there were 108 schools; in 1965 there were 113.

Analysed by size, the typical school had a population ranging from 200 to 599 pupils. Small schools housing less than 200 pupils numbered 15; large schools with a population of 800 pupils and more were very few - 3 in 1963.

## Teaching of Italian and French:

The teaching of either of these languages was introduced in the 1963 school year. Pupils in Standard IV and higher standards could opt to be taught either Italian or French or neither of these languages in addition to English

and Maltese. In Standard IV, 89 per cent. of the pupils went in for one of the languages, most of them for Italian. In Standards V and VI, the proportions were 91 per cent. and 81 per cent. respectively. The proportion in Standard VII, nearly 100.0 per cent., is less reliable because it is based on small numbers and it probably does not relate to net enrolment. For both sexes, Italian was far more popular than French, and French was generally more to the liking of girls than of boys. The ratio of those taking Italian to French was as 16 to 1.

#### Free Nourishments:

The School Health Service distributed free nourishment to 88 per cent. of pupils enrolled in government primary schools in 1965. The nourishment consisted either of milk only, or a combination of milk and cod liver oil, or vitamin tablets.

Pupils in Malta were greater beneficiaries than their counterparts in Gozo (89.7 per cent. of pupils in Malta received nourishments, in Gozo the proportion was 75.2 per cent.). Much of the disparity in the proportion is found in the smaller consumption of milk and vitamin tablets in Gozo. Girls availed themselves more of this welfare service both in Malta and in Gozo.

### PART 4 - GOVERNMENT SECONDARY AND TECHNICAL SCHOOLS

#### Enrolment:

The number of pupils enrolled in these schools taken together has more than doubled in the last seven years. It went up from 3,540 in 1959 to 7,470 in 1965. This substantial increase was made possible by utilizing the excess housing capacity of existing school plants, most of them newly built, and by the addition of one secondary technical school for girls in 1959. Most of the increase has been concentrated in technical education which has become exceedingly prominent in recent years as a result of the national drive towards industrial diversification of the private sector of the economy necessitating a wider diffusion of technological knowledge. In 1959 there were twice as many students in secondary grammar schools run by government as in technical schools. In 1965 the figures were nearly equal, with 3,715 in the technical schools (2,629 of which in secondary schools) and 3,755 in the Lyceum/Grammar Schools.

The main building of the Lyceum is at Hamrun and houses 1,315 students. The largest government grammar school for girls is at Blata-l-Bajda and houses 1,302 students. The two other girls' grammar schools in Malta, at Mdina and Sliema, and the one in Gozo house about 300 students each. There are two secondary technical schools for boys with a total of 1,004 students and one for

girls with 901 students. The other seven technical schools, which provide vocational and industrial training, have between them 1,210 students.

The demand for secondary education, which is provided free by the government, is very strong. In 1965, no less than 6,433 (6,205 in 1964) sought admission into government secondary/technical schools, but only 1,563 or 24.4 per cent. qualified. The top 40 in the pass-list were granted scholarships to complete their second level education in a private school of their choice.

#### Class Size and Pupil/Teacher Ratio:

Average class size in 1965 was 24.4 in the government grammar schools compared to 22.7 in the primary schools. There is some indication that class size tends to decline. In the grammar schools, as in the primary schools, the average class size declines as one goes up to higher grades. From an average of 28.2 in Class I, the size declines to 16.5 in Class VI. Just as in the Primary Schools the secondary schools entrance examination breaks the continuity of the course at Standard IV or V, so also in the Grammar Schools there is a discontinuity at Class V, at the end of which students usually sit for the General Certificate of Education at the Ordinary Level. In Class VI students are prepared for the Matriculation examination of the Royal University. Only students intending to proceed to the University take this examination.

The Sixth Form is divided into two categories: Arts and Science. The course for each category lasts two years at the end of which students sit for three General Certificate of Education papers at Advanced Level. The wastage rate is very high. In 1965 there were 97 students in the first year and 29 in the second year of the Sixth Form. This is partly due to a bigger intake in 1964 as compared to 1963. A large proportion of the students entering the Sixth Form later fall out to seek employment or reach the age of admission into the Teacher Training Colleges. Some others attempt the Advanced Level examination half-way through the two-year course.

The average class size in the technical schools during 1965 was 23.4. The decline in average class size from Class I to Class V is even more drastic than in the Grammar Schools, the drop being from 25 to 14.6 in the technical schools as compared to 28.2 to 20.1 in the grammar schools. The wastage rate is such higher in technical schools than in the grammar schools. Only 47 pupils left the technical schools after completing the course in 1965 as compared to 647 in the grammar schools. Of the 708 students who left these schools during the year, 214 failed to complete their courses and 112 emigrated. 264 of those who left were aged 18 years and over, including 24 of those who completed the course. Another reason for the disparity in size between higher and

lower school classes is the tendency for the intake in the technical schools to increase over the years as more new schools are erected or existing ones expanded. As a rule, large numbers facilitate grouping into classes and, up to a certain extent, enable more economical use of the teacher's time.

#### Teachers and other personnel:

The Maltese Islands, like many other countries at a higher stage of development, are faced with a chronic shortage of teachers at the second level. This shortage has become acute in recent years with the explosive expansion in the technical school population. As a result, temporary measures have been taken to bridge the gap between supply and demand. Besides the permanent teachers, there are visiting teachers who may be employed either full-time on a temporary basis or else part-time for a few hours a week. Teachers may also be seconded from the Government Primary Schools or hired from abroad on a contract basis. In the scientific and technical subjects, teachers are aided in practical demonstrations by laboratory or workshop technicians.

There were 275 teachers, in all, in the Lyceum and the Girls' Grammar Schools. Of these, 159 (58 per cent.) were on a permanent basis, 35 (13 per cent.) were seconded from primary schools and the remaining 81 (29 per cent.) were either on a visiting or on a contract basis.

In the secondary technical schools there were 192 teachers, of whom 71 (37 per cent.) were permanent, 52 (27 per cent.) were temporary or seconded from Primary Schools while 69 (36 per cent.) were either on contract or visitors. These teachers were assisted by 11 technicians.

#### Vocational and Industrial Training:

Apart from secondary technical education which is of a general nature and aims at preparing students for a higher level of instruction, in Malta, as in most industrial countries, there are technical schools and industrial training centres which aim at preparing their pupils for a particular trade or occupation.

During 1965, the new Technical Institute at Paola started functioning and the Nautical and Tailoring Schools were transferred to it from Msida. At the end of 1965 it housed 270 students. The old institute at Hamrun still housed 258 students and there were another 221 students in a school at Imriehel and 33 in Gozo. Besides this total of 782 students receiving instruction in various trades there were 304 pupils at the Marsa Apprenticeship School where

apprentices receive part-time instruction in their trades on a day release system. There are also two industrial training centres, one in Malta with 225 trainees and one in Gozo with 35.

There were 111 teachers imparting this type of education. Of these 47 (42.4 per cent.) were permanent, 14 (12.6 per cent.) were temporary or seconded from primary schools while the remaining 50 (45 per cent.) were on contract or on a visiting basis. There were also 7 technicians.

#### Admission examinations:

Pupils seeking admission to the government grammar schools or the secondary technical schools have, since 1961, to sit for the same examinations, which are also the basis on which 40 government scholarships, to be held in private schools, are awarded.

These examinations consist of tests in English and Arithmetic and an interview. Pupils between the ages of 10 and 14 are eligible. The number of pupils sitting these examinations was 6,433 in 1965. Of these, 1,563 or 24.2 per cent. were successful as compared to 22.6 per cent. last year. The bulk of those who got through were aged 12 or 13 last birthday on the 30th September, 1964. Those aged 11 years accounted for 20 per cent. of the passes.

Best results are obtained by pupils presented by their school. Out of 2,720 such pupils 1,342 or 50 per cent. were successful while out of 3,713 not presented by their school only 221 or 5.9 per cent. were successful.

Pupils from Government schools fared relatively worse than those from private schools. The proportions of successful candidates from those who sat were 32.4 per cent. and 23.8 per cent. respectively for boys and 27.4 per cent. and 24.4 per cent. respectively for girls. Most of the failures of pupils from government schools were concentrated among those who were not presented by their school while most of the successful ones came from the fifth grade.

As regards the distribution of marks, the results for boys in English show two peaks in the ranges 0-9 and 50-59. The desire to avoid border line cases may partly account for this. The results for girls in the same subject are more like a normal distribution skewed towards lower marks though there is again a fall in frequency for the range of marks between 40 and 49. The distribution of marks for arithmetic shows maximum frequency in the 0-9 range and their frequency declines more or less exponentially, the frequency falling more sharply for boys than for girls as the higher marks are reached. It is interesting to note that for boys and girls the total number of marks (as contrasted

with the frequency with which particular marks occurred) reaches a peak in the 50-59 range. The distribution of marks for candidates from Gozo, being made up of small numbers, shows more clearly the decline in number of pupils as one goes from the 0-9 to the 40-49 range and then a sharp rise at this point followed by a sharper decline.

## PART 5 - PRIVATE SCHOOLS

### Enrolment:

These schools are operated by private organisations, mostly religious bodies, but the type of education they impart is on similar lines to that imparted in the Government schools and they are generally open to anybody who is prepared to pay the relevant fees. Some of the schools may be selective in the age and in the educational attainments of new entrants but these restrictions are of minor importance. All levels of education from the nursery level up to but not including, the third level are catered for by private schools in Malta. Some of the schools may have as many as three levels run concurrently in one school plant.

Total enrolment in private schools went up from 17,139 in 1959/60 to 17,990 in 1962/63 but has since tended to decline. In 1965 the total enrolment was 17,370. Of these, 16 per cent. or 2,776 were at the nursery level, 32.3 per cent. or 5,603 were in infant classes, 24.6 per cent. or 4,291 were in primary classes while 27.1 per cent. or 4,700 were at the secondary level. Only in the primary classes were there more girls than boys enrolled. The total number of boys exceeded that of girls by 618.

The main contribution of the private schools is at the second level. While 79.5 per cent. of the total enrolment at the first level was in Government schools, the share of the government at the second level fell to 57.5 per cent. In view of the fact that private schools have practically no part in technical education, the difference in percentages is quite significant. It appears that there is considerable room for expansion at the second level, the limiting factor being cost. An important function of private schools is the provision of nursery education. This type of education is important in helping the child to adapt from the freedom of home life to the necessary regimen of formal school. Nursery education is not provided in Government schools.

### Class size and pupil/teacher ratio:

A comparison of average class size between private schools and Government schools at the nursery, primary and secondary levels is given in table 5.1.



apprentices receive part-time instruction in their trades on a day release system. There are also two industrial training centres, one in Malta with 225 trainees and one in Gozo with 35.

There were 111 teachers imparting this type of education. Of these 47 (42.4 per cent.) were permanent, 14 (12.6 per cent.) were temporary or seconded from primary schools while the remaining 50 (45 per cent.) were on contract or on a visiting basis. There were also 7 technicians.

#### Admission examinations:

Pupils seeking admission to the government grammar schools or the secondary technical schools have, since 1961, to sit for the same examinations, which are also the basis on which 40 government scholarships, to be held in private schools, are awarded.

These examinations consist of tests in English and Arithmetic and an interview. Pupils between the ages of 10 and 14 are eligible. The number of pupils sitting these examinations was 6,433 in 1965. Of these, 1,563 or 24.2 per cent. were successful as compared to 22.6 per cent. last year. The bulk of those who got through were aged 12 or 13 last birthday on the 30th September, 1964. Those aged 11 years accounted for 20 per cent. of the passes.

Best results are obtained by pupils presented by their school. Out of 2,720 such pupils 1,342 or 50 per cent. were successful while out of 3,713 not presented by their school only 221 or 5.9 per cent. were successful.

Pupils from Government schools fared relatively worse than those from private schools. The proportions of successful candidates from those who sat were 32.4 per cent. and 23.8 per cent. respectively for boys and 27.4 per cent. and 24.4 per cent. respectively for girls. Most of the failures of pupils from government schools were concentrated among those who were not presented by their school while most of the successful ones came from the fifth grade.

As regards the distribution of marks, the results for boys in English show two peaks in the ranges 0-9 and 50-59. The desire to avoid border line cases may partly account for this. The results for girls in the same subject are more like a normal distribution skewed towards lower marks though there is again a fall in frequency for the range of marks between 40 and 49. The distribution of marks for arithmetic shows maximum frequency in the 0-9 range and their frequency declines more or less exponentially, the frequency falling more sharply for boys than for girls as the higher marks are reached. It is interesting to note that for boys and girls the total number of marks (as contrasted

While class size has been declining continuously in the Government primary schools during the last 5 years, its tendency to rise at the primary level in private schools has been reversed in the last 2 years as shown by the figures of 29.9 in 1960 and 30.8, 31.0, 31.0, 30.1 and 26.8 in successive years. At the secondary level, there is a tendency for changes in class size of Government and private schools to be in opposite directions. Class size at this level was 25.2 and 24.8 in Government and private schools, respectively in 1960; the figures changed to 24.4 and 26.0 five years later. Increased demand for private school education and a desire to maximise the difference between total receipts and total costs may account for the rises in average class size in the private schools. A comparison cannot be made at the nursery level for this type of education is provided only in the private schools. Class size at the nursery level has been slipping in the last five years (39.9 in 1960, 37.5, 35.3, 36.6, 33.3 and 33.0 in the following years). Taking all levels together it results that average class size in 1965 was the smallest since 1959 in both Government and private schools.

AVERAGE NUMBER OF PUPILS PER CLASS IN GOVERNMENT AND PRIVATE SCHOOLS, 1960-65

Table 5.1.

Level	School Year			
	1960	1962	1964	1965
<u>Nursery</u>				
Government schools				
Private schools	39.9	36.3	33.3	33.0
<u>Primary</u>				
Government schools	25.6	24.5	23.3	22.6
Private schools	29.9	31.0	30.1	26.8
<u>Secondary</u>				
Government schools	25.2	24.1	24.6	24.4
Private schools	24.8	27.0	30.9	26.0
<u>All Levels</u>				
Government schools	25.6	24.5	23.3	22.7
Private schools	29.9	30.5	29.2	29.0

Fig. 2.

Enrolment in Government Primary Schools and  
in Primary Classes in Private Schools

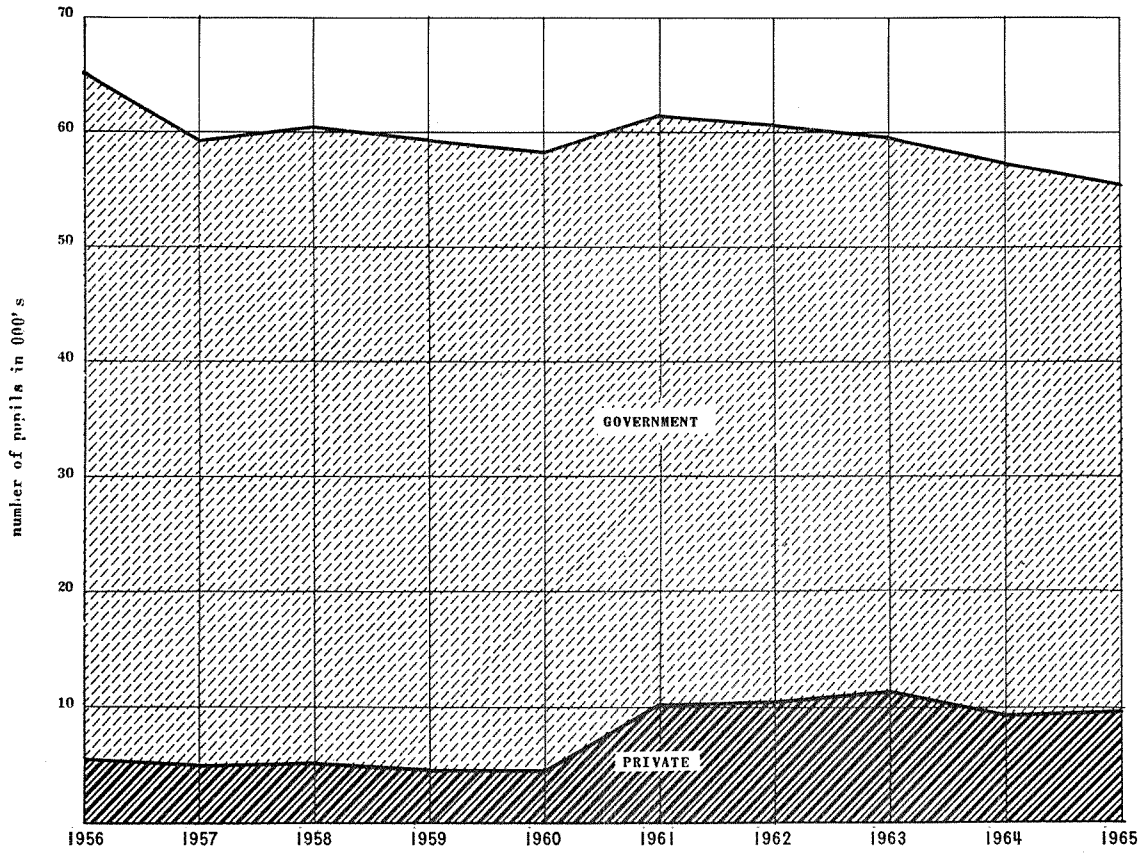
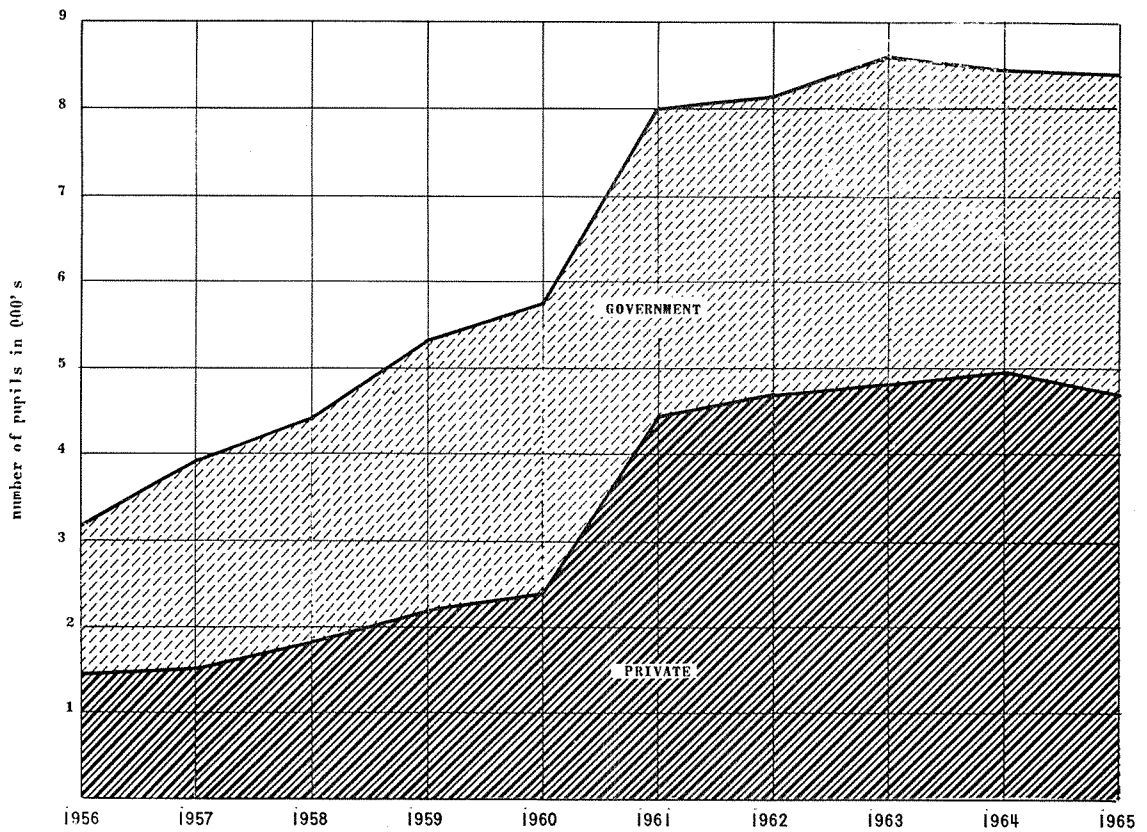


Fig. 3.

Enrolment in Government Secondary Schools  
and in Secondary Classes in Private Schools



Little can be said about the pupil/teacher ratio in private schools since information on the teaching staff employed in some private schools does not differentiate between nursery, primary and secondary levels. The overall ratios for all levels in the private schools were 22.2, 22.7, 22.2, 21.8, 20.6 and 20.4 in the last six years. These figures were higher than the ratios in the Government grammar and secondary technical schools but lower than those in the Government primary schools.

#### Schools and teachers:

There are 82 private schools of which 77 are in Malta. These are housed in 86 buildings with a total of 1,009 rooms of which 628 are classrooms. A number of them provide schooling at the nursery and infant levels. In all the schools teachers in service numbered 852. The backbone of this teaching force is composed of religious persons. In 1965, the private schools employed 199 priests and monks and 328 nuns. In addition to these there were 325 lay teachers, of whom 245, that is 75.5 per cent., were females. The ratio of permanent to temporary teachers was higher than in the government schools mainly because most of the teachers belong to the same institutions that own or run the schools. There were 701 permanent and 151 visiting teachers working in private schools during the 1964/65 school year.

### PART 6 - HIGHER EDUCATION

#### The University:

There were 547 regular students, of whom 447 men, at the commencement of the 1964/65 academic year, i.e., on October 1, 1964. In addition, there were 50 occasional students. An analysis of regular students by faculty shows that 19 were reading theology, 17 laws, 65 medicine and surgery, 2 dental surgery, 15 engineering and architecture, 213 arts including education and public administration and 216 science, including pharmacy.

The teaching staff of 107 comprised 25 professors, 54 lecturers and 17 demonstrators. Most of these, including the professors, work on a part-time basis. There were, in addition, 11 teachers from M.C.A.S.T. lecturing at the University.

Revenue consisted of £26,850 from registration fees and £161,000 in the form of a Government grant. Expenditure amounted to £171,121 of which £123,927 went into personal emoluments.

## The Polytechnic:

During 1964/65 the Malta College of Arts, Science and Technology was making full use of the completed part, about half, of its new premises at Msida. These buildings are designed to accommodate 850 students and have a floor area of 250,000 square feet.

In 1965, there were approximately 500 students enrolled in the Departments of Civil, Electrical and Mechanical Engineering and Science. Enrolment was mostly on a part-time basis and students were able to attend sandwich, evening and other short courses. During the year, students were also admitted into the new courses leading to the B.Sc. Eng. degree of the Royal University of Malta. The lecturing staff numbered about 45, the majority being part-time, locally recruited graduates working under the supervision of a U.N.E.S.C.O. team of experts.

## Teacher training colleges:

There are two teacher training colleges; St. Michael's for men and Mater Admirabilis for women. After two years full-time training on a residential basis, students from these colleges graduate and are appointed teachers, on a permanent basis, in the Government primary schools. During 1964/65 there were 130 men and 260 women at these colleges. The higher enrolment of women is made necessary by the higher demand for female teaching staff which has a high wastage rate due to the requirement that female teachers resign from their appointment on getting married.

## PART 7 - OTHER FORMS OF EDUCATION

### Schools for the physically handicapped:

An important social service that is rendered by any enlightened society is the provision of special educational and training facilities for those unfortunate children who cannot benefit from the conventional education made available for normal children.

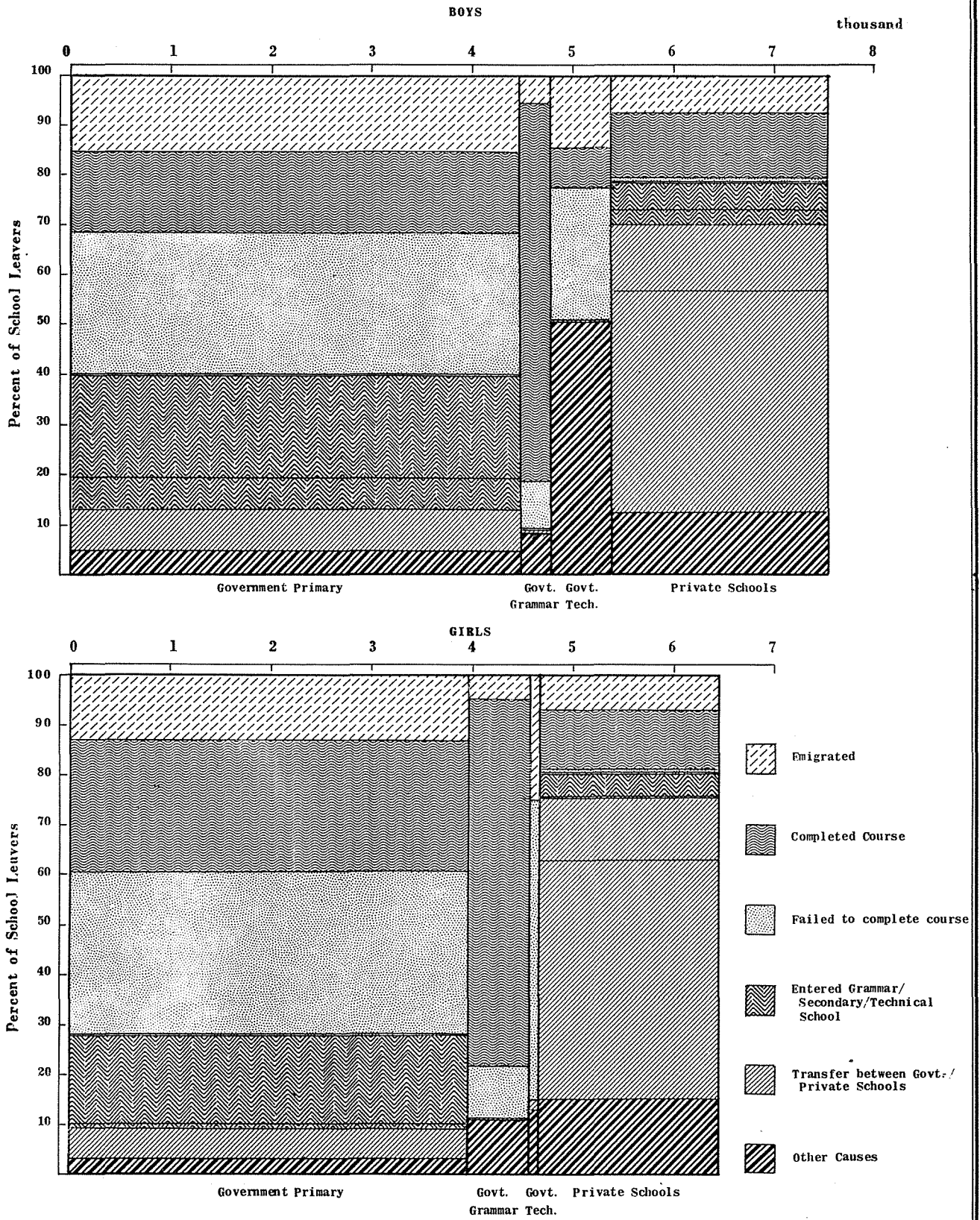
In Malta, facilities were available in 1965 for the mentally handicapped, the educationally sub-normal, the deaf and the blind. There were three schools for the mentally retarded or handicapped with four classes each and a total enrolment of 111 pupils under the care of 6 male and 8 female teachers. The physically handicapped were catered for by one private and by two Government establishments having 43 pupils on the register and a total of 11 classes run by 6 male and 5 female teachers. All the teachers were specially trained and had qualifications acquired abroad.

## Evening classes:

In 1965 a total of 6,053 student courses, i.e. the number of students multiplied by average number of subjects taken by each student, were conducted in the evenings by 202 teachers. There is a wide variety of subjects offered, ranging from pig husbandry and poultry keeping to principles of law and thermodynamics. These classes are meant to serve as a means of self-improvement for those who are unable, for a variety of reasons, to attend full-time day courses in their trade or calling. The importance and popularity of this type of education is bound to increase as these islands industrialize and as the general level of education rises. Education is a life process and at all levels it is necessary to keep moving forward to avoid falling back.

Fig. 4.

SCHOOL LEAVERS 1965



## **TABLES**



GOVT. PRIMARY SCHOOLS

GOVERNMENT INFANT AND PRIMARY SCHOOLS CLASSIFIED BY TYPE OF SCHOOL: 1963/64 - 1964/65

Table 1.

Type of School	Survey: 1963/64		
	Maltese Islands	Malta	Gozo
1. Infants	11	11	-
2. Boys	33	28	5
3. Girls	12	12	-
4. Boys/Girls	1	-	1
5. Girls/Infants	25	20	5
6. Boys/Infants	1	1	-
7. Boys/Girls/Infants	29	22	7
<b>TOTAL</b>	<b>112</b>	<b>94</b>	<b>18</b>
Type of School	Survey: 1964/65		
	Maltese Islands	Malta	Gozo
1. Infants	12	11	1
2. Boys	32	27	5
3. Girls	11	10	1
4. Boys/Girls	1	-	1
5. Girls/Infants	26	22	4
6. Boys/Infants	2	2	-
7. Boys/Girls/Infants	29	22	7
<b>TOTAL</b>	<b>113</b>	<b>94</b>	<b>19</b>

TEACHING STAFF, CLASSES AND SCHOOL POPULATION BY LOCALITY AND TYPE: 30th JUNE, 1965

Table 2.

School:		Head		School Assistants				Teachers				Classes			No. of Pupils
		Teachers		i/c School		not i/c School		Permanent		Temporary		Boys	Girls	Mixed	
Locality	Type	M	F	M	F	M	F	M	F	M	F	Boys	Girls	Mixed	
MALTESE ISLANDS	All Types	53	47	11	3	35	21	558	935	224	288	952	895	168	45,470
MALTA	All Types	46	42	5	2	34	21	459	804	223	287	852	797	133	40,827
GOZO	All Types	7	5	6	1	1	-	99	131	1	1	100	98	35	4,643
URBAN CENTRAL:															
Floriana	Boys	1	-	-	-	1	-	8	1	5	-	13	-	1	274
	Girls/Infants	-	1	-	-	-	-	-	17	-	1	2	15	1	406
Valletta (St.Elmo)	Girls/Infants	-	1	-	-	-	2	-	23	-	5	5	22	1	624
" (Baviera)	Boys	1	-	-	-	2	-	15	3	8	-	26	-	-	572
" (Old Mint)	Girls/Infants	-	1	-	-	-	-	-	11	-	6	2	14	1	375
URBAN EAST:															
Cospicua	Boys	1	-	-	-	2	-	13	-	12	-	24	-	-	545
	Girls	-	1	-	-	-	1	-	15	-	6	-	22	-	525
	Infants	-	1	-	-	-	-	-	8	-	5	5	6	2	330
Senglea	Boys	1	-	-	-	1	-	7	-	7	-	14	-	-	335
	Girls/Infants	-	1	-	-	-	-	-	13	-	9	-	12	10	553
Vittoriosa	Boys	1	-	-	-	-	-	12	-	-	-	11	-	-	200
	Girls/Infants	-	1	-	-	-	-	-	12	-	6	2	14	2	374
URBAN WEST:															
Hamrun	Infants	-	1	-	-	-	-	-	10	-	1	5	4	2	313
	Boys (2 Schools)	2	-	-	-	2	-	40	2	8	-	47	-	-	1,080
	Girls	-	1	-	-	-	1	-	17	-	9	-	25	-	586
	Girls/Infants	-	1	-	-	-	-	-	4	-	10	5	23	2	724
St. Venera	Boys/Girls/Infants	1	-	-	-	-	1	7	10	3	2	13	11	-	471
Marsa	Infants	-	1	-	-	-	-	-	13	-	5	9	9	-	463
	Boys	1	-	-	-	2	-	20	-	13	-	34	-	-	721
	Girls	-	1	-	-	-	1	-	31	-	-	-	31	-	709
Pieta'	Boys/Girls/Infants	1	-	-	-	-	-	4	8	3	2	9	8	-	329
SUBURBAN NORTH:															
Gzira	Girls/Infants	-	1	-	-	-	-	-	15	-	6	3	17	1	503
	Boys	1	-	-	-	1	-	13	-	4	-	17	-	-	362
Msida	Boys	1	-	-	-	1	-	12	-	2	-	14	-	-	282
	Girls/Infants	-	1	-	-	-	-	-	20	-	5	3	20	1	540
St. Julian's	Boys/Girls/Infants	1	-	-	-	-	1	9	14	-	-	11	10	2	523
" (Rosary)	Girls/Infants	-	1	-	-	-	-	-	13	-	2	2	13	-	312
Sliema	Boys	1	-	-	-	2	-	19	1	6	-	25	-	-	572
	Girls/Infants	-	1	-	1	-	-	-	22	-	1	3	19	-	504
Msiehan	Boys/Girls/Infants	1	-	-	-	-	-	1	3	4	4	8	2	2	211

GOVT. PRIMARY SCHOOLS

TEACHING STAFF, CLASSES AND SCHOOL POPULATION BY LOCALITY AND TYPE: 30TH JUNE, 1965

Table 2. (Contd.)

School		Head Teachers		School Assistants				Teachers				Classes			No. of Pupils
				i/c School		not i/c School		Permanent		Temporary					
Locality	Type	M	F	M	F	M	F	M	F	M	F	Boys	Girls	Mixed	
<b>SUBURBAN SOUTH:</b>															
Paola	Infants	-	1	-	-	-	-	-	13	-	5	9	7	2	474
	Boys	1	-	-	-	2	-	27	-	6	-	34	-	-	819
Tarkien	Girls	-	1	-	-	-	1	-	21	-	6	-	28	-	670
	Boys	1	-	-	-	-	-	12	-	3	-	15	-	-	306
Zabbar	Girls/Infants	-	1	-	-	-	-	-	15	-	8	5	15	1	497
	Infants	-	1	-	-	-	-	-	7	-	10	4	4	9	494
	Boys	1	-	-	-	2	-	16	-	15	-	28	-	-	645
M'Shefa	Girls	-	1	-	-	-	1	-	17	-	9	-	26	-	634
	Boys/Girls/Infants	-	-	1	-	-	-	1	2	-	4	-	-	7	115
Kalkara	Boys/Girls/Infants	1	-	-	-	-	2	1	9	1	-	5	5	2	260
Luqa	Boys	1	-	-	-	1	-	9	-	2	1	6	-	-	244
	Girls/Infants	-	1	-	-	-	-	-	25	-	4	3	14	1	437
Fgura	Boys/Girls/Infants	1	-	-	-	1	-	3	6	2	5	5	6	5	292
<b>CENTRAL:</b>															
Aqtand	Boys/Girls/Infants	1	-	-	-	-	-	2	5	2	-	1	2	6	176
	Infants	-	1	-	-	-	-	-	18	-	7	8	6	10	621
Bakkaa	Boys	1	-	-	-	2	-	29	-	10	-	37	-	-	879
	Girls	-	1	-	-	-	2	-	36	-	5	-	41	-	961
Lija	Boys	1	-	-	-	-	-	11	-	-	-	11	-	-	209
	Girls/Infants	-	1	-	-	-	-	-	16	-	-	2	12	2	351
Qasbi	Infants	-	1	-	-	-	-	-	17	-	-	9	7	1	456
	Boys	2	-	-	-	2	-	20	1	2	-	45	-	-	1,043
	Girls	-	1	-	-	-	1	-	17	-	9	-	26	-	596
Qasbi	Girls/Infants	-	1	-	-	-	1	-	16	-	13	9	24	-	746
<b>SOUTHERN:</b>															
B'Bugia	Boys	1	-	-	-	1	-	7	-	9	-	15	-	-	325
	Girls/Infants	-	1	-	-	-	-	-	10	-	11	3	17	1	499
M'Xjokk	Boys/Girls/Infants	1	-	-	-	-	-	2	4	1	5	4	4	4	231
Ghaxaq	Boys/Girls/Infants	1	-	-	-	-	1	3	10	4	6	8	7	8	579
Gudja	Boys/Girls/Infants	1	-	-	-	-	-	3	7	1	2	6	5	2	303
Zejtun	Infants	-	1	-	-	-	-	-	11	-	5	8	8	-	421
	Boys	1	-	-	-	2	-	16	1	12	-	30	-	-	721
	Girls	-	1	-	-	-	1	-	10	-	13	-	30	-	696
Qrandi	Boys/Girls/Infants	1	-	-	-	-	1	5	4	2	7	6	6	2	308
Zwieleq	Infants	-	1	-	-	-	-	-	6	-	6	6	5	1	359
	Boys	1	-	-	-	1	-	9	-	13	-	23	-	-	493
Kirkop	Girls	-	1	-	-	-	-	-	19	-	3	-	22	-	481
	Boys/Girls/Infants	1	-	-	-	-	-	2	4	2	4	5	5	2	223
Mqabba	Boys/Girls/Infants	1	-	-	1	-	-	3	8	2	5	7	6	5	383
Safi	Boys/Girls/Infants	-	-	1	-	-	-	1	4	1	1	1	1	5	107
<b>WESTERN:</b>															
Rapat	Infants	-	1	-	-	-	-	-	17	-	-	8	7	2	428

## TEACHING STAFF, CLASSES AND SCHOOL POPULATION BY LOCALITY AND TYPE: 30TH JUNE, 1965

Table 2. (Contd.)

School		Head		School Assistants				Teachers				Classes			No. of Pupils
		Teachers		i/c School		not i/c School		Permanent		Temporary		Boys	Girls	Mixed	
Locality	Type	M	F	M	F	M	F	M	F	M	F	Boys	Girls	Mixed	Pupils
<b>WESTERN (CONTD.):</b>															
Rabat (Contd.)	Boys	1	-	-	-	2	-	18	5	10	-	32	-	-	766
	Girls	-	1	-	-	-	1	-	23	-	-	-	23	-	581
Dingli	Boys/Girls/Infants	1	-	-	-	1	-	5	7	1	2	7	7	1	328
Siggiewi	Boys	1	-	-	-	-	-	10	-	5	-	15	-	-	320
	Girls/Infants	-	1	-	-	-	-	-	14	-	8	4	18	-	535
Zebbug	Infants	-	1	-	-	-	-	-	11	-	5	7	7	1	395
	Boys	1	-	-	-	1	-	12	4	8	1	24	-	-	530
	Girls	-	1	-	-	-	-	-	19	-	3	-	22	-	532
Bahrija	Boys/Girls/Infants	-	-	1	-	-	-	-	3	1	1	2	-	6	75
Ghemieri	Boys/Girls/Infants	-	-	1	-	-	-	-	2	-	1	-	-	4	85
Mtahleb	Boys/Girls/Infants	1	-	-	-	-	-	1	5	1	1	-	-	8	111
Fawwara	Boys/Girls/Infants	-	-	1	-	-	-	1	-	-	-	-	-	3	22
<b>NORTHERN:</b>															
Mellieha	Boys	1	-	-	-	-	-	10	-	2	-	12	-	-	295
	Girls/Infants	-	1	-	-	-	-	-	13	-	5	2	15	1	439
Mgarr	Boys/Girls/Infants	1	-	-	-	-	1	4	6	3	5	9	9	-	421
Ghanghur	Boys/Girls/Infants	1	-	-	-	1	-	4	5	1	4	7	7	-	312
Naxxar	Girls/Infants	-	1	-	-	-	-	-	7	-	8	-	14	1	341
	Boys/Infants	1	-	-	-	-	-	11	2	2	1	15	-	-	324
Mosta	Girls/Infants	-	1	-	-	-	1	-	23	-	1	2	21	1	608
	Boys/Infants	1	-	-	-	1	-	15	5	1	-	21	-	-	512
St. Paul's Bay	Boys	1	-	-	-	-	-	6	-	4	-	10	-	-	196
	Girls/Infants	-	1	-	-	-	-	-	12	-	2	2	11	1	299
<b>GOZO:</b>															
Ghajnsielem	Boys/Girls/Infants	1	-	-	-	-	-	8	9	-	-	9	8	-	337
Comino	Boys/Girls	-	-	1	-	-	-	-	-	-	-	-	-	1	7
Ghar	Boys/Girls/Infants	-	-	1	-	-	-	4	6	-	-	3	2	5	130
St. Lawrence	Boys/Girls/Infants	-	-	1	-	-	-	3	2	-	-	1	-	6	64
Kercen	Boys/Girls/Infants	1	-	-	-	-	-	5	7	-	-	4	4	4	218
	Boys	1	-	-	-	-	-	14	-	-	-	14	-	-	334
	Girls/Infants	-	1	-	-	-	-	-	19	-	-	2	16	1	395
Qala	Boys	-	-	1	-	-	-	6	-	-	-	6	-	-	88
	Girls/Infants	-	1	-	-	-	-	-	7	-	1	-	6	2	159
Sannat	Boys/Girls/Infants	-	-	1	-	-	-	7	11	-	-	8	9	1	397
Victoria	Boys	1	-	-	-	1	-	17	-	-	-	17	-	-	346
	Girls	-	1	-	-	-	-	-	15	-	-	-	14	-	283
	Infants	-	1	-	-	-	-	-	12	-	-	4	8	-	323
Xaghra	Boys	1	-	-	-	-	-	13	-	1	-	13	-	-	295
	Girls/Infants	-	-	-	1	-	-	-	18	-	-	1	15	2	403
Xewkija	Boys	1	-	-	-	-	-	13	-	-	-	12	-	-	236
	Girls/Infants	-	1	-	-	-	-	-	18	-	-	3	13	2	411
Zebbug	Boys/Girls/Infants	1	-	-	-	-	-	6	5	-	-	3	3	5	160
Ghasri	Boys/Girls/Infants	-	-	1	-	-	-	3	2	-	-	-	-	6	57

GOVT. PRIMARY SCHOOLS

NUMBER OF SCHOOLS CLASSIFIED BY TYPE OF SCHOOL AND RANGE OF PUPILS: 30TH JUNE, 1965

Table 3.

Type of School	Under 200	200 to 399	400 to 599	600 to 799	800 to 999	1,000 to 1,199	1,200 to 2,399	2,400 to 2,599	Total
<b>ALL TYPES:</b>									
Maltese Islands	15	46	36	13	3	-	-	-	113
Malta	8	36	34	13	3	-	-	-	94
Gozo	7	10	2	-	-	-	-	-	19
<b>INFANTS:</b>									
Malta	-	4	6	1	-	-	-	-	11
Gozo	-	1	-	-	-	-	-	-	1
<b>BOYS:</b>									
Malta	1	12	6	5	2	-	-	-	26
Gozo	1	4	-	-	-	-	-	-	5
<b>GIRLS:</b>									
Malta	-	-	6	4	1	-	-	-	11
Gozo	-	1	-	-	-	-	-	-	1
<b>BOYS/GIRLS:</b>									
Malta	-	-	-	-	-	-	-	-	-
Gozo	1	-	-	-	-	-	-	-	1
<b>GIRLS/INFANTS:</b>									
Malta	-	8	11	3	-	-	-	-	22
Gozo	1	1	2	-	-	-	-	-	4
<b>BOYS/INFANTS:</b>									
Malta	-	1	1	-	-	-	-	-	2
Gozo	-	-	-	-	-	-	-	-	-
<b>BOYS/GIRLS/INFANTS:</b>									
Malta	7	11	4	-	-	-	-	-	22
Gozo	4	3	-	-	-	-	-	-	7

PUPILS CLASSIFIED BY LOCALITY OF SCHOOLS, AGE AND SEX: 30TH JUNE, 1965

Table 4.

Locality		Age										Total
		5	6	7	8	9	10	11	12	13	14 & over	
MALTESE ISLANDS	T	19	4,158	5,728	5,790	5,755	5,957	5,835	5,322	4,597	2,309	45,470
	B	6	2,044	2,953	2,939	2,982	3,027	2,959	2,676	2,296	1,415	23,297
	G	13	2,114	2,775	2,851	2,773	2,930	2,876	2,646	2,301	894	22,173
MALTA	T	19	3,608	5,144	5,202	5,220	5,334	5,286	4,746	4,152	2,116	40,827
	B	6	1,784	2,679	2,655	2,709	2,702	2,678	2,397	2,032	1,297	20,939
	G	13	1,824	2,465	2,547	2,511	2,632	2,608	2,349	2,120	819	19,888
GOZO	T	-	550	584	588	535	623	549	576	445	193	4,643
	B	-	260	274	284	273	325	281	279	264	118	2,358
	G	-	290	310	304	262	298	268	297	181	75	2,285
M A L T A:												
URBAN CENTRAL:												
Floriana	T	-	56	76	92	92	91	82	74	55	62	680
	B	-	28	31	48	45	42	36	46	28	28	332
	G	-	28	45	44	47	49	46	28	27	34	348
Valletta	T	4	165	176	161	198	206	223	192	160	86	1,571
	B	-	95	85	82	84	110	104	96	75	54	785
	G	4	70	91	79	114	96	119	96	85	32	786
URBAN EAST:												
Cospicua	T	-	107	154	163	206	179	155	159	183	94	1,400
	B	-	53	70	70	115	91	78	84	77	59	697
	G	-	54	84	93	91	88	77	75	106	35	703
Senglea	T	-	97	135	91	98	126	109	110	80	42	888
	B	-	53	76	49	50	60	65	62	38	27	480
	G	-	44	59	42	48	66	44	48	42	15	408
Vittoriosa	T	-	59	73	83	76	68	70	63	51	31	574
	B	-	26	33	33	42	22	37	28	24	24	269
	G	-	33	40	50	34	46	33	35	27	7	305
URBAN WEST:												
Hamrun	T	-	172	362	319	344	369	356	325	275	181	2,703
	B	-	81	174	175	201	173	188	172	141	100	1,405
	G	-	91	188	144	143	196	168	153	134	81	1,298
Sta. Venera	T	-	20	73	65	47	52	84	62	46	22	471
	B	-	13	25	36	29	25	38	34	27	15	242
	G	-	7	48	29	18	27	46	28	19	7	229
Marsa	T	1	186	203	256	253	219	249	219	214	93	1,893
	B	1	78	113	131	141	105	136	119	87	48	959
	G	-	108	90	125	112	114	113	100	127	45	934
Pietà <sup>1</sup>	T	-	32	43	50	38	41	36	50	26	13	329
	B	-	21	21	27	20	29	26	35	16	7	202
	G	-	11	22	23	18	12	10	15	10	6	127
SUBURBAN NORTH:												
Gzira	T	-	77	92	111	106	112	117	103	82	65	865
	B	-	42	57	64	48	62	58	44	40	38	453
	G	-	35	35	47	58	50	59	59	42	27	412

GOVT. PRIMARY SCHOOLS

PUPILS CLASSIFIED BY LOCALITY OF SCHOOL, AGE AND SEX: 30TH JUNE, 1965

Table 4 (contd.)

Locality		Age										Total
		5	6	7	8	9	10	11	12	13	14 & over	
<b>SUBURBAN NORTH (CONTD.)</b>												
Msida	T	1	74	120	91	98	96	114	86	74	68	822
	B	1	29	54	47	37	43	51	36	34	41	373
	G	-	45	66	44	61	53	63	50	40	27	449
St. Julian's	T	-	94	110	99	98	112	111	101	66	44	835
	B	-	42	69	36	37	40	36	34	28	21	343
	G	-	52	41	63	61	72	75	67	38	23	492
Sliema	T	-	51	91	86	172	154	157	149	131	85	1,076
	B	-	26	53	49	99	100	95	84	75	71	652
	G	-	25	38	37	73	54	62	65	56	14	424
Msierah	T	-	23	28	44	33	27	24	15	12	5	211
	B	-	11	19	23	18	17	19	15	12	5	139
	G	-	12	9	21	15	10	5	-	-	-	72
<b>SUBURBAN SOUTH:</b>												
Paola	T	-	143	241	262	244	280	254	191	203	145	1,963
	B	-	79	123	138	146	159	124	103	99	101	1,072
	G	-	64	118	124	98	121	130	88	104	44	891
Tarxien	T	-	76	104	97	103	99	114	95	80	35	803
	B	-	44	61	61	61	53	62	42	42	18	444
	G	-	32	43	36	42	46	52	53	38	17	359
Zabbar	T	-	152	224	221	214	243	238	199	192	90	1,773
	B	-	77	116	110	123	119	120	96	85	55	901
	G	-	75	108	111	91	124	118	103	107	36	872
Marsaskala	T	-	9	12	21	15	19	13	12	13	1	115
	B	-	7	6	16	8	9	6	8	5	1	66
	G	-	2	6	5	7	10	7	4	8	-	49
Kalkara	T	-	31	43	32	31	33	35	25	26	4	260
	B	-	10	24	14	14	19	14	14	15	3	127
	G	-	21	19	18	17	14	21	11	11	1	133
Luqa	T	-	79	89	93	83	93	90	70	72	12	681
	B	-	41	49	42	53	38	49	34	32	1	339
	G	-	38	40	51	30	55	41	36	40	11	342
Fgura	T	-	32	34	42	33	32	31	61	22	5	292
	B	-	15	14	22	24	18	10	15	7	4	129
	G	-	17	20	20	9	14	21	46	15	1	163
<b>CENTRAL:</b>												
Attard	T	6	18	25	19	31	21	19	15	15	7	176
	B	3	8	14	5	19	14	12	5	8	4	92
	G	3	10	11	14	12	7	7	10	7	3	84
Birkirkara	T	-	128	322	354	309	320	314	312	264	138	2,461
	B	-	58	166	177	131	153	160	163	106	81	1,195
	G	-	70	156	177	178	167	154	149	158	57	1,266

PUPILS CLASSIFIED BY LOCALITY OF SCHOOL, AGE AND SEX: 30TH JUNE, 1965

Table 4 (contd.)

Locality		Age										Total
		5	6	7	8	9	10	11	12	13	14 & Over	
CENTRAL (CONTD.)												
Lija	T	1	24	72	72	79	74	81	73	56	28	560
	B	-	13	44	39	43	38	31	33	21	13	275
	G	1	11	28	33	36	36	50	40	35	15	285
Qorai	T	-	248	405	360	382	357	334	326	314	115	2,841
	B	-	130	235	176	193	183	168	174	152	74	1,485
	G	-	118	170	184	189	174	166	152	162	41	1,356
SOUTHERN:												
B <sup>o</sup> Bugia	T	-	73	96	120	96	102	128	91	83	35	824
	B	-	27	53	52	44	45	74	53	43	15	406
	G	-	46	43	68	52	57	54	38	40	20	418
M <sup>o</sup> Xlokk	T	-	28	36	25	30	27	39	25	19	2	231
	B	-	17	20	16	14	12	20	11	8	1	119
	G	-	11	16	9	16	15	19	14	11	1	112
Ghaxaq	T	-	54	62	76	66	80	65	70	69	37	579
	B	-	24	36	43	31	41	35	36	35	21	302
	G	-	30	26	33	35	39	30	34	34	16	277
Gudja	T	-	30	50	41	43	39	38	36	25	1	303
	B	-	17	24	24	25	13	20	22	18	1	164
	G	-	13	26	17	18	26	18	14	7	-	139
Zejtan	T	-	203	254	256	215	217	242	203	163	85	1,838
	B	-	97	122	131	110	113	117	95	82	64	931
	G	-	106	132	125	105	104	125	108	81	21	907
Qrendi	T	-	22	35	32	37	39	47	42	37	17	308
	B	-	7	19	16	22	22	24	17	20	13	160
	G	-	15	16	16	15	17	23	25	17	4	148
Zurrieq	T	-	93	182	179	171	192	155	148	147	66	1,333
	B	-	46	96	103	90	110	69	63	76	34	687
	G	-	47	86	76	81	82	86	85	71	32	646
Kirkop	T	-	32	26	32	35	32	20	27	17	2	223
	B	-	19	15	18	14	17	11	12	9	2	117
	G	-	13	11	14	21	15	9	15	8	-	106
Mqabba	T	-	36	43	40	45	51	45	53	44	26	383
	B	-	23	24	23	21	30	16	22	24	15	198
	G	-	13	19	17	24	21	29	31	20	11	185
Safi	T	-	11	16	13	19	19	12	6	7	4	107
	B	-	2	12	8	7	9	6	1	2	3	50
	G	-	9	4	5	12	10	6	5	5	1	57
WESTERN:												
Rabat	T	-	187	208	228	244	246	221	210	152	79	1,775
	B	-	101	115	115	129	117	118	110	104	78	987
	G	-	86	93	113	115	129	103	100	48	1	788



GOVT. PRIMARY SCHOOLS

PUPILS CLASSIFIED BY LOCALITY OF SCHOOL, AGE AND SEX: 30TH JUNE, 1965

Table 4. (contd.)

Locality		Age									Total	
		5	6	7	8	9	10	11	12	13		14 & Over
<b>WESTERN: (CONTD.)</b>												
Dingli	T	-	42	34	43	45	43	45	38	26	12	328
	B	-	18	16	18	26	25	26	18	15	8	170
	G	-	24	18	25	19	18	19	20	11	4	158
Siggiewi	T	-	114	95	107	106	88	102	89	106	48	855
	B	-	57	47	42	52	48	57	50	52	25	430
	G	-	57	48	65	54	40	45	39	54	23	425
Zebbug	T	-	145	167	208	166	191	185	151	161	83	1,457
	B	-	60	81	108	85	97	95	69	80	50	725
	G	-	85	86	100	81	94	90	82	81	33	732
Bahrija	T	-	3	12	7	8	11	13	9	9	3	75
	B	-	1	5	3	7	5	5	5	4	1	36
	G	-	2	7	4	1	6	8	4	5	2	39
Ghenieri	T	4	5	7	9	15	8	17	11	8	1	85
	B	1	1	1	2	8	2	8	5	4	1	33
	G	3	4	6	7	7	6	9	6	4	-	52
Mtahleb	T	1	10	9	13	11	18	17	11	13	8	111
	B	-	2	7	9	5	11	9	6	7	3	59
	G	1	8	2	4	6	7	8	5	6	5	52
Fawara	T	1	2	3	3	3	2	1	6	-	1	22
	B	-	2	2	2	2	2	1	3	-	-	14
	G	1	-	1	1	1	-	-	3	-	1	8
<b>NORTHERN:</b>												
Mellieha	T	-	73	74	99	83	118	109	86	63	24	734
	B	-	36	38	48	43	65	54	42	30	13	369
	G	-	37	36	51	40	53	55	44	38	11	365
Mgarr	T	-	41	45	55	44	53	53	53	45	32	421
	B	-	19	21	31	24	24	26	28	19	13	205
	G	-	22	24	24	20	29	27	25	26	19	216
Gharghur	T	-	28	45	33	39	50	49	47	20	1	312
	B	-	18	20	13	17	29	22	22	10	1	152
	G	-	10	25	20	22	21	27	25	10	-	160
Naxxar	T	-	65	103	86	82	95	70	74	67	23	665
	B	-	37	45	41	49	46	33	36	39	15	341
	G	-	28	58	45	33	49	37	38	28	8	324
Mosta	T	-	124	162	151	154	126	146	107	113	37	1,120
	B	-	56	88	86	69	63	78	60	57	17	574
	G	-	68	74	65	85	63	68	47	56	20	546
St. Paul's Bay	T	-	34	73	62	80	64	57	66	41	18	495
	B	-	17	40	33	34	34	31	35	20	10	254
	G	-	17	33	29	46	30	26	31	21	8	241
Bidnija	T	-	-	-	-	-	-	-	-	-	-	-
	B	-	-	-	-	-	-	-	-	-	-	-
	G	-	-	-	-	-	-	-	-	-	-	-

PUPILS CLASSIFIED BY LOCALITY OF SCHOOL, AGE AND SEX: 30TH JUNE, 1965

Table 4 (contd.)

Locality		Age									Total	
		5	6	7	8	9	10	11	12	13		14 & Over
G O Z O:												
Ghajnsielem	T	-	39	41	44	47	39	33	54	24	16	337
	B	-	18	16	22	25	23	21	21	13	15	174
	G	-	21	25	22	22	16	12	33	11	1	163
Comino	T	-	-	-	-	-	1	1	3	2	-	7
	B	-	-	-	-	-	1	-	3	1	-	5
	G	-	-	-	-	-	-	1	-	1	-	2
Gharb	T	-	11	25	10	15	17	21	13	15	3	130
	B	-	5	14	7	7	7	11	6	11	2	70
	G	-	6	11	3	8	10	10	7	4	1	60
San Lawrenz	T	-	7	7	10	5	10	10	9	3	3	64
	B	-	2	4	6	5	7	5	3	3	3	38
	G	-	5	3	4	-	3	5	6	-	-	26
Kercem	T	-	30	33	21	27	32	31	27	13	4	218
	B	-	9	15	7	21	17	13	12	9	4	107
	G	-	21	18	14	6	15	18	15	4	-	111
Nadur	T	-	67	81	92	95	91	89	107	74	33	729
	B	-	36	38	52	54	51	40	59	42	23	395
	G	-	31	43	40	41	40	49	48	32	10	334
Qala	T	-	42	27	29	32	29	21	24	33	10	247
	B	-	22	11	20	10	12	9	12	21	7	124
	G	-	20	16	9	22	17	12	12	12	3	123
Sannat	T	-	55	48	49	42	60	55	44	33	11	397
	B	-	24	24	27	22	23	21	22	18	8	189
	G	-	31	24	22	20	37	34	22	15	3	208
Victoria	T	-	130	121	129	106	129	101	105	82	49	952
	B	-	62	61	65	43	64	54	47	47	27	470
	G	-	68	60	64	63	65	47	58	35	22	482
Xaghra	T	-	75	71	102	72	89	93	90	73	33	698
	B	-	36	35	36	38	45	50	50	41	9	340
	G	-	39	36	66	34	44	43	40	32	24	358
Xewkija	T	-	65	101	73	76	94	66	74	67	31	647
	B	-	31	46	30	38	52	40	29	42	20	328
	G	-	34	55	43	38	42	26	45	25	11	319
Zebbug	T	-	21	21	18	16	23	20	18	23	-	160
	B	-	10	7	6	9	18	10	11	14	-	85
	G	-	11	14	12	7	5	10	7	9	-	75
Ghasri	T	-	8	8	11	2	9	8	8	3	-	57
	B	-	5	3	6	1	5	7	4	2	-	33
	G	-	3	5	5	1	4	1	4	1	-	24

Table 5.

Age	Number			Per Cent		
	Total	Boys	Girls	Total	Boys	Girls
<b>MALTESE ISLANDS</b>						
5	19	6	13	0.1	0.1	0.1
6	4,158	2,044	2,114	9.1	8.8	9.5
7	5,728	2,953	2,775	12.6	12.7	12.5
8	5,790	2,939	2,851	12.7	12.5	12.9
9	5,755	2,982	2,773	12.7	12.8	12.5
10	5,957	3,027	2,930	13.1	12.9	13.2
11	5,835	2,959	2,876	12.8	12.7	13.0
12	5,322	2,676	2,646	11.7	11.5	11.9
13	4,597	2,296	2,301	10.1	9.9	10.4
14 & Over	2,309	1,415	894	5.1	6.1	4.0
<b>TOTAL</b>	<b>45,470</b>	<b>23,297</b>	<b>22,173</b>	<b>100.0</b>	<b>100.0</b>	<b>100.0</b>
<b>MALTA</b>						
5	19	6	13	0.1	0.1	0.1
6	3,608	1,784	1,824	8.8	8.5	9.2
7	5,144	2,679	2,465	12.6	12.8	12.4
8	5,202	2,655	2,547	12.7	12.7	12.8
9	5,220	2,709	2,511	12.8	12.9	12.6
10	5,334	2,702	2,632	13.1	12.9	13.2
11	5,286	2,678	2,608	12.9	12.8	13.1
12	4,746	2,397	2,349	11.6	11.4	11.8
13	4,152	2,052	2,120	10.2	9.7	10.7
14 & Over	2,116	1,297	819	5.2	6.2	4.1
<b>TOTAL</b>	<b>40,827</b>	<b>20,939</b>	<b>19,888</b>	<b>100.0</b>	<b>100.0</b>	<b>100.0</b>
<b>GOZO</b>						
5	-	-	-	-	-	-
6	550	260	290	11.8	11.0	12.7
7	584	274	310	12.6	11.6	13.6
8	588	284	304	12.7	12.1	13.3
9	535	273	262	11.5	11.6	11.5
10	623	325	298	13.4	13.8	13.1
11	549	281	268	11.8	11.9	11.7
12	576	279	297	12.4	11.8	12.9
13	445	264	181	9.6	11.2	7.9
14 & Over	193	118	75	4.2	5.0	3.5
<b>TOTAL</b>	<b>4,643</b>	<b>2,358</b>	<b>2,285</b>	<b>100.0</b>	<b>100.0</b>	<b>100.0</b>

GOVT. PRIMARY SCHOOLS

NUMBER OF PUPILS CLASSIFIED BY THE TYPE OF SCHOOL, AGE AND SEX: 30TH JUNE, 1965

Table 6.

Type of School		Age									Total	
		5	6	7	8	9	10	11	12	13		14 & Over
MALTESE ISLANDS	T	19	4,158	5,728	5,790	5,755	5,957	5,835	5,322	4,597	2,309	45,470
	B	6	2,044	2,953	2,939	2,982	3,027	2,959	2,676	2,296	1,415	23,297
	G	13	2,114	2,775	2,851	2,773	2,930	2,876	2,646	2,301	894	22,173
MALTA	T	19	3,608	5,144	5,202	5,220	5,334	5,286	4,746	4,152	2,116	40,827
	B	6	1,784	2,679	2,655	2,709	2,702	2,678	2,397	2,032	1,297	20,939
	G	13	1,824	2,465	2,547	2,511	2,632	2,608	2,349	2,120	819	19,888
GOZO	T	-	550	584	588	535	623	549	576	445	193	4,643
	B	-	260	274	284	273	325	281	279	264	118	2,358
	G	-	290	310	304	262	298	268	297	181	75	2,285
INFANTS:												
Malta	T	1	1,588	2,056	897	183	24	5	-	-	-	4,754
	B	1	774	1,074	483	107	15	2	-	-	-	2,456
	G	-	814	982	414	76	9	3	-	-	-	2,298
Gozo	T	-	130	108	71	13	-	1	-	-	-	323
	B	-	62	48	12	2	-	-	-	-	-	124
	G	-	68	60	59	11	-	1	-	-	-	199
BOYS:												
Malta	T	-	1	264	1,388	2,050	2,159	2,174	1,933	1,643	1,122	12,734
	B	-	1	264	1,388	2,050	2,159	2,174	1,933	1,643	1,122	12,734
	G	-	-	-	-	-	-	-	-	-	-	-
Gozo	T	-	-	55	174	177	224	193	197	193	86	1,299
	B	-	-	55	174	177	224	193	197	193	86	1,299
	G	-	-	-	-	-	-	-	-	-	-	-
GIRLS:												
Malta	T	-	1	161	814	1,078	1,212	1,194	1,064	1,075	372	6,971
	B	-	-	-	-	-	-	-	-	-	-	-
	G	-	1	161	814	1,078	1,212	1,194	1,064	1,075	372	6,971
BOYS/GIRLS:												
Gozo (Comino)	T	-	-	-	-	-	1	1	3	2	-	7
	B	-	-	-	-	-	1	-	3	1	-	5
	G	-	-	-	-	-	-	1	-	1	-	2
BOYS/INFANTS:												
Malta	T	-	33	116	125	118	109	111	96	96	32	836
	B	-	33	116	125	118	109	111	96	96	32	836
	G	-	-	-	-	-	-	-	-	-	-	-
Gozo	T	-	-	-	-	-	-	-	-	-	-	-
	B	-	-	-	-	-	-	-	-	-	-	-
	G	-	-	-	-	-	-	-	-	-	-	-

GOVT. PRIMARY SCHOOLS

NUMBER OF PUPILS CLASSIFIED BY TYPE OF SCHOOL, AGE AND SEX: 30TH JUNE, 1965

Table 6. (contd.)

Type of School		Age									Total	
		5	6	7	8	9	10	11	12	13		14 & Over
<b>GIRLS/INFANTS:</b>												
Malta	T	6	1,429	1,802	1,218	1,059	1,057	1,028	917	792	359	9,667
	B	1	697	837	257	43	6	1	-	-	-	1,842
	G	5	732	965	961	1,016	1,051	1,027	917	792	359	7,825
Gozo	T	-	249	232	180	191	208	176	203	136	70	1,651
	B	-	125	88	17	4	-	-	-	-	-	234
	G	-	124	150	163	187	208	176	203	136	70	1,417
<b>BOYS/GIRLS/INFANTS:</b>												
Malta	T	12	556	745	760	732	773	774	736	546	231	5,865
	B	4	279	388	402	391	413	330	368	293	143	3,071
	G	8	277	357	358	341	360	334	368	253	88	2,781
Gozo	T	-	171	183	163	154	130	178	173	114	37	1,363
	B	-	73	83	81	90	100	88	79	70	32	696
	G	-	92	100	82	64	90	90	94	44	5	667

GOVT. PRIMARY SCHOOLS

PUPILS UNDER AND OVER 10 YEARS OF AGE BY TYPE OF SCHOOL AND SEX: 30TH JUNE, 1965

Table 7.

Type of School	5 to 9 years				10 years and over				No. of Schools
	Boys		Girls		Boys		Girls		
	Number	%	Number	%	Number	%	Number	%	
Infants	2,563	23.5	2,484	23.6	17	0.1	13	0.1	12
Boys	4,109	37.6	-	-	9,924	80.2	-	-	31
Girls	-	-	2,054	19.5	-	-	4,917	42.2	12
Boys/Girls	-	-	-	-	5	-	2	-	1
Girls/Infants	2,069	18.9	4,303	40.9	7	0.1	4,939	42.4	26
Boys/Infants	392	3.6	-	-	444	3.6	-	-	2
Boys/Girls/Infants	1,791	16.4	1,685	16.0	1,976	16.0	1,776	15.3	29
<b>TOTAL</b>	<b>10,924</b>	<b>100.0</b>	<b>10,526</b>	<b>100.0</b>	<b>12,373</b>	<b>100.0</b>	<b>11,647</b>	<b>100.0</b>	<b>113</b>

NUMBER OF PUPILS CLASSIFIED BY CLASS, SEX AND AGE: 30TH JUNE, 1965

Table 8.

Class & Sex	Age										All Ages
	5	6	7	8	9	10	11	12	13	14 & Over	
Maltese Islands	19	4,158	5,728	5,790	5,755	5,957	5,836	5,321	4,597	2,309	45,470
Malta	19	3,608	5,144	5,202	5,220	5,334	5,287	4,745	4,152	2,116	40,827
Gozo	-	550	584	588	535	623	549	576	445	193	4,643
<b>MALTA</b>											
<b>INFANTS:</b>											
Stage I											
T	19	2,927	1,189	155	18	6	2	-	-	-	4,316
B	6	1,471	637	77	11	2	1	-	-	-	2,205
G	13	1,456	552	78	7	4	1	-	-	-	2,111
Stage II											
T	-	679	3,271	1,551	329	51	10	-	-	-	5,891
B	-	312	1,709	844	183	26	3	-	-	-	3,077
G	-	367	1,562	707	146	25	7	-	-	-	2,814
<b>PRIMARY:</b>											
Standard I											
T	-	2	681	2,861	1,918	560	142	40	8	2	6,214
B	-	1	331	1,403	1,012	300	79	22	5	2	3,155
G	-	1	350	1,458	906	260	63	18	3	-	3,059
Standard II											
T	-	-	3	630	2,372	1,878	732	289	74	13	5,991
B	-	-	2	327	1,213	956	399	168	47	11	3,123
G	-	-	1	303	1,159	922	333	121	27	2	2,868
Standard III											
T	-	-	-	4	579	2,192	1,740	790	351	60	5,716
B	-	-	-	3	287	1,097	884	391	179	33	2,874
G	-	-	-	1	292	1,095	856	399	172	27	2,842
Standard IV											
T	-	-	-	-	4	641	2,187	1,651	785	204	5,472
B	-	-	-	-	3	317	1,064	842	413	137	2,776
G	-	-	-	-	1	324	1,123	809	372	67	2,696

GOVT. PRIMARY SCHOOLS

NUMBER OF PUPILS CLASSIFIED BY CLASS, SEX AND AGE: 30TH JUNE, 1965

Table 8. (Contd.)

Class & Sex	Age										All Ages	
	5	6	7	8	9	10	11	12	13	14 & Over		
<b>MALTA (CONTD.):</b>												
Standard V	T	-	-	-	1	-	6	472	1,765	1,904	550	4,698
	B	-	-	-	1	-	4	247	875	909	296	2,332
	G	-	-	-	-	-	2	225	890	995	254	2,366
Standard VI	T	-	-	-	-	-	-	2	210	1,011	1,047	2,270
	B	-	-	-	-	-	-	1	99	463	631	1,194
	G	-	-	-	-	-	-	1	111	548	416	1,076
Standard VII	T	-	-	-	-	-	-	-	-	19	240	259
	B	-	-	-	-	-	-	-	-	16	187	203
	G	-	-	-	-	-	-	-	-	3	53	56
<b>GOZO</b>												
<b>INFANTS:</b>												
Stage I	T	-	457	40	24	8	-	1	-	-	-	530
	B	-	218	25	22	8	-	-	-	-	-	273
	G	-	239	15	2	-	-	1	-	-	-	251
Stage II	T	-	93	465	91	16	-	-	-	-	-	665
	B	-	42	221	55	10	-	-	-	-	-	328
	G	-	51	244	36	6	-	-	-	-	-	337
<b>PRIMARY:</b>												
Standard I	T	-	-	79	387	132	35	5	-	1	-	639
	B	-	-	28	159	69	25	2	-	1	-	284
	G	-	-	51	228	63	10	3	-	-	-	355
Standard II	T	-	-	-	85	305	169	36	11	4	-	510
	B	-	-	-	48	146	95	26	6	3	-	324
	G	-	-	-	37	159	74	10	5	1	-	286
Standard III	T	-	-	-	1	73	330	152	59	21	2	638
	B	-	-	-	-	39	163	76	28	18	-	324
	G	-	-	-	1	34	167	76	31	3	2	314
Standard IV	T	-	-	-	-	1	87	299	169	48	8	612
	B	-	-	-	-	1	41	152	93	27	5	319
	G	-	-	-	-	-	46	147	76	21	3	293
Standard V	T	-	-	-	-	-	2	55	294	200	45	596
	B	-	-	-	-	-	1	25	139	112	26	303
	G	-	-	-	-	-	1	30	155	88	19	293
Standard VI	T	-	-	-	-	-	-	1	43	171	130	345
	B	-	-	-	-	-	-	-	13	103	87	203
	G	-	-	-	-	-	-	1	30	88	43	142
Standard VII	T	-	-	-	-	-	-	-	-	-	8	8
	B	-	-	-	-	-	-	-	-	-	-	-
	G	-	-	-	-	-	-	-	-	-	8	8

PUPILS CLASSIFIED BY LOCALITY OF SCHOOL, CLASS, SEX AND FOREIGN LANGUAGES  
TAKEN IN ADDITION TO ENGLISH, 1964/65

Table 9.

Locality		Std. IV		Std. V		Std. VI		Std. VII	
		Boys	Girls	Boys	Girls	Boys	Girls	Boys	Girls
Maltese Islands	Italian	2,240	2,383	1,918	2,069	841	874	142	54
	French	80	164	107	172	24	97	3	6
Malta	Italian	1,984	2,114	1,672	1,813	648	731	131	54
	French	80	137	107	144	24	89	3	6
Gozo	Italian	256	269	246	256	193	143	11	-
	French	-	27	-	28	-	8	-	-
Floriana	Italian	24	30	43	32	-	16	-	8
	French	3	9	9	3	-	2	-	2
Valletta	Italian	125	110	81	83	56	17	28	-
	French	-	-	-	-	-	-	-	-
Cospicua	Italian	63	102	58	84	28	23	4	-
	French	-	3	-	12	-	15	-	-
Senglea	Italian	30	50	28	45	-	-	-	-
	French	9	-	5	-	-	-	-	-
Vittoriosa	Italian	112	34	13	30	-	16	-	-
	French	1	-	4	3	-	-	-	-
Hamrun	Italian	197	223	178	164	106	96	33	-
	French	2	-	12	9	6	8	3	-
Sta. Venera	Italian	38	39	23	25	-	-	-	-
	French	-	-	2	-	-	-	-	-
Marsa	Italian	109	75	65	118	25	70	-	11
	French	12	-	7	8	5	5	-	1
Pieta'	Italian	19	16	22	12	-	-	-	-
	French	-	-	-	-	-	-	-	-
Gzira	Italian	49	60	38	44	-	16	-	-
	French	-	-	-	-	-	-	-	-
Msida	Italian	22	37	37	54	8	24	-	-
	French	23	3	8	-	-	-	-	-
St. Julians	Italian	18	26	8	15	-	-	-	15
	French	7	23	7	24	-	-	-	2
Sliema	Italian	84	59	77	45	23	-	19	-
	French	8	-	4	8	7	-	-	-
Msierah	Italian	-	-	-	-	-	-	-	-
	French	-	-	-	-	-	-	-	-
Paola	Italian	92	92	103	122	4	40	-	20
	French	7	19	7	18	1	1	-	1
Tarxien	Italian	47	57	37	42	12	-	-	-
	French	-	-	-	-	-	-	-	-
Zabbar	Italian	49	73	44	43	18	20	29	-
	French	-	3	2	9	-	-	-	-
Marsasclala	Italian	7	5	2	8	-	-	-	-
	French	-	-	-	-	-	-	-	-



GOVT. PRIMARY SCHOOLS

PUPILS CLASSIFIED BY LOCALITY OF SCHOOL, CLASS, SEX AND FOREIGN LANGUAGES

TAKEN IN ADDITION TO ENGLISH, 1964/65

Table 9. (Contd.)

Locality		Std. IV		Std. V		Std. VI		Std. VII	
		Boys	Girls	Boys	Girls	Boys	Girls	Boys	Girls
Kalkara	Italian	8	22	10	14	-	-	-	-
	French	-	-	-	-	-	-	-	-
Luqa	Italian	45	46	44	26	-	-	-	-
	French	-	-	-	-	-	-	-	-
Fgura	Italian	10	22	14	16	-	-	-	-
	French	-	-	-	-	-	-	-	-
Attard	Italian	7	6	8	12	-	11	-	-
	French	-	-	-	-	-	-	-	-
Birkirkara	Italian	147	125	102	59	35	46	-	-
	French	6	7	7	5	1	1	-	-
Lija	Italian	23	28	18	32	13	-	-	-
	French	-	4	-	9	-	-	-	-
Qormi	Italian	92	115	83	116	10	70	-	-
	French	-	-	-	3	-	18	-	-
B'Bugia	Italian	22	44	51	26	36	12	-	-
	French	-	-	-	5	-	3	-	-
M'Xlok	Italian	16	20	5	7	-	5	-	-
	French	-	-	-	-	-	-	-	-
Ghaxaq	Italian	52	36	27	40	24	10	-	-
	French	-	-	-	-	-	-	-	-
Gudja	Italian	16	15	22	5	-	-	-	-
	French	-	-	-	-	-	-	-	-
Zejtun	Italian	53	24	58	35	70	1	16	-
	French	-	23	-	3	-	19	-	-
Qrendi	Italian	-	6	25	-	-	-	-	-
	French	-	-	-	-	-	-	-	-
Zurrieq	Italian	27	65	30	34	16	26	-	-
	French	-	19	5	12	4	9	-	-
Kirkop	Italian	8	8	6	8	-	-	-	-
	French	-	-	-	-	-	-	-	-
Mqabba	Italian	12	20	22	10	18	5	-	-
	French	-	5	2	1	-	-	-	-
Safi	Italian	6	8	13	16	-	-	-	-
	French	-	-	-	-	-	-	-	-
Rabat	Italian	99	93	53	63	43	38	2	-
	French	2	18	6	10	-	8	-	-
Dingli	Italian	6	13	15	9	16	-	-	-
	French	-	-	-	1	-	-	-	-
Siggiewi	Italian	23	52	19	65	16	16	-	-
	French	-	-	20	-	-	-	-	-
Zebbug	Italian	53	29	26	74	18	57	-	-
	French	-	-	-	-	-	-	-	-
Bahrija	Italian	6	9	3	-	1	9	-	-
	French	-	-	-	-	-	-	-	-

GOVT. PRIMARY SCHOOLS

PUPILS CLASSIFIED BY LOCALITY OF SCHOOL, CLASS, SEX AND FOREIGN LANGUAGES  
TAKEN IN ADDITION TO ENGLISH, 1964/65

Table 9. (Contd.)

Locality		Std. IV		Std. V		Std. VI		Std. VII	
		Boys	Girls	Boys	Girls	Boys	Girls	Boys	Girls
Ghemieri	Italian	-	-	7	9	-	-	-	-
	French	-	-	-	-	-	-	-	-
Mtahleb	Italian	10	5	3	7	4	8	-	-
	French	-	-	-	-	-	-	-	-
Fawwara	Italian	-	-	3	5	-	-	-	-
	French	-	-	-	-	-	-	-	-
Mellieha	Italian	51	69	39	41	17	18	-	-
	French	-	-	-	-	-	-	-	-
Mgarr	Italian	32	36	21	28	15	28	-	-
	French	-	-	-	-	-	-	-	-
Gharghur	Italian	11	9	7	16	-	-	-	-
	French	-	-	-	-	-	-	-	-
Naxxar	Italian	-	48	20	23	-	-	-	-
	French	-	-	-	-	-	-	-	-
Mosta	Italian	45	44	48	46	13	23	-	-
	French	-	-	-	-	-	-	-	-
St. Paul's Bay	Italian	18	9	13	5	3	10	-	-
	French	-	1	-	1	-	-	-	-
GOZO:									
Ghajnsielem	Italian	24	20	14	21	-	11	-	-
	French	-	-	-	-	-	-	-	-
Gharb	Italian	11	12	10	14	12	-	-	-
	French	-	-	-	-	-	-	-	-
San Lawrenz	Italian	2	12	7	3	-	-	-	-
	French	-	-	-	-	-	-	-	-
Kercem	Italian	20	14	14	10	9	-	-	-
	French	-	-	-	5	-	3	-	-
Nadur	Italian	48	46	51	33	68	33	-	-
	French	-	-	-	-	-	-	-	-
Qala	Italian	12	15	8	12	19	11	-	-
	French	-	-	-	-	-	-	-	-
Sannat	Italian	22	-	20	-	5	-	-	-
	French	-	27	-	23	-	-	-	-
Victoria	Italian	49	47	61	61	51	48	-	-
	French	-	-	-	-	-	5	-	-
Xaghra	Italian	24	44	21	50	-	32	11	-
	French	-	-	-	-	-	-	-	-
Xewkija	Italian	19	42	20	34	17	-	-	-
	French	-	-	-	-	-	-	-	-
Zebbug	Italian	15	14	15	12	12	8	-	-
	French	-	-	-	-	-	-	-	-
Ghasri	Italian	10	3	5	6	-	-	-	-
	French	-	-	-	-	-	-	-	-

GOVT. PRIMARY SCHOOLS

SUMMARY TABLE OF PUPILS IN INFANT AND PRIMARY SECTIONS: 30TH JUNE, 1965

Table 10.

Sections	Maltese Islands		Malta		Gozo	
	Number	Per Cent	Number	Per Cent	Number	Per Cent
Infants	11,402	25.1	10,207	25.0	1,195	25.7
Primary	34,068	74.9	30,620	75.0	3,448	74.3
<b>TOTAL</b>	<b>45,470</b>	<b>100.0</b>	<b>40,827</b>	<b>100.0</b>	<b>4,643</b>	<b>100.0</b>

MEAN AGE OF PUPILS BY CLASS AND SEX: 1963/64 - 1964/65

Table 11.

Class	1963/64			1964/65		
	Total	Boys	Girls	Total	Boys	Girls
<b>MALTA:</b>						
Infants:						
Stage I	6.40	6.40	6.38	6.36	6.38	6.37
Stage II	7.35	7.35	7.35	7.29	7.32	7.26
Primary:						
Std. I	6.57	8.61	8.53	8.48	8.52	8.44
Std. II	9.69	9.73	9.65	9.66	9.69	9.62
Std. III	10.71	10.76	10.66	10.70	10.71	10.70
Std. IV	11.69	11.70	11.69	11.58	11.63	11.53
Std. V	12.34	12.36	12.33	12.54	12.53	12.54
Std. VI	13.32	13.36	13.29	13.37	13.44	13.28
Std. VII	13.95	13.96	13.94	13.93	13.92	13.95
<b>GOZO:</b>						
Infants:						
Stage I	6.20	6.20	6.11	6.08	6.34	6.09
Stage II	7.12	7.31	7.02	7.05	7.10	6.99
Primary:						
Std. I	8.36	8.38	8.34	8.22	8.36	8.12
Std. II	9.39	9.55	9.26	9.12	9.40	9.27
Std. III	10.39	10.41	10.37	10.42	10.45	10.38
Std. IV	11.52	11.57	11.47	11.33	11.37	12.57
Std. V	12.37	12.43	12.30	12.39	12.45	12.32
Std. VI	13.32	13.36	13.29	13.25	13.36	13.08
Std. VII	13.89	13.89	-	14.00	-	14.00

NUMBER OF BOYS<sup>o</sup>, GIRLS<sup>o</sup> AND MIXED CLASSES: 30th JUNE, 1965

Table 12.

Class	Number of Classes			
	Total	Boys <sup>o</sup>	Girls <sup>o</sup>	Mixed
MALTESE ISLANDS	2,015	952	895	168
MALTA	1,782	852	797	133
GOZO	233	100	98	35
MALTA:				
Infants: Stage I	168	59	52	57
Stage II	229	103	94	32
Primary: Standard I	250	120	119	11
Standard II	240	119	111	10
Standard III	238	118	113	7
Standard IV	245	122	117	6
Standard V	242	117	117	8
Standard VI	149	78	69	2
Standard VII	21	16	5	-
GOZO:				
Infants: Stage I	24	7	8	9
Stage II	27	10	9	8
Primary: Standard I	28	10	12	6
Standard II	28	12	11	5
Standard III	31	14	14	3
Standard IV	31	15	14	2
Standard V	34	16	16	2
Standard VI	29	16	13	-
Standard VII	1	-	1	-

GOVT. PRIMARY SCHOOLS

NUMBER OF CLASSES AND NUMBER OF PUPILS CLASSIFIED BY RANGE OF PUPILS IN SCHOOL AND CLASS: 30th JUNE 1965

Table 13.

Classes	Number of Classes having the following number of Pupils										Total No. of Classes	Total No. of Pupils	Average No. of Pupils per Class		
	Under 20		20-24		25-29		30-34		35-39					40 & Over	
	No. of Classes	No. of Pupils	No. of Classes	No. of Pupils	No. of Classes	No. of Pupils	No. of Classes	No. of Pupils	No. of Classes	No. of Pupils				No. of Classes	No. of Pupils
All Schools															
Stage I	11	130	52	1207	114	3074	14	435	-	-	-	-	192	4,846	25.2
Stage II	15	230	60	1351	151	4027	27	839	3	109	-	-	256	6,556	25.6
Standard I	22	445	89	2002	133	3330	27	841	-	35	-	-	278	6,853	24.7
Standard II	20	327	94	2102	136	3618	18	554	-	-	-	-	268	6,601	24.6
Standard III	39	629	110	2468	106	2829	14	428	-	-	-	-	269	6,354	23.6
Standard IV	70	1111	124	2757	70	1848	12	368	-	-	-	-	276	6,084	22.0
Standard V	128	1926	119	2600	26	677	3	91	-	-	-	-	276	5,294	19.2
Standard VI	150	1998	26	563	2	54	-	-	-	-	-	-	173	2,615	14.7
Standard VII	21	246	-	21	-	-	-	-	-	-	-	-	22	267	12.1
<b>TOTAL</b>	<b>482</b>	<b>7042</b>	<b>676</b>	<b>15071</b>	<b>733</b>	<b>19657</b>	<b>115</b>	<b>3556</b>	<b>4</b>	<b>144</b>	<b>-</b>	<b>-</b>	<b>2,015</b>	<b>45,470</b>	<b>22.6</b>
Schools with under 200 Pupils															
Stage I	9	96	2	44	-	-	1	34	-	-	-	-	12	174	14.5
Stage II	5	58	3	62	1	27	1	32	-	-	-	-	10	179	17.9
Standard I	10	130	4	87	2	51	-	-	-	-	-	-	16	268	16.8
Standard II	5	71	6	132	-	-	-	-	-	-	-	-	12	203	16.9
Standard III	9	122	3	65	1	26	-	-	-	-	-	-	13	213	16.4
Standard IV	15	210	-	-	-	-	-	-	-	-	-	-	15	210	14.0
Standard V	16	172	2	42	-	-	-	-	-	-	-	-	18	220	12.2
Standard VI	9	85	-	-	-	-	-	-	-	-	-	-	9	85	9.4
Standard VII	-	-	-	-	-	-	-	-	-	-	-	-	-	-	-
<b>TOTAL</b>	<b>79</b>	<b>950</b>	<b>20</b>	<b>432</b>	<b>4</b>	<b>104</b>	<b>2</b>	<b>66</b>	<b>-</b>	<b>-</b>	<b>-</b>	<b>-</b>	<b>105</b>	<b>1,552</b>	<b>14.8</b>
Schools with 200 to 399 Pupils															
Stage I	1	17	23	512	38	1015	7	213	-	-	-	-	69	1,757	25.5
Stage II	7	118	32	718	42	1115	11	342	2	74	-	-	94	2,367	25.2
Standard I	15	262	50	1120	19	507	3	99	-	-	-	-	87	1,968	22.9
Standard II	14	256	36	792	31	813	2	60	-	-	-	-	83	1,921	23.1
Standard III	21	349	39	858	23	600	1	31	-	-	-	-	84	1,838	21.9
Standard IV	21	349	44	965	18	470	-	-	-	-	-	-	83	1,784	21.5
Standard V	53	827	30	640	6	156	-	-	-	-	-	-	89	1,623	18.2
Standard VI	52	636	3	64	-	-	-	-	-	-	-	-	55	700	12.7
Standard VII	1	14	-	-	-	-	-	-	-	-	-	-	1	14	14.0
<b>TOTAL</b>	<b>185</b>	<b>2828</b>	<b>257</b>	<b>5669</b>	<b>177</b>	<b>4676</b>	<b>24</b>	<b>745</b>	<b>2</b>	<b>74</b>	<b>-</b>	<b>-</b>	<b>645</b>	<b>13,992</b>	<b>21.7</b>

NUMBER OF CLASSES AND NUMBER OF PUPILS CLASSIFIED BY RANGE OF PUPILS IN SCHOOL AND CLASS: 30th JUNE, 1965

Table 13. (Contd.)

Classes	Number of Classes having the following number of Pupils												Total No. of Classes	Total No. of Pupils	Average No. of Pupils per Class		
	Under 20		20-24		25-29		30-34		35-39		40 & Over						
	No. of Classes	No. of Pupils	No. of Classes	No. of Pupils	No. of Classes	No. of Pupils	No. of Classes	No. of Pupils	No. of Classes	No. of Pupils	No. of Classes	No. of Pupils					
Schools with 400 to 599 Pupils																	
Stage I	-	-	21	487	61	1645	4	123	-	-	-	-	-	-	86	2,255	26.2
Stage II	2	37	18	419	90	2402	12	375	1	35	-	-	-	-	123	3,268	26.6
Standard I	2	36	25	567	51	1342	15	462	-	-	-	-	-	-	93	2,407	25.9
Standard II	-	-	36	820	43	1145	14	434	-	-	-	-	-	-	93	2,399	25.8
Standard III	4	69	43	974	40	1065	7	217	-	-	-	-	-	-	94	2,325	24.7
Standard IV	18	310	46	1020	29	778	5	158	-	-	-	-	-	-	98	2,266	23.1
Standard V	37	598	45	984	12	314	3	91	-	-	-	-	-	-	97	1,987	20.5
Standard VI	56	762	10	216	1	26	-	-	-	-	-	-	-	-	67	1,004	15.0
Standard VII	8	94	1	21	-	-	-	-	-	-	-	-	-	-	9	115	12.8
<b>TOTAL</b>	<b>127</b>	<b>1906</b>	<b>245</b>	<b>5508</b>	<b>327</b>	<b>8717</b>	<b>60</b>	<b>1860</b>	<b>1</b>	<b>35</b>	<b>-</b>	<b>-</b>	<b>-</b>	<b>-</b>	<b>760</b>	<b>18,026</b>	<b>23.7</b>
Schools with 600 to 799 Pupils																	
Stage I	1	17	7	164	15	414	2	65	-	-	-	-	-	-	25	660	26.4
Stage II	1	17	7	152	18	483	3	90	-	-	-	-	-	-	29	742	25.6
Standard I	1	17	7	159	45	1203	7	216	1	35	-	-	-	-	61	1,630	26.7
Standard II	-	-	12	269	46	1232	1	30	-	-	-	-	-	-	59	1,531	25.9
Standard III	2	36	22	503	30	809	4	120	-	-	-	-	-	-	58	1,468	25.3
Standard IV	12	176	32	728	14	363	3	90	-	-	-	-	-	-	61	1,357	22.2
Standard V	17	246	31	692	7	182	-	-	-	-	-	-	-	-	55	1,120	20.4
Standard VI	25	377	11	238	1	28	-	-	-	-	-	-	-	-	37	643	17.4
Standard VII	8	90	-	-	-	-	-	-	-	-	-	-	-	-	8	90	11.3
<b>TOTAL</b>	<b>67</b>	<b>976</b>	<b>129</b>	<b>2905</b>	<b>176</b>	<b>4714</b>	<b>20</b>	<b>611</b>	<b>1</b>	<b>35</b>	<b>-</b>	<b>-</b>	<b>-</b>	<b>-</b>	<b>393</b>	<b>9,241</b>	<b>23.5</b>
Schools with 800 to 999 Pupils																	
Stage I	-	-	-	-	-	-	-	-	-	-	-	-	-	-	-	-	-
Stage II	-	-	-	-	-	-	-	-	-	-	-	-	-	-	-	-	-
Standard I	-	-	3	69	16	427	2	64	-	-	-	-	-	-	21	560	26.7
Standard II	-	-	4	89	16	428	1	30	-	-	-	-	-	-	21	547	26.0
Standard III	3	53	3	68	12	329	2	60	-	-	-	-	-	-	20	510	25.5
Standard IV	4	66	2	44	9	237	4	120	-	-	-	-	-	-	19	467	24.6
Standard V	5	77	11	242	1	25	-	-	-	-	-	-	-	-	17	344	20.2
Standard VI	8	138	2	45	-	-	-	-	-	-	-	-	-	-	10	183	18.3
Standard VII	4	48	-	-	-	-	-	-	-	-	-	-	-	-	4	48	12.0
<b>TOTAL</b>	<b>24</b>	<b>382</b>	<b>25</b>	<b>557</b>	<b>54</b>	<b>1446</b>	<b>9</b>	<b>274</b>	<b>-</b>	<b>-</b>	<b>-</b>	<b>-</b>	<b>-</b>	<b>-</b>	<b>112</b>	<b>2,659</b>	<b>23.7</b>

GOVT. PRIMARY SCHOOLS

NEW PUPILS ADMITTED INTO GOVERNMENT PRIMARY SCHOOLS: 1964/65

Table 14.

Class and Sex		Age										All Ages
		5	6	7	8	9	10	11	12	13	14 & over	
Total Admissions												
Maltese Islands	T	17	4,055	1,534	272	161	140	152	104	118	115	6,668
	B	5	1,982	760	166	88	75	68	61	59	72	3,336
	G	12	2,073	774	106	73	65	84	43	59	43	3,332
Malta	T	17	3,513	1,454	240	146	131	146	99	114	114	5,974
	B	5	1,726	723	138	76	68	65	61	57	71	2,990
	G	12	1,787	731	102	70	63	81	38	57	43	2,984
Gozo	T	-	542	80	32	15	9	6	5	4	1	694
	B	-	256	37	28	12	7	3	-	2	1	346
	G	-	286	43	4	3	2	3	5	2	-	348
Previously never attended School												
Maltese Islands	B	5	1,644	474	30	7	4	-	1	-	4	2,169
	G	11	1,736	496	36	3	2	1	1	1	-	2,287
Malta	B	5	1,438	450	30	7	4	-	1	-	4	1,949
	G	11	1,499	476	34	3	2	1	1	1	-	2,028
Gozo	B	-	206	14	-	-	-	-	-	-	-	220
	G	-	237	20	2	-	-	-	-	-	-	259
Distribution by Class												
Stage I	B	5	1,573	409	16	4	-	-	-	-	-	2,007
	G	11	1,580	404	21	2	1	-	-	-	-	2,019
Stage II	B	-	70	64	12	1	-	-	-	-	-	147
	G	-	156	92	15	-	1	-	-	-	-	264
Standard I	B	-	1	1	1	-	1	-	-	-	-	4
	G	-	-	-	-	1	-	-	-	-	-	1
Standard II	B	-	-	-	1	2	3	-	1	-	-	7
	G	-	-	-	-	-	-	1	-	-	-	1
Standard III	B	-	-	-	-	-	-	-	-	-	-	-
	G	-	-	-	-	-	-	-	-	-	-	-
Standard IV	B	-	-	-	-	-	-	-	-	-	-	-
	G	-	-	-	-	-	-	-	-	-	-	-
Standard V	B	-	-	-	-	-	-	-	-	-	-	-
	G	-	-	-	-	-	-	-	-	-	-	-
Standard VI	B	-	-	-	-	-	-	-	-	-	-	-
	G	-	-	-	-	-	-	-	1	1	-	2
Standard VII	B	-	-	-	-	-	-	-	-	-	4	4
	G	-	-	-	-	-	-	-	-	-	-	-

## NEW PUPILS ADMITTED INTO GOVERNMENT PRIMARY SCHOOLS: 1964/65

Table 14 (Contd.)

Class and Sex		Age									All Ages	
		5	6	7	8	9	10	11	12	13		14 & over
Admitted from other schools												
Maltese Islands	B	-	338	286	136	81	71	68	60	59	68	1,167
	G	1	337	278	70	70	63	83	42	58	43	1,045
Malta	B	-	288	263	108	69	64	65	60	57	67	1,041
	G	1	288	255	68	67	61	80	37	56	43	956
Gozo	B	-	50	23	28	12	7	3	-	2	1	126
	G	-	49	23	2	3	2	3	5	2	-	89
Distribution by Class												
Stage I	B	-	77	25	4	2	-	-	-	-	-	108
	G	1	89	22	3	2	-	-	-	-	-	117
Stage II	B	-	261	238	27	77	3	-	-	-	-	536
	G	-	247	237	31	7	2	2	-	-	-	526
Standard I	B	-	-	23	86	37	14	9	2	1	-	172
	G	-	1	19	29	23	12	3	-	-	-	87
Standard II	B	-	-	-	18	24	26	14	8	2	1	93
	G	-	-	-	7	28	20	16	3	2	-	76
Standard III	B	-	-	-	1	11	21	19	10	2	1	65
	G	-	-	-	-	10	24	21	11	3	-	69
Standard IV	B	-	-	-	-	-	7	14	13	10	2	46
	G	-	-	-	-	-	5	31	10	11	1	58
Standard V	B	-	-	-	-	-	-	12	24	23	11	70
	G	-	-	-	-	-	-	10	12	22	3	47
Standard VI	B	-	-	-	-	-	-	-	3	20	36	59
	G	-	-	-	-	-	-	-	6	20	17	43
Standard VII	B	-	-	-	-	-	-	-	-	1	17	18
	G	-	-	-	-	-	-	-	-	-	22	22



GOVT. PRIMARY SCHOOLS

PUPILS THAT LEFT SCHOOL CLASSIFIED BY SEX, MONTH AND CAUSE OF LEAVING: 1964/65

Table 15.

Sex	1964						1965							Total
	July	Aug.	Sept.	Oct.	Nov.	Dec.	Jan.	Feb.	March	April	May	June	July	
All Causes														
Total	2,504	23	2,794	638	297	229	413	295	337	306	263	262	89	8,450
Boys	1,077	3	1,670	381	159	127	227	163	176	175	151	111	42	4,462
Girls	1,427	20	1,124	257	138	102	186	132	161	131	112	151	47	3,988
Emigrated														
Total	114	11	171	133	97	86	100	87	118	79	75	92	38	1,201
Boys	68	3	97	73	57	54	57	50	59	47	46	52	20	683
Girls	46	8	74	60	40	32	43	37	59	32	29	40	18	518
Completed Course														
Total	1,757	-	-	-	-	-	-	-	-	-	-	-	-	1,757
Boys	704	-	-	-	-	-	-	-	-	-	-	-	-	704
Girls	1,053	-	-	-	-	-	-	-	-	-	-	-	-	1,053
Exempted														
Total	504	6	324	306	161	118	247	182	194	199	167	143	40	2,591
Boys	210	-	201	168	79	52	121	96	101	109	89	50	14	1,290
Girls	294	6	123	138	82	66	126	86	93	90	78	93	26	1,301
Deceased														
Total	1	-	-	1	2	3	1	-	2	-	-	-	-	10
Boys	1	-	-	1	1	2	1	-	2	-	-	-	-	8
Girls	-	-	-	-	1	1	-	-	-	-	-	-	-	2
Entered Government Lycées or Grammar Schools														
Total	-	-	1,616	-	-	-	-	-	-	-	-	-	-	1,616
Boys	-	-	916	-	-	-	-	-	-	-	-	-	-	916
Girls	-	-	700	-	-	-	-	-	-	-	-	-	-	700
Entered Technical Schools														
Total	-	-	298	-	-	-	-	-	-	-	-	-	-	298
Boys	-	-	246	-	-	-	-	-	-	-	-	-	-	246
Girls	-	-	52	-	-	-	-	-	-	-	-	-	-	52
Entered Private Schools														
Total	120	6	297	129	16	6	21	11	12	11	8	7	7	641
Boys	87	-	172	89	9	6	13	7	10	5	5	5	5	413
Girls	33	6	115	40	7	-	8	4	2	6	3	2	2	228
Other Causes														
Total	8	-	98	69	21	16	44	15	11	17	13	20	4	336
Boys	7	-	38	50	13	13	35	10	4	14	11	4	3	202
Girls	1	-	60	19	8	3	9	5	7	3	2	16	1	134

PUPILS THAT LEFT SCHOOL CLASSIFIED BY AGE, SEX AND CAUSE OF LEAVING: 1964/65

Table 16.

Sex	Age										All Ages
	5	6	7	8	9	10	11	12	13	14 & Over	
<b>MALTESE ISLANDS</b>											
<b>All Causes</b>											
Total	3	119	183	172	221	258	457	827	1,516	4,694	8,450
Boys	1	61	95	107	133	180	286	456	726	2,417	4,462
Girls	2	58	88	65	88	78	171	371	790	2,277	3,988
<b>Emigrated</b>											
Total	1	86	146	136	149	162	138	137	129	117	1,201
Boys	-	44	70	82	88	100	84	82	67	66	683
Girls	1	42	76	54	61	62	54	55	62	51	518
<b>Completed Course</b>											
Total	-	-	-	-	-	-	1	19	197	1,540	1,757
Boys	-	-	-	-	-	-	-	9	79	616	704
Girls	-	-	-	-	-	-	1	10	118	924	1,053
<b>Exempted</b>											
Total	1	1	-	2	3	2	16	43	273	2,250	2,591
Boys	1	1	-	2	2	2	8	16	98	1,160	1,290
Girls	-	-	-	-	1	-	8	27	175	1,090	1,301
<b>Deceased</b>											
Total	-	-	-	1	2	-	3	1	1	2	10
Boys	-	-	-	1	1	-	3	-	1	2	8
Girls	-	-	-	-	1	-	-	1	-	-	2
<b>Entered Government Lyceum or Grammar Schools</b>											
Total	-	-	-	-	-	21	220	494	651	230	1,616
Boys	-	-	-	-	-	19	143	284	361	109	916
Girls	-	-	-	-	-	2	77	210	290	121	700
<b>Entered Technical Schools</b>											
Total	-	-	-	-	-	-	2	9	31	256	298
Boys	-	-	-	-	-	-	-	1	6	239	246
Girls	-	-	-	-	-	-	2	8	25	17	52
<b>Entered Private Schools</b>											
Total	-	19	28	28	53	44	64	82	153	170	641
Boys	-	9	21	18	38	39	40	47	87	114	413
Girls	-	10	7	10	15	5	24	35	66	56	228
<b>Other Causes</b>											
Total	1	13	9	5	14	29	13	42	81	129	336
Boys	-	7	4	4	4	20	8	17	27	111	202
Girls	1	6	5	1	10	9	5	25	54	18	134

PUPILS CLASSIFIED BY LOCALITY OF SCHOOL, CLASS, SEX AND WHETHER PROMOTED, REPEATERS OR NEW: 1964/65

Table 17.

Locality	Infants				Primary												All Classes		Total Both Sexes	
	Stage I		Stage II		Std. I		Std. II		Std. III		Std. IV		Std. V		Std. VI & VII		B	G		
	B	G	B	G	B	G	B	G	B	G	B	G	B	G	B	G	B	G		
MALTESE ISLANDS	P	-	-	2,573	2,188	3,007	3,065	3,082	2,809	2,898	2,851	2,858	2,768	2,311	2,410	1,350	1,175	18,079	17,270	35,349
	R	278	208	234	196	256	258	265	268	235	236	191	163	254	202	169	40	1,882	1,571	3,453
	NP	2,115	2,136	683	790	176	88	100	77	65	69	46	58	70	47	81	67	3,336	3,332	6,668
MALTA	P	-	-	2,292	1,942	2,780	2,729	2,770	2,537	2,596	2,552	2,553	2,486	2,035	2,125	1,170	1,037	16,194	15,408	31,602
	R	264	204	221	183	243	244	255	258	216	223	178	155	231	195	147	34	1,755	1,496	3,251
	NP	1,885	1,883	620	712	132	87	98	73	62	67	45	55	68	46	80	61	2,990	2,984	5,974
GOZO	P	-	-	281	246	227	340	312	272	302	299	305	282	278	285	180	138	1,885	1,862	3,747
	R	14	4	13	13	13	14	10	10	19	13	13	8	23	7	22	6	127	75	202
	NP	230	253	63	78	44	1	2	4	3	2	1	3	2	1	1	6	346	348	694
M A L T A :																				
URBAN CENTRAL:																				
Floriana	P	-	-	21	26	46	55	53	43	41	44	30	37	44	45	17	14	252	264	516
	R	3	3	-	5	3	2	5	5	7	3	4	-	11	10	3	3	36	31	67
	NP	21	29	13	10	3	1	-	-	1	1	-	2	4	-	2	10	44	53	97
Valletta	P	-	-	81	93	84	106	93	99	91	94	119	103	74	95	72	27	614	617	1,231
	R	9	7	5	6	5	17	-	12	1	2	2	3	3	10	-	1	25	58	83
	NP	100	80	18	14	5	4	9	5	-	4	5	4	4	-	5	-	146	111	257

PUPILS CLASSIFIED BY LOCALITY OF SCHOOL, CLASS, SEX AND WHETHER PROMOTED, REPEATERS OR NEW: 1964/65

Table 17 (Contd.)

Locality	Infants				Primary												All Classes		Total	
	Stage I		Stage II		Std. I		Std. II		Std. III		Std. IV		Std. V		Std. VI & VII				Both	
	B	G	B	G	B	G	B	G	B	G	B	G	B	G	B	G	B	G	Sexes	
<b>URBAN EAST:</b>																				
Copticus	P	-	-	57	78	88	88	92	73	94	87	68	85	70	75	62	35	531	521	1,052
	R	9	9	8	1	12	13	10	13	8	13	8	6	6	14	6	3	67	72	139
	NP	53	66	25	24	7	2	4	10	3	1	3	4	2	2	2	1	99	110	209
Senglea	P	-	-	61	53	65	42	65	60	39	45	43	40	48	36	12	15	333	291	624
	R	12	10	6	8	15	-	15	9	10	5	2	9	9	5	2	-	71	46	117
	NP	62	51	4	5	1	3	3	9	3	2	-	1	3	-	-	-	76	71	147
Vittoriosa	P	-	-	29	32	36	59	36	31	46	39	25	34	8	28	19	6	199	229	428
	R	6	1	-	2	-	7	-	5	1	4	-	-	5	4	4	1	16	24	40
	NP	29	34	5	8	4	-	4	4	4	3	1	-	3	1	4	2	54	52	106
<b>URBAN WEST:</b>																				
Hamrun	P	-	-	123	117	167	153	190	145	149	165	175	203	163	137	92	78	1,059	998	2,057
	R	13	19	10	10	17	11	15	17	16	9	14	7	17	16	23	1	127	90	217
	NP	118	72	59	83	12	18	6	7	9	6	1	8	13	14	1	2	219	210	429
Sta. Venera	P	-	-	37	29	34	19	29	23	21	37	36	36	21	26	-	-	178	170	348
	R	4	9	3	4	-	5	11	4	8	3	-	3	1	-	-	-	27	28	55
	NP	18	25	4	4	2	-	2	1	4	1	1	-	6	-	-	-	37	31	68
Marsa	P	-	-	114	79	144	128	134	125	143	133	138	111	84	111	47	53	804	740	1,544
	R	8	6	8	13	1	12	4	9	7	10	14	4	2	5	1	-	45	59	104
	NP	75	94	33	33	1	3	-	2	1	-	-	1	-	1	-	1	110	135	245

PUPILS CLASSIFIED BY LOCALITY OF SCHOOL, CLASS, SEX AND WHETHER PROMOTED, REPEATERS OR NEW: 1964/65

Table 17. (Contd.)

Locality	infants				Primary												All Classes		Total Both Sexes	
	Stage I		Stage II		Std. I		Std. II		Std. III		Std. IV		Std. V		Std. VI & VII					
	B	G	B	G	B	G	B	G	B	G	B	G	B	G	B	G				
<b>URBAN WEST (Contd.):</b>																				
Pieta'	P	-	-	20	20	29	21	18	17	23	19	31	-	20	9	-	8	141	94	235
	R	5	-	6	3	4	2	5	1	6	3	-	-	1	2	-	-	27	11	38
	NP	20	21	3	-	2	1	3	-	1	-	4	-	1	-	-	-	34	22	56
<b>SUBURBAN NORTH:</b>																				
Gzira	P	-	-	26	24	55	53	65	61	51	64	62	54	39	44	21	30	319	330	649
	R	2	1	-	-	5	3	1	6	5	2	1	-	8	-	8	-	30	12	42
	NP	27	30	36	15	17	7	10	6	4	5	3	6	5	-	2	1	104	70	174
Msida	P	-	-	30	31	27	67	59	66	56	63	45	56	49	49	6	25	272	357	629
	R	5	4	8	5	12	2	2	-	2	4	-	-	4	5	7	-	40	20	60
	NP	31	41	17	16	3	2	1	5	3	5	-	3	4	-	2	-	61	72	133
St. Julian's	P	-	-	48	40	45	59	40	71	43	68	36	61	17	62	16	11	245	372	617
	R	5	-	8	9	2	3	2	-	4	13	5	3	-	6	-	-	26	34	60
	NP	52	56	7	8	7	4	4	-	1	8	1	-	-	1	-	9	72	86	158
Sliema	P	-	-	34	37	51	49	95	72	105	62	101	56	82	48	69	6	537	330	867
	R	3	3	3	5	3	8	1	4	2	7	4	10	-	12	5	-	21	49	70
	NP	25	20	15	14	18	3	9	2	8	3	3	1	7	2	9	-	94	45	139
Malergh	P	-	-	23	16	22	18	21	21	29	-	11	-	9	-	9	-	124	56	180
	R	-	-	1	-	-	-	-	1	-	-	-	-	-	-	-	-	1	1	2
	NP	12	13	2	2	-	-	-	-	-	-	-	-	-	-	-	-	14	15	29

28

PUPILS CLASSIFIED BY LOCALITY OF SCHOOL, CLASS, SEX AND WHETHER PROMOTED, REPEATERS OR NEW: 1964/65

Table 17 (Contd.)

Locality	Infants				Primary												All Classes		Total	
	Stage I		Stage II		Std. I		Std. II		Std. III		Std. IV		Std. V		Std. VI & VII		Both			
	B	G	B	G	B	G	B	G	B	G	B	G	B	G	B	G	Sexes			
<b>SUBURBAN SOUTH:</b>																				
Paola	P	-	-	108	93	145	111	130	106	136	123	102	85	101	103	52	26	774	647	1,421
	R	25	13	10	6	15	17	19	15	15	11	18	19	12	17	4	-	118	98	216
	NP	90	80	20	29	13	11	11	6	6	5	6	5	5	7	29	3	180	146	326
Tarxien	P	-	-	61	35	64	39	50	42	60	48	60	56	39	32	12	16	346	268	614
	R	10	5	9	8	5	2	1	7	3	4	2	-	9	10	-	-	39	36	75
	NP	49	41	9	9	-	1	-	1	-	-	1	1	-	2	-	-	59	55	114
Zabbar	P	-	-	134	118	130	108	127	108	134	107	99	108	64	77	63	56	751	682	1,433
	R	1	-	5	4	-	4	4	15	6	25	-	12	4	4	8	1	28	65	93
	NP	97	96	19	20	-	-	3	3	1	2	1	2	1	1	-	1	122	125	247
M'Scala	P	-	-	10	5	14	6	9	8	7	8	7	5	1	6	-	-	48	38	86
	R	-	2	2	-	2	1	2	1	3	3	-	-	-	2	-	-	9	9	18
	NP	7	2	1	-	-	-	-	-	-	-	-	-	1	-	-	-	9	2	11
Kalkara	P	-	-	23	23	20	20	13	10	15	18	18	22	16	12	-	-	105	105	210
	R	-	-	1	3	2	-	1	-	1	1	-	-	3	2	-	-	8	6	14
	NP	12	18	1	3	-	-	-	-	-	1	1	-	-	-	-	-	14	22	36
Luqa	P	-	-	26	22	64	46	49	47	44	37	42	43	36	34	-	14	261	243	504
	R	4	4	3	8	3	5	1	8	1	6	-	2	2	9	-	-	14	42	56
	NP	40	38	22	17	1	1	1	-	-	-	-	1	-	-	-	-	64	57	121

PUPILS CLASSIFIED BY LOCALITY OF SCHOOL, CLASS, SEX AND WHETHER PROMOTED, REPEATERS OR NEW: 1964/65

Table 17. (Contd.)

Locality	Infants				Primary												All Classes		Total Both Sexes	
	Stage I		Stage II		Std. I		Std. II		Std. III		Std. IV		Std. V		Std. VI & VII		B	G		
	B	G	B	G	B	G	B	G	B	G	B	G	B	G	B	G				
<b>SUBURBAN SOUTH (Contd.):</b>																				
Fgura	P	-	-	26	22	15	16	14	14	14	34	8	18	10	13	-	-	87	117	204
	R	-	2	6	2	4	4	-	2	-	2	2	4	4	2	-	-	16	18	34
	NP	18	22	4	3	1	-	3	-	-	2	-	-	-	1	-	-	26	28	54
<b>CENTRAL:</b>																				
Attard	P	-	-	13	11	9	12	12	9	14	7	7	6	15	12	-	11	70	68	138
	R	2	-	2	1	4	-	2	-	1	1	-	-	3	-	-	-	14	2	16
	NP	8	13	-	-	-	-	-	1	-	-	-	-	-	-	-	-	8	14	22
B'Kara	P	-	-	149	101	152	176	151	175	149	175	156	158	102	110	50	81	909	976	1,885
	R	31	40	7	7	24	23	21	32	20	-	16	5	12	-	2	5	133	112	245
	NP	109	119	20	38	7	5	5	3	4	5	4	2	1	1	3	5	153	178	331
Lija	P	-	-	31	19	37	32	36	30	38	37	36	38	29	37	12	17	219	210	429
	R	3	-	2	-	6	4	4	10	-	5	2	2	1	14	-	-	18	35	53
	NP	22	19	8	14	3	4	1	2	2	1	-	-	1	-	1	-	38	40	78
Qormi	P	-	-	234	122	201	204	164	169	182	139	158	156	156	131	53	100	1,148	1,021	2,169
	R	13	16	15	14	18	16	22	20	22	21	11	16	20	12	18	2	139	117	256
	NP	141	123	39	61	7	6	-	3	3	5	4	5	2	6	2	9	198	218	416

PUPILS CLASSIFIED BY LOCALITY OF SCHOOL, CLASS, SEX AND WHETHER PROMOTED, REPEATERS OR NEW: 1964/65

Table 17. (Contd.)

Locality		Infants				Primary												All Classes		Total
		Stage I		Stage II		Std. I		Std. II		Std. III		Std. IV		Std. V		Std. VI & VII		B	G	Total
		B	G	B	G	B	G	B	G	B	G	B	G	B	G	B	G			
<b>SOUTHERN:</b>																				
B'Dugie	P	-	-	38	33	63	72	102	49	-	65	58	42	46	42	23	32	330	336	666
	R	6	2	6	5	5	4	11	3	-	4	6	-	2	-	1	1	37	19	56
	NP	27	39	4	17	3	2	3	-	-	3	1	2	-	-	1	-	39	63	102
M'Xiokk	P	-	-	23	14	18	18	10	13	11	10	20	20	11	13	-	9	93	97	190
	R	-	-	2	-	3	-	3	-	-	-	-	-	-	-	-	1	8	1	9
	NP	17	11	-	3	1	-	-	-	-	-	-	-	-	-	-	-	18	14	32
Ghaxaq	P	-	-	41	21	34	41	49	33	29	40	44	31	26	34	15	22	238	222	460
	R	1	1	-	2	8	3	6	2	4	1	10	5	-	-	4	-	33	14	47
	NP	21	23	10	9	-	1	-	1	-	-	-	-	-	-	-	1	31	41	72
Gudja	P	-	-	18	18	28	21	17	15	13	22	20	23	20	15	-	-	116	114	230
	R	1	2	4	-	6	-	5	2	6	3	4	2	3	-	-	-	29	9	38
	NP	14	10	4	5	-	-	-	-	1	-	-	1	-	-	-	-	19	16	35
Zejtun	P	-	-	68	75	151	154	99	109	109	110	90	94	75	61	83	44	675	647	1,322
	R	8	6	19	7	12	30	23	23	16	23	19	25	15	13	10	3	127	130	257
	NP	64	73	51	50	4	2	3	-	-	2	-	1	1	1	6	1	129	130	259
Qrandi	P	-	-	17	14	22	37	21	-	22	16	18	16	26	32	14	-	140	115	255
	R	-	-	-	-	2	-	2	-	-	4	3	3	-	7	1	-	8	14	22
	NP	10	12	-	-	-	-	1	-	-	-	-	1	1	-	-	-	12	19	31



PUPILS CLASSIFIED BY LOCALITY OF SCHOOL, CLASS, SEX AND WHETHER PROMOTED, REPEATERS OR NEW: 1964/65

Table 17. (Contd.)

GOVT. PRIMARY SCHOOLS

Locality	Infants				Primary												All Classes		Total Both Sexes	
	Stage I		Stage II		Std. I		Std. II		Std. III		Std. IV		Std. V		Std. VI & VII		B	G		
	B	G	B	G	B	G	B	G	B	G	B	G	B	G	B	G				
<b>SOUTHERN (Contd.)</b>																				
Zurrieq	P	-	-	81	63	100	86	90	80	77	88	79	80	68	62	59	64	554	523	1,077
	R	6	7	15	5	1	6	3	-	2	5	-	2	-	-	4	-	31	25	56
	NP	65	65	27	25	2	1	3	-	-	-	-	1	-	-	5	6	102	98	200
Kirkop	P	-	-	13	12	19	17	10	15	11	6	19	15	11	12	-	-	83	77	160
	R	4	2	4	5	2	2	1	2	-	3	-	-	-	-	-	-	11	14	25
	NP	19	15	4	-	-	-	-	-	-	-	-	-	-	-	-	-	23	15	38
Mqabba	P	-	-	20	16	23	23	28	28	25	22	21	25	21	25	8	7	146	146	292
	R	1	-	3	1	1	3	3	4	2	3	2	-	4	2	4	-	20	13	33
	NP	26	18	5	1	-	-	1	1	-	-	-	-	-	1	-	5	32	26	58
Safi	P	-	-	11	4	9	11	9	7	-	-	6	8	3	11	-	-	38	41	79
	R	1	-	2	2	1	-	-	-	-	-	-	-	5	5	-	-	9	7	16
	NP	2	9	1	-	-	-	-	-	-	-	-	-	-	-	-	-	3	9	12
<b>WESTERN:</b>																				
Rabat	P	-	-	94	90	131	119	152	120	129	95	134	121	82	107	79	11	801	663	1,464
	R	9	11	7	9	4	-	10	4	5	-	8	-	17	-	7	-	67	24	91
	NP	77	58	34	39	3	1	2	1	-	1	1	1	1	-	1	-	119	101	220
Dingli	P	-	-	11	17	23	23	23	17	29	17	17	17	19	18	13	15	135	124	259
	R	1	1	2	2	2	-	3	2	-	-	1	1	1	2	3	1	13	9	22
	NP	11	18	10	7	-	-	-	-	-	-	-	-	-	-	1	-	22	25	47

34

PUPILS CLASSIFIED BY LOCALITY OF SCHOOL, CLASS, SEX AND WHETHER PROMOTED, REPEATERS OR NEW: 1964/65

Table 17. (Contd.)

Locality		Infants				Primary												All Classes		Total
		Stage I		Stage II		Std. I		Std. II		Std. III		Std. IV		Std. V		Std. VI & VII		Both		
		B	G	B	G	B	G	B	G	B	G	B	G	B	G	B	G	Sexes		
<b>WESTERN (Contd.):</b>																				
Siggiewi	P	-	-	49	42	31	51	70	71	51	44	72	52	49	76	31	18	353	354	707
	R	4	-	-	1	-	3	-	2	-	2	1	-	7	2	6	-	18	10	28
	NP	49	48	8	11	1	1	-	-	-	-	-	-	-	1	1	-	59	61	120
Zebbug	P	-	-	96	69	95	92	74	103	86	86	84	101	73	70	59	54	567	575	1,142
	R	6	8	12	4	7	11	11	4	13	6	7	-	10	-	9	3	75	36	111
	NP	59	82	22	37	-	1	-	-	1	-	1	-	-	1	-	-	83	121	204
Bahrija	P	-	-	4	4	12	10	-	-	-	-	4	8	-	-	1	6	21	28	49
	R	2	1	2	-	3	1	-	-	3	-	2	1	2	-	-	3	14	6	20
	NP	1	5	-	-	-	-	-	-	-	-	-	-	-	-	-	-	1	5	6
Ghemieri	P	-	-	-	-	9	11	-	-	9	16	-	-	6	9	-	-	24	36	60
	R	2	2	-	-	2	-	-	-	1	-	-	-	1	-	-	-	6	2	8
	NP	3	14	-	-	-	-	-	-	-	-	-	-	-	-	-	-	3	14	17
Mtaħleb	P	-	-	11	2	7	5	6	3	6	12	8	5	2	7	4	7	44	41	85
	R	1	1	1	1	2	-	5	-	3	-	2	-	1	-	-	-	15	2	17
	NP	-	9	-	-	-	-	-	-	-	-	-	-	-	-	-	-	-	9	9
Fawwara	P	-	-	-	-	6	3	-	-	-	-	-	-	3	4	-	-	9	7	16
	R	5	1	-	-	-	-	-	-	-	-	-	-	-	-	-	-	5	1	6
	NP	-	-	-	-	-	-	-	-	-	-	-	-	-	-	-	-	-	-	-

PUPILS CLASSIFIED BY LOCALITY OF SCHOOL, CLASS, SEX AND WHETHER PROMOTED, REPEATERS OR NEW: 1964/65

Table 17. (Contd.)

Locality	Infants				Primary												All Classes		Total Both Sexes	
	Stage I		Stage II		Std. I		Std. II		Std. III		Std. IV		Std. V		Std. VI & VII		B	G		
	B	G	B	G	B	G	B	G	B	G	B	G	B	G	B	G				
NORTHERN:																				
Mellieha	P	-	-	24	25	62	46	50	42	55	51	48	67	39	40	30	34	308	305	613
	R	3	1	-	2	4	4	3	3	-	4	-	1	-	-	2	-	12	15	27
	NP	27	28	20	16	1	-	-	-	-	1	1	-	-	-	-	-	-	49	45
Mgarr	P	-	-	25	28	28	24	28	29	22	19	29	34	14	22	15	21	161	177	338
	R	3	-	3	5	3	3	3	2	3	2	2	1	1	-	-	-	18	13	31
	NP	22	-	3	25	-	1	-	-	-	-	1	-	-	-	-	-	26	26	52
Gharghur	P	-	-	16	19	17	22	21	20	26	24	23	26	18	20	-	-	121	131	252
	R	-	-	1	-	-	2	-	1	-	1	-	-	-	-	-	-	1	4	5
	NP	27	22	2	3	-	-	1	-	-	-	-	-	-	-	-	-	30	25	55
Naxxar	P	-	-	33	40	42	46	48	39	48	48	38	38	38	33	12	9	259	253	512
	R	7	3	-	3	5	2	1	3	3	3	3	5	13	3	2	-	34	22	56
	NP	39	35	5	8	1	-	1	-	-	-	-	-	-	2	2	4	48	49	97
Mosta	P	-	-	56	65	73	74	71	78	77	69	73	66	70	59	25	37	445	448	893
	R	16	-	10	5	3	7	9	5	6	2	3	2	8	-	3	3	58	24	82
	NP	46	55	17	16	2	1	4	-	-	-	1	1	-	1	1	-	71	74	145
St. Paul's Bay	P	-	-	24	25	33	36	47	40	37	38	35	26	16	21	15	18	207	204	411
	R	2	1	-	-	5	2	-	-	-	-	-	2	4	-	-	2	11	7	18
	NP	23	19	9	10	-	-	-	-	1	-	1	1	2	-	-	-	36	30	66

PUPILS CLASSIFIED BY LOCALITY OF SCHOOL, CLASS, SEX AND WHETHER PROMOTED, REPEATERS OR NEW: 1964/65

Table 17. (Contd.)

Locality	Infants				Primary												All Classes		Total Both Sexes	
	Stage I		Stage II		Std. I		Std. II		Std. III		Std. IV		Std. V		Std. VI & VII		B	G		
	B	G	B	G	B	G	B	G	B	G	B	G	B	G	B	G				
<b>NORTHERN (contd.):</b>																				
Bidnija	P	-	-	-	-	-	-	-	-	-	-	-	-	-	-	-	-	-	-	
	R	-	-	-	-	-	-	-	-	-	-	-	-	-	-	-	-	-	-	
	NP	-	-	-	-	-	-	-	-	-	-	-	-	-	-	-	-	-	-	
<b>G O Z O:</b>																				
Ghajnsiem	P	-	-	16	20	22	25	20	20	25	20	21	20	30	20	8	9	142	134	276
	R	2	1	3	2	-	-	-	-	-	-	-	-	1	-	4	2	10	5	15
	NP	18	22	-	1	-	-	1	-	3	-	-	1	-	1	-	-	22	24	46
Comino	P	-	-	-	-	-	-	-	-	4	2	-	-	-	-	-	-	4	2	6
	R	-	-	-	-	-	-	-	-	1	-	-	-	-	-	-	-	1	-	1
	NP	-	-	-	-	-	-	-	-	-	-	-	-	-	-	-	-	-	-	-
Gharib	P	-	-	11	7	8	7	5	6	9	8	11	12	10	12	7	-	61	52	113
	R	2	-	-	-	-	-	-	-	-	-	-	-	-	-	-	-	2	-	2
	NP	4	6	2	2	-	-	1	-	-	-	-	-	-	-	-	-	7	8	15
San Lawrence	P	-	-	3	3	4	2	7	3	-	-	1	12	7	1	-	-	22	21	43
	R	1	-	-	-	2	-	-	-	10	-	-	-	-	-	-	-	13	-	13
	NP	3	4	-	1	-	-	-	-	-	-	-	-	-	-	-	-	3	5	8

PUPILS CLASSIFIED BY LOCALITY OF SCHOOL, CLASS, SEX AND WHETHER PROMOTED, REPEATERS OR NEW: 1964/65

Table 17. (Contd.)

Locality	Infants				Primary												All Classes		Total	
	Stage I		Stage II		Std. I		Std. II		Std. III		Std. IV		Std. V		Std. VI & VII		Both			
	B	G	B	G	B	G	B	G	B	G	B	G	B	G	B	G	Sexes			
G O Z O (Contd.):																				
Kercem	P	-	-	12	11	12	14	12	11	16	14	16	13	10	15	6	6	84	84	168
	R	-	-	1	-	2	-	3	1	2	2	3	1	2	-	-	-	13	4	17
	NP	7	16	3	7	-	-	-	-	-	-	-	-	-	-	-	-	10	23	33
Nadur	P	-	-	76	38	29	46	52	40	49	42	47	45	49	44	52	24	354	279	633
	R	3	-	-	1	-	2	-	2	-	4	-	-	-	5	1	-	4	14	18
	NP	37	35	-	5	-	-	-	-	-	-	-	1	-	-	-	-	37	41	78
Qala	P	-	-	14	8	-	14	9	21	13	17	12	15	16	12	13	9	77	96	173
	R	-	-	-	-	-	2	-	-	-	-	-	-	4	-	3	1	7	3	10
	NP	19	15	3	7	18	-	-	-	-	2	-	-	-	-	-	-	40	24	64
Sannat	P	-	-	21	21	32	28	23	24	24	33	21	25	19	23	10	10	150	164	314
	R	-	-	-	-	3	2	2	1	-	2	-	-	-	-	1	-	6	5	11
	NP	20	26	9	8	2	-	-	3	-	-	1	2	1	-	-	-	33	39	72
Victoria	P	-	-	43	32	44	80	71	50	69	74	68	45	51	61	25	43	371	385	756
	R	4	2	5	4	1	3	-	1	2	1	3	1	2	-	9	3	26	15	41
	NP	44	50	28	27	-	1	-	1	-	-	-	-	-	-	1	3	73	82	155

PUPILS CLASSIFIED BY LOCALITY OF SCHOOL, CLASS, SEX AND WHETHER PROMOTED, REPEATERS OR NEW: 1964/65

Table 17. (Contd.)

Locality	Infants				Primary												All Classes		Total	
	Stage I		Stage II		Std. I		Std. II		Std. III		Std. IV		Std. V		Std. VI & VII		Both			
	B	G	B	G	B	G	B	G	B	G	B	G	B	G	B	G	Sexes			
G O Z O (Contd.):																				
Xaghra	P	-	-	28	30	43	58	50	49	42	44	47	43	34	48	25	37	269	309	578
	R	-	-	-	-	2	-	5	-	4	-	5	-	9	-	1	-	26	-	26
	NP	32	33	11	13	1	-	-	-	-	-	-	-	-	1	-	-	3	45	49
Xewkija	P	-	-	49	61	23	45	42	40	40	41	36	35	33	31	29	-	252	253	505
	R	2	1	4	6	-	5	-	4	-	4	2	6	5	2	3	-	16	28	44
	NP	33	33	4	5	23	-	-	-	-	-	-	-	-	-	-	-	60	38	98
Zebbug	P	-	-	6	10	5	18	15	4	11	4	15	14	14	12	5	-	71	62	133
	R	-	-	-	-	3	-	-	1	-	-	-	-	-	-	-	-	3	1	4
	NP	9	10	2	2	-	-	-	-	-	-	-	-	-	-	-	-	11	12	23
Ghasri	P	-	-	2	5	5	3	6	4	-	-	10	3	5	6	-	-	28	21	49
	R	-	-	-	-	-	-	-	-	-	-	-	-	-	-	-	-	-	-	-
	NP	4	3	1	-	-	-	-	-	-	-	-	-	-	-	-	-	5	3	8

GOVT. PRIMARY SCHOOLS

NUMBER AND PERCENTAGE OF REPEATERS BY LOCALITY GROUPS IN MALTA AND GOZO: 30th JUNE, 1965

Table 18.

Locality	Number of Pupils	Number of Repeaters	Percentage of Repeaters	Locality	Number of Pupils	Number of Repeaters	Percentage of Repeaters	Locality	Number of Pupils	Number of Repeaters	Percentage of Repeaters
MALTA:	40,827	3,251	8.0	SUBURBAN SOUTH: (Contd.)				WESTERN (Contd.):			
URBAN CENTRAL:				Kalkara	260	14	5.4	Bahrija	75	20	26.7
Floriana	680	67	9.9	Luqa	681	56	8.2	Ghemieri	85	8	9.4
Valetta	1,571	83	5.3	Fgura	292	34	11.6	Mtahieb	111	17	15.3
URBAN EAST:				CENTRAL:				Fawwara	22	6	27.3
Cospicua	1,400	139	9.9	Attard	176	16	9.1	NORTHERN:			
Senglea	888	117	13.2	B'Kara	2,461	245	10.0	Mellieha	734	27	3.7
Vittoriosa	574	40	7.0	Lija	560	53	9.5	Mgarr	421	31	7.4
URBAN WEST:				Qormi	2,841	256	9.0	Gharghur	312	5	1.6
Hamrun	2,703	217	8.0	SOUTHERN:				Naxxar	665	56	8.4
Sta. Venera	471	55	11.7	B' Bugia	824	56	6.8	Mosta	1,120	82	7.3
Marsa	1,893	104	5.5	M'Xlokk	231	9	3.9	St. Paul's	495	18	3.6
Pieta	329	38	11.6	Ghaxaq	579	47	8.1	Bidnija	-	-	-
SUBURBAN NORTH:				Gudja	303	38	12.5	GOZO:	4,643	202	4.4
Gzira	865	42	4.9	Zejtun	1,838	257	14.0	Gh'Sielem	337	15	4.5
Msida	822	60	7.3	Qrendi	308	22	7.1	Comino	7	1	14.3
St. Julian's	835	60	7.2	Zurrieq	1,333	56	4.2	Gharb	130	2	1.5
Sliema	1,076	70	6.5	Kirkop	223	25	11.2	St. Lawrenz	64	13	20.3
Msierah	211	2	0.9	Mqabba	383	33	8.6	Kercem	218	17	7.8
SUBURBAN SOUTH:				Safi	107	16	15.0	Nadur	729	18	2.5
Paola	1,963	216	11.0	WESTERN:				Qala	247	10	4.0
Tarxien	803	75	9.3	Rabat	1,775	91	5.1	Sannat	397	11	2.8
Zabbar	1,773	93	5.2	Dingli	328	22	6.7	Victoria	952	41	4.3
M'Skala	115	18	15.7	Siggiewi	855	28	3.3	Xaghra	698	26	3.7
				Zebbug	1,457	111	7.6	Xewkija	647	44	6.8
								Zebbug	160	4	2.5
								Ghasri	57	-	-

REPEATERS CLASSIFIED BY AGE, SEX AND CLASS: 1964/65

Table 19.

Class and Sex	Age										Total Repeaters	Total Pupils	Percentage of total pupils
	5	6	7	8	9	10	11	12	13	14 & Over			
<b>MALTESE ISLANDS</b>	1	26	377	363	339	379	468	525	655	320	3,453	45,470	7.6
<b>MALTA</b>	1	24	359	344	317	359	443	496	611	297	3,251	40,827	7.9
<b>GOZO</b>	-	2	18	19	22	20	25	29	44	23	202	4,643	4.4
<b>M A L T A :</b>													
<b>INFANTS:</b>													
Stage I	B	-	14	187	56	5	1	1	-	-	264	2,205	12.0
	G	1	10	132	54	3	3	1	-	-	204	2,111	9.7
Stage II	B	-	-	21	105	78	15	2	-	-	221	3,077	7.2
	G	-	-	17	93	59	11	3	-	-	183	2,814	6.5
<b>PRIMARY:</b>													
Standard I	B	-	-	1	12	70	98	41	16	4	243	3,155	7.7
	G	-	-	1	22	76	88	41	14	2	244	3,059	8.0
Standard II	B	-	-	-	-	11	55	91	68	24	255	3,123	8.2
	G	-	-	-	1	14	69	107	50	16	258	2,868	9.0
Standard III	B	-	-	-	1	1	4	54	89	54	216	2,874	7.5
	G	-	-	-	-	-	14	73	85	39	223	2,842	7.8
Standard IV	B	-	-	-	-	-	1	13	46	70	178	2,776	6.4
	G	-	-	-	-	-	-	12	50	84	155	2,696	5.7
Standard V	B	-	-	-	-	-	-	-	31	133	231	2,332	9.9
	G	-	-	-	-	-	-	3	45	134	195	2,366	8.2
Standard VI	B	-	-	-	-	-	-	1	1	29	118	1,194	9.9
	G	-	-	-	-	-	-	-	1	22	31	1,076	2.9
Standard VII	B	-	-	-	-	-	-	-	-	29	29	203	14.3
	G	-	-	-	-	-	-	-	-	3	3	56	5.4
<b>G O Z O :</b>													
<b>INFANTS:</b>													
Stage I	B	-	1	13	-	-	-	-	-	-	14	273	5.1
	G	-	1	1	1	-	-	1	-	-	4	257	1.6
Stage II	B	-	-	1	7	5	-	-	-	-	13	328	4.0
	G	-	-	3	9	1	-	-	-	-	13	337	3.9
<b>PRIMARY:</b>													
Standard I	B	-	-	-	-	7	5	1	-	-	13	284	4.6
	G	-	-	-	2	6	3	3	-	-	14	355	3.9
Standard II	B	-	-	-	-	3	1	5	1	-	10	324	3.1
	G	-	-	-	-	-	7	2	1	-	10	286	3.5
Standard III	B	-	-	-	-	-	3	6	3	7	19	324	5.9
	G	-	-	-	-	-	1	6	6	-	13	314	4.1
Standard IV	B	-	-	-	-	-	-	-	5	8	13	319	4.1
	G	-	-	-	-	-	-	-	4	4	8	293	2.7
Standard V	B	-	-	-	-	-	-	1	9	12	23	303	7.6
	G	-	-	-	-	-	-	-	-	7	7	293	2.4
Standard VI	B	-	-	-	-	-	-	-	-	1	22	203	10.8
	G	-	-	-	-	-	-	-	5	1	6	142	4.2
Standard VII	B	-	-	-	-	-	-	-	-	-	-	-	-
	G	-	-	-	-	-	-	-	-	-	-	8	-



GOVT. PRIMARY SCHOOLS

SUMMARY TABLE OF REPEATERS IN INFANT AND PRIMARY SECTIONS: 1964/65

Table 20.

Sections	Malta			Gozo		
	Number of Pupils	Number of Repeaters	Percentage of Repeaters	Number of Pupils	Number of Repeaters	Percentage of Repeaters
Both Sections	40,827	3,251	8.0	4,643	202	4.4
Infants	10,207	872	8.5	1,195	44	3.7
Primary	30,620	2,379	7.8	3,448	158	4.6

ABSENCES OF PUPILS: 1964/65

Table 21.

Class	No. of pupils with the following no. of absences (sessions)														Total Number of Pupils *	Number of Absences	Average Number of absences per pupil
	1	10	20	30	40	50	60	70	80	90	100	150	200 & Over				
Boys																	
Stage I	509	565	510	321	188	121	74	50	34	17	28	11	13	2,441	70,680	29.0	
Stage II	957	924	628	331	177	111	67	28	19	9	34	6	16	3,307	76,199	23.0	
Standard I	1,133	1,017	527	288	145	79	39	34	11	15	16	7	12	3,323	66,733	20.1	
Standard II	1,048	902	588	299	202	99	48	37	26	18	37	14	32	3,350	82,078	24.5	
Standard III	906	846	531	274	172	113	65	49	30	23	52	25	25	3,111	82,441	26.5	
Standard IV	905	854	506	300	168	83	54	40	26	21	46	14	21	3,038	75,162	24.7	
Standard V	704	685	441	259	154	106	70	40	32	17	34	15	18	2,575	68,881	26.7	
Standard VI	251	332	212	186	121	63	51	48	26	20	48	13	14	1,385	49,271	35.6	
Standard VII	36	39	33	23	20	8	11	3	10	4	8	4	1	200	7,787	38.9	
Girls																	
Stage I	463	538	472	335	200	111	61	42	24	22	38	10	12	2,328	68,066	29.2	
Stage II	794	905	570	364	190	108	42	40	22	14	28	5	6	3,088	71,764	23.2	
Standard I	1,044	998	536	283	168	107	68	43	17	11	31	6	14	3,326	74,430	22.4	
Standard II	971	843	518	289	151	85	60	34	29	25	30	14	21	3,070	73,758	24.0	
Standard III	865	804	572	299	176	114	64	46	30	20	67	18	44	3,059	87,132	28.5	
Standard IV	809	805	452	316	164	122	64	43	32	23	56	17	32	2,935	81,364	27.7	
Standard V	702	602	428	280	150	112	67	42	29	32	71	27	62	2,604	87,693	33.7	
Standard VI	239	251	162	150	97	67	51	33	31	22	46	19	31	1,199	48,940	40.8	
Standard VII	10	9	11	9	3	6	2	4	1	1	4	-	1	61	2,519	41.3	

\* Includes non-absentees

GOVT. PRIMARY SCHOOLS

NUMBER AND PERCENTAGE OF PUPILS TAKING MILK, COD LIVER OIL AND TABLETS, CLASSIFIED BY SEX: 1964/65

Table 22.

Nourishments	Total	%	Boys	%	Girls	%
Maltese Islands						
Milk/Cod liver oil/Tablets	3,340	7.3	1,562	6.7	1,778	8.0
Milk/Cod liver oil	1,902	4.2	921	4.0	981	4.4
Milk/Tablets	6,818	15.0	3,141	13.5	3,677	16.6
Cod liver oil/Tablets	217	0.5	116	0.5	101	0.5
Milk	26,788	58.9	13,959	59.9	12,829	57.9
Cod liver oil	181	0.4	118	0.5	63	0.3
Tablets	885	1.9	498	2.1	387	1.7
Pupils not taking nourishments	5,339	11.8	2,982	12.8	2,357	10.6
<b>TOTAL</b>	<b>45,470</b>	<b>100.0</b>	<b>23,297</b>	<b>100.0</b>	<b>22,173</b>	<b>100.0</b>
Malta						
Milk/Cod liver oil/Tablets	3,330	8.2	1,558	7.5	1,772	8.9
Milk/Cod liver oil	1,438	3.5	720	3.4	718	3.6
Milk/Tablets	6,785	16.6	3,127	14.9	3,658	18.4
Cod liver oil/Tablets	216	0.5	116	0.6	100	0.5
Milk	23,867	58.5	12,573	60.0	11,294	56.9
Cod liver oil	126	0.3	82	0.4	44	0.2
Tablets	878	2.1	493	2.4	385	1.9
Pupils not taking nourishments	4,187	10.3	2,270	10.8	1,917	9.6
<b>TOTAL</b>	<b>40,827</b>	<b>100.0</b>	<b>20,939</b>	<b>100.0</b>	<b>19,888</b>	<b>100.0</b>
Gozo						
Milk/Cod liver oil/Tablets	10	0.2	4	0.2	6	0.3
Milk/Cod liver oil	464	10.0	201	8.5	263	11.5
Milk/Tablets	33	0.7	14	0.6	19	0.8
Cod liver oil/Tablets	1	-	-	-	1	-
Milk	2,921	62.9	1,386	58.8	1,535	67.2
Cod liver oil	55	1.2	36	1.5	19	0.8
Tablets	7	0.2	5	0.2	2	0.1
Pupils not taking nourishments	1,152	24.8	712	30.2	440	19.3
<b>TOTAL</b>	<b>4,643</b>	<b>100.0</b>	<b>2,358</b>	<b>100.0</b>	<b>2,285</b>	<b>100.0</b>

GOVT. PRIMARY SCHOOLS

TEACHING STAFF CLASSIFIED BY AGE, SEX AND STATUS, 1964/65

Table 23:

Age	Total	Males		Females		Age	Total	Males		Females	
		Perm.	Temp.	Perm.	Temp.			Perm.	Temp.	Perm.	Temp.
Total	2,005	558	224	935	288	39	35	13	4	17	1
Under 20	40	-	9	9	22	40 - 44	134	40	6	82	6
16	-	-	-	-	-	40	28	8	1	18	1
17	-	-	-	-	-	41	24	9	2	10	3
18	3	-	1	-	2	42	28	8	2	17	1
19	37	-	8	9	20	43	25	5	-	19	1
20 - 24	748	87	158	320	183	44	29	10	1	18	-
20	144	1	32	66	45	45 - 49	110	50	2	53	5
21	181	11	47	73	50	45	29	10	2	15	2
22	158	14	40	60	44	46	34	16	-	17	1
23	129	22	24	58	25	47	16	8	-	7	1
24	136	39	15	63	19	48	18	9	-	8	1
25 - 29	438	164	32	197	45	49	13	7	-	6	1
25	117	44	9	45	19	50 - 54	100	45	-	51	4
26	101	34	3	52	12	50	15	6	-	9	-
27	69	26	11	25	7	51	18	5	-	10	3
28	72	31	3	34	4	52	21	12	-	9	-
29	79	29	6	41	3	53	27	14	-	12	1
30 - 34	214	87	9	103	15	54	19	8	-	11	-
30	50	21	4	23	2	55 - 59	47	12	-	31	4
31	38	17	1	18	2	55	11	2	-	9	-
32	38	16	1	17	4	56	6	2	-	4	-
33	40	12	2	23	3	57	10	5	-	5	-
34	48	21	1	22	4	58	9	1	-	6	2
35 - 39	174	73	8	89	4	59	8	2	-	5	1
35	39	14	1	22	2	60 & Over	3	-	-	2	1
36	29	16	1	12	-						
37	35	12	1	21	1						
38	36	18	1	17	-						

## TEACHING STAFF CLASSIFIED BY TYPE OF SCHOOL, SEX AND STATUS: 1964/65

Table 24.

Type of School	Headteachers		School Assistants				Teachers							
			i/c School		not i/c School		Permanent i/c of Class		Permanent not i/c of Class		Temporary i/c of Class		Temporary not i/c of Class	
	M	F	M	F	M	F	M	F	M	F	M	F	M	F
<u>ALL TYPES</u>														
Maltese Islands	53	47	11	3	35	21	545	925	13	10	218	288	6	-
Malta	46	42	5	2	34	21	447	795	12	9	218	287	5	-
Gozo	7	5	6	1	1	-	98	130	1	1	-	1	1	-
<u>INFANTS</u>														
Maltese Islands	-	12	-	-	-	-	-	141	-	2	-	49	-	-
Malta	-	11	-	-	-	-	-	129	-	2	-	49	-	-
Gozo	-	1	-	-	-	-	-	12	-	-	-	-	-	-
<u>BOYS</u>														
Maltese Islands	31	-	1	-	31	-	424	17	12	1	182	2	4	-
Malta	27	-	-	-	30	-	362	17	11	1	182	2	3	-
Gozo	4	-	1	-	1	-	62	-	1	-	-	-	1	-
<u>GIRLS</u>														
Maltese Islands	-	12	-	-	-	10	-	247	-	2	-	61	-	-
Malta	-	11	-	-	-	10	-	233	-	1	-	61	-	-
Gozo	-	1	-	-	-	-	-	14	-	1	-	-	-	-
<u>BOYS/GIRLS</u>														
Maltese Islands	-	-	1 <sup>#</sup>	-	-	-	-	-	-	-	-	-	-	-
Malta	-	-	-	-	-	-	-	-	-	-	-	-	-	-
Gozo	-	-	1	-	-	-	-	-	-	-	-	-	-	-
<u>GIRLS/INFANTS</u>														
Maltese Islands	-	23	-	2	-	4	-	349	-	1	-	114	-	-
Malta	-	20	-	1	-	4	-	287	-	1	-	113	-	-
Gozo	-	3	-	1	-	-	-	62	-	-	-	1	-	-
<u>BOYS/INFANTS</u>														
Maltese Islands	2	-	-	-	1	-	26	7	-	-	2	1	1	-
Malta	2	-	-	-	1	-	26	7	-	-	2	1	1	-
Gozo	-	-	-	-	-	-	-	-	-	-	-	-	-	-
<u>BOYS/GIRLS/INFANTS</u>														
Maltese Islands	20	-	9	1	3	7	95	164	1	4	34	61	1	-
Malta	17	-	5	1	3	7	59	122	1	4	34	61	1	-
Gozo	3	-	4	-	-	-	36	42	-	-	-	-	-	-

\* Includes Headteachers and School Assistants who normally do not teach

# 1 teacher in charge of school at Comino

GOVT. PRIMARY SCHOOLS

SUMMARY OF ITEMS CONNECTED WITH PREMISES: MALTESE ISLANDS: 1963/64 - 1964/65

Table 25.

Item	1963/64			1964/65			Increase (+) or Decrease (-)		
	Malta	Gozo	Total	Malta	Gozo	Total	Malta	Gozo	Total
Number of School Premises	120	22	142	119	20	139	- 1	- 2	- 3
a) Government owned	91	16	107	90	18	108	- 1	+ 2	+ 1
b) Privately owned	29	6	35	29	2	31	-	- 4	- 4
Total number of rooms	2,343	370	2,713	2,383	350	2,733	+ 40	+ 20	+ 20
Rooms in use as:									
a) Classrooms	1,842	239	2,081	1,836	259	2,095	- 6	+ 20	+ 14
b) Workshops	21	7	28	23	7	30	+ 2	-	+ 2
c) Needlework or Domestic Science rooms	38	9	47	39	9	48	+ 1	-	+ 1
d) Offices	119	19	138	122	21	143	+ 3	+ 2	+ 5
e) Staffrooms	38	9	47	43	12	55	+ 5	+ 3	+ 8
f) Storerooms	120	29	149	122	20	142	+ 2	- 9	- 7
g) Other rooms	165	58	223	198	22	220	+ 33	- 36	- 3

NUMBER OF SCHOOLS, PREMISES, ROOMS, CLASSROOMS, ETC: 1964/65

Table 26.

Type of School	Schools	Premises			Total Number of Rooms	Classrooms	Workshops	Needlework and Domestic Science Rooms	Offices	Staffrooms	Storerooms	Other Rooms
		Total No. of	Government Owned	Privately Owned								
<b>ALL TYPES:</b>												
Maltese Islands	113	139	108	31	2,733	2,095	30	48	143	55	142	220
Malta	94	119	90	29	2,383	1,836	23	39	122	43	122	198
Gozo	19	20	18	2	350	259	7	9	21	12	20	22
<b>INFANTS:</b>												
Maltese Islands	12	15	13	2	240	192	-	-	12	6	11	19
Malta	11	14	12	2	226	180	-	-	11	6	10	19
Gozo	1	1	1	-	14	12	-	-	1	-	1	-
<b>BOYS:</b>												
Maltese Islands	32	40	36	4	881	667	22	-	42	19	51	80
Malta	27	35	31	4	780	595	17	-	37	16	43	72
Gozo	5	5	5	-	101	72	5	-	5	3	8	8
<b>GIRLS:</b>												
Maltese Islands	11	13	11	2	379	313	-	12	19	5	14	16
Malta	10	12	10	2	361	299	-	11	18	4	14	15
Gozo	1	1	1	-	18	14	-	1	1	1	-	1
<b>BOYS/GIRLS:</b>												
Maltese Islands	1	1	1	-	2	1	-	-	-	1	-	-
Malta	-	-	-	-	-	-	-	-	-	-	-	-
Gozo	1	1	1	-	2	1	-	-	-	1	-	-
<b>GIRLS/INFANTS:</b>												
Maltese Islands	26	32	22	10	606	493	-	17	33	7	25	31
Malta	22	27	17	10	502	414	-	13	26	4	20	25
Gozo	4	5	5	-	104	79	-	4	7	3	5	6
<b>BOYS/INFANTS:</b>												
Maltese Islands	2	4	2	2	45	37	2	-	2	-	3	1
Malta	2	4	2	2	45	37	2	-	2	-	3	1
Gozo	-	-	-	-	-	-	-	-	-	-	-	-
<b>BOYS/GIRLS/INFANTS:</b>												
Maltese Islands	29	35	27	8	580	392	6	19	35	17	38	73
Malta	22	26	20	6	469	311	4	15	28	13	32	66
Gozo	7	9	7	2	111	81	2	4	7	4	6	7

**GOVT. PRIMARY SCHOOLS**

GOVERNMENT INFANT AND PRIMARY SCHOOLS, CLASSIFIED BY TYPE OF SCHOOL AND NUMBER OF PREMISES: 1964/65

Table 27.

Type of School	Total No. of Schools	School housed in				Total No. of Premises
		1 Premises	2 Premises	3 Premises	4 Premises	
<b>ALL TYPES:</b>						
Maltese Islands	113	90	19	4	-	140
Malta	94	73	18	3	-	118
Gozo	19	17	1	1	-	22
<b>INFANTS:</b>						
Maltese Islands	12	9	3	-	-	15
Malta	11	8	3	-	-	14
Gozo	1	1	-	-	-	1
<b>BOYS:</b>						
Maltese Islands	32	25	6	1	-	40
Malta	27	20	6	1	-	35
Gozo	5	5	-	-	-	5
<b>GIRLS:</b>						
Maltese Islands	11	9	2	-	-	13
Malta	10	8	2	-	-	12
Gozo	1	1	-	-	-	1
<b>BOYS/GIRLS:</b>						
Maltese Islands	1	1	-	-	-	1
Malta	-	-	-	-	-	-
Gozo	1	1	-	-	-	1
<b>GIRLS/INFANTS:</b>						
Maltese Islands	26	21	4	1	-	32
Malta	22	18	3	1	-	27
Gozo	4	3	1	-	-	5
<b>BOYS/INFANTS:</b>						
Maltese Islands	2	1	-	1	-	4
Malta	2	1	-	1	-	4
Gozo	-	-	-	-	-	-
<b>BOYS/GIRLS/INFANTS:</b>						
Maltese Islands	29	24	4	1	-	35
Malta	22	18	4	-	-	26
Gozo	7	6	-	1	-	9

## SUMMARY TABLE OF CLASSES, PUPILS AND TEACHERS IN EACH SCHOOL: 1964/65

Table 28.

School	Number of Schools	Number of Classes	Pupils			Teaching Staff		
			Total	Boys	Girls	Total	Males	Females
MALTESE ISLANDS	6	157	3,755	1,474	2,281	275	143	152
MALTA	4	134	3,207	1,315	1,892	235	119	116
GOZO	2	23	548	160	388	40	24	36
<b>M A L T A :</b>								
Boys:								
Lyceum (Hamrun)	1	58	1,315	1,314	1	100	100	-
Girls:								
St. Louis Grammar School (Sliema)	1	11	225	-	225	23	3	20
Grammar School (Biata l-Bajda)	1	49	1,302	-	1,302	85	13	72
St. Theresa Grammar School (Mdina)	1	16	365	-	365	27	3	24
<b>G O Z O :</b>								
Boys:								
Lyceum (Victoria)	1	8	160	160	-	13	13	-
Girls:								
St. Mary Grammar School (Victoria)	1	15	388	-	388	27	11	16

## NUMBER AND PERCENTAGE OF PUPILS BY AGE AND SEX: 30TH JUNE, 1965

Table 29.

Age	Number of Pupils			Percentages		
	Total	Boys	Girls	Total	Boys	Girls
Total all ages	3,755	1,474	2,281	100.0	100.0	100.0
9	-	-	-	-	-	-
10	2	-	2	0.1	-	0.1
11	93	44	49	2.5	3.0	2.2
12	287	124	163	7.6	8.4	7.2
13	669	253	416	17.8	17.2	18.2
14	748	314	434	19.9	21.3	19.0
15	734	268	466	19.6	18.2	20.4
16	646	245	401	17.2	16.6	17.6
17	407	161	246	10.8	10.9	10.8
18	158	62	96	4.2	4.2	4.2
19	8	3	5	0.2	0.2	0.2
20 and over	3	-	3	0.1	-	0.1



GOVT. GRAMMAR SCHOOLS

NUMBER AND PERCENTAGE OF PUPILS CLASSIFIED BY CLASS AND SEX: 30th JUNE, 1965

Table 30.

Class	Pupils			Percentages		
	Total	Boys	Girls	Total	Boys	Girls
Total all Classes	3,755	1,474	2,281	100.0	100.0	100.0
Class I	986	341	645	26.2	23.1	28.2
Class II	805	285	520	21.5	19.3	22.8
Class III	800	335	465	21.3	22.8	20.4
Class IV	570	238	332	15.2	16.2	14.6
Class V	462	208	254	12.4	14.1	11.1
Class VI (Metric.)	12	12	-	0.3	0.8	-
Sixth Form Arts (1st Year)	69	15	54	1.8	1.0	2.4
Sixth Form Arts (2nd Year)	16	6	10	0.4	0.4	0.4
Sixth Form Science (1st Year)	28	27	1	0.7	1.8	0.1
Sixth Form Science (2nd Year)	7	7	-	0.2	0.5	-

PUPILS CLASSIFIED BY CLASS, SEX AND AGE: 30th JUNE, 1965

Table 31.

Class and Sex	Age												Total	
	9	10	11	12	13	14	15	16	17	18	19	20 & Over		
Total all Classes	T	-	2	93	287	669	748	734	646	407	158	8	3	3,755
	B	-	-	44	124	253	314	268	245	161	62	3	-	1,474
	G	-	2	49	163	416	434	466	401	246	96	5	3	2,281
Class I	T	-	2	90	229	417	239	9	-	-	-	-	-	986
	B	-	-	44	91	132	71	3	-	-	-	-	-	341
	G	-	2	46	138	285	168	6	-	-	-	-	-	645
Class II	T	-	-	3	50	182	282	241	36	11	-	-	-	805
	B	-	-	-	28	79	102	67	8	1	-	-	-	285
	G	-	-	3	22	103	180	174	28	10	-	-	-	520
Class III	T	-	-	-	8	61	164	299	237	27	3	1	-	800
	B	-	-	-	5	34	92	116	70	14	3	1	-	335
	G	-	-	-	3	27	72	183	167	13	-	-	-	465
Class IV	T	-	-	-	-	8	56	134	213	144	12	2	1	570
	B	-	-	-	-	8	42	54	79	45	9	1	-	238
	G	-	-	-	-	-	14	80	134	99	3	1	1	332
Class V	T	-	-	-	-	1	7	47	116	173	112	4	2	462
	B	-	-	-	-	-	7	26	66	72	37	-	-	208
	G	-	-	-	-	1	-	21	50	101	75	4	2	254
Class VI (Metric.)	T	-	-	-	-	-	-	1	3	3	5	-	-	12
	B	-	-	-	-	-	-	1	3	3	5	-	-	12
	G	-	-	-	-	-	-	-	-	-	-	-	-	-
Sixth Form Arts (1st year)	T	-	-	-	-	-	-	3	28	19	18	1	-	69
	B	-	-	-	-	-	-	1	9	3	1	1	-	15
	G	-	-	-	-	-	-	2	19	16	17	-	-	54
Sixth Form Arts (2nd year)	T	-	-	-	-	-	-	-	2	11	3	-	-	16
	B	-	-	-	-	-	-	-	-	4	2	-	-	6
	G	-	-	-	-	-	-	-	2	7	1	-	-	10
Sixth Form Science (1st yr.)	T	-	-	-	-	-	-	-	11	17	-	-	-	28
	B	-	-	-	-	-	-	-	10	17	-	-	-	27
	G	-	-	-	-	-	-	-	1	-	-	-	-	1
Sixth Form Science (2nd yr.)	T	-	-	-	-	-	-	-	-	2	5	-	-	7
	B	-	-	-	-	-	-	-	-	2	5	-	-	7
	G	-	-	-	-	-	-	-	-	-	-	-	-	-

MEAN AGE OF PUPILS BY CLASS AND SEX: 1964/65

Table 32.

	Total	Boys	Girls
Class I	12.8	12.7	12.9
Class II	13.5	13.8	14.2
Class III	15.6	14.8	15.1
Class IV	15.8	15.6	15.3
Class V	16.8	16.5	17.0
Class VI (Matric.)	17.0	17.0	-
Sixth Form Arts (1st year)	16.8	16.5	16.9
Sixth Form Arts (2nd year)	17.1	17.1	16.9
Sixth Form Science (1st year)	16.6	16.0	16.0
Sixth Form Science (2nd year)	17.7	17.7	-

PROMOTED PUPILS CLASSIFIED BY CLASS, AGE AND SEX: 1964/65

Table 33.

Class and Sex	Age												Total	
	9	10	11	12	13	14	15	16	17	18	19	20 & Over		
Total all Classes	T	-	-	3	58	242	484	695	595	385	140	6	2	2,610
	B	-	-	-	33	114	237	255	219	147	52	3	-	1,060
	G	-	-	3	25	128	247	440	376	238	88	3	2	1,550
Class I	T	-	-	-	-	-	-	-	-	-	-	-	-	-
	B	-	-	-	-	-	-	-	-	-	-	-	-	-
	G	-	-	-	-	-	-	-	-	-	-	-	-	-
Class II	T	-	-	3	50	173	261	217	22	11	-	-	-	737
	B	-	-	-	28	73	99	62	3	1	-	-	-	266
	G	-	-	3	22	100	162	155	19	10	-	-	-	471
Class III	T	-	-	-	8	60	160	295	212	21	-	1	-	757
	B	-	-	-	5	33	89	113	54	9	-	1	-	304
	G	-	-	-	3	27	71	182	158	12	-	-	-	453
Class IV	T	-	-	-	-	8	56	132	206	134	7	2	-	545
	B	-	-	-	-	8	42	52	74	39	4	1	-	220
	G	-	-	-	-	-	14	80	132	95	3	1	-	325
Class V	T	-	-	-	-	1	7	47	116	172	108	2	2	455
	B	-	-	-	-	-	7	26	66	71	35	-	-	205
	G	-	-	-	-	1	-	21	50	101	73	2	2	250
Class VI (Matric.)	T	-	-	-	-	-	-	1	3	3	5	-	-	12
	B	-	-	-	-	-	-	1	3	3	5	-	-	12
	G	-	-	-	-	-	-	-	-	-	-	-	-	-
Sixth Form Arts (1st year)	T	-	-	-	-	-	-	3	23	16	12	1	-	55
	B	-	-	-	-	-	-	1	9	3	1	1	-	15
	G	-	-	-	-	-	-	2	14	13	11	-	-	40
Sixth Form Arts (2nd year)	T	-	-	-	-	-	-	-	2	9	3	-	-	14
	B	-	-	-	-	-	-	-	-	2	2	-	-	4
	G	-	-	-	-	-	-	-	2	7	1	-	-	10
Sixth Form Science (1st year)	T	-	-	-	-	-	-	-	11	17	-	-	-	28
	B	-	-	-	-	-	-	-	10	17	-	-	-	27
	G	-	-	-	-	-	-	-	1	-	-	-	-	1
Sixth form Science (2nd year)	T	-	-	-	-	-	-	-	-	2	5	-	-	7
	B	-	-	-	-	-	-	-	-	2	5	-	-	7
	G	-	-	-	-	-	-	-	-	-	-	-	-	-

GOVT. GRAMMAR SCHOOLS

REPEATERS CLASSIFIED BY CLASS, AGE AND SEX: 1964/65

Table 34.

Class and Sex	Age												Total	
	9	10	11	12	13	14	15	16	17	18	19	20 & Over		
Total All Classes	T	-	-	1	10	13	17	23	41	19	12	2	-	138
	B	-	-	-	2	5	7	13	23	14	10	-	-	74
	G	-	-	1	8	8	10	10	18	5	2	2	-	64
Class I	T	-	-	1	10	10	12	9	-	-	-	-	-	42
	B	-	-	-	2	2	4	3	-	-	-	-	-	11
	G	-	-	1	8	8	8	6	-	-	-	-	-	31
Class II	T	-	-	-	-	2	4	9	13	-	-	-	-	28
	B	-	-	-	-	2	2	5	5	-	-	-	-	14
	G	-	-	-	-	-	2	4	8	-	-	-	-	14
Class III	T	-	-	-	-	1	1	3	22	6	3	-	-	36
	B	-	-	-	-	1	1	3	14	5	3	-	-	27
	G	-	-	-	-	-	-	-	8	1	-	-	-	9
Class IV	T	-	-	-	-	-	-	2	6	10	5	-	-	23
	B	-	-	-	-	-	-	2	4	6	5	-	-	17
	G	-	-	-	-	-	-	-	2	4	-	-	-	6
Class V	T	-	-	-	-	-	-	-	-	1	4	2	-	7
	B	-	-	-	-	-	-	-	-	1	2	-	-	3
	G	-	-	-	-	-	-	-	-	-	2	2	-	4
Class VI	T	-	-	-	-	-	-	-	-	2	-	-	-	2
	B	-	-	-	-	-	-	-	-	2	-	-	-	2
	G	-	-	-	-	-	-	-	-	-	-	-	-	-

SUMMARY TABLE OF NEW PUPILS CLASSIFIED BY AGE, SEX AND DETAILS OF ADMISSION: 1964/65

Table 35.

Details of Admission	Age												Total	
	9	10	11	12	13	14	15	16	17	18	19	20 & Over		
Total new pupils	T	-	2	89	219	414	247	16	10	3	6	-	1	1,007
	B	-	-	44	89	134	70	-	3	-	-	-	-	340
	G	-	2	45	130	280	177	16	7	3	6	-	1	667
Admitted from Govt. Primary Schools	T	-	2	78	195	386	218	-	-	-	-	-	-	879
	B	-	-	37	79	123	67	-	-	-	-	-	-	306
	G	-	2	41	116	263	151	-	-	-	-	-	-	573
Admitted from Private Schools	T	-	-	11	24	28	29	16	10	3	6	-	1	128
	B	-	-	7	10	11	3	-	3	-	-	-	-	34
	G	-	-	4	14	17	26	16	7	3	6	-	1	94

## NEW PUPILS CLASSIFIED BY AGE, SEX AND CLASS TO WHICH ADMITTED: 1964/65

Table 36.

Class and Sex		Age											Total	
		9	10	11	12	13	14	15	16	17	18	19		20 & Over
		Total Admissions												
Total		-	2	89	219	414	247	16	10	3	6	-	1	1,007
Boys		-	-	44	89	134	70	-	3	-	-	-	-	340
Girls		-	2	45	130	280	177	16	7	3	6	-	1	667
		Admission by Class												
Class I	B	-	-	44	89	130	67	-	-	-	-	-	-	330
	G	-	2	45	130	277	160	-	-	-	-	-	-	614
Class II	B	-	-	-	-	4	1	-	-	-	-	-	-	5
	G	-	-	-	-	3	16	15	1	-	-	-	-	35
Class III	B	-	-	-	-	-	2	-	2	-	-	-	-	4
	G	-	-	-	-	-	1	1	1	-	-	-	-	3
Class IV	B	-	-	-	-	-	-	-	1	-	-	-	-	1
	G	-	-	-	-	-	-	-	-	-	-	-	1	1
Class V	B	-	-	-	-	-	-	-	-	-	-	-	-	-
	G	-	-	-	-	-	-	-	-	-	-	-	-	-
Class VI	B	-	-	-	-	-	-	-	-	-	-	-	-	-
	G	-	-	-	-	-	-	-	5	3	6	-	-	14

## NUMBER AND PERCENTAGE OF PROMOTED PUPILS, NEW PUPILS AND REPEATERS: 30th JUNE, 1965

Table 37.

Class		Total Pupils	Percentage	Promoted		New Pupils		Repeaters	
				No. of Pupils	Percentage	No. of Pupils	Percentage	No. of Pupils	Percentage
All Classes	B	1,474	100.0	1,060	73.8	340	21.2	74	5.0
	G	2,281	100.0	1,550	69.0	667	28.2	64	2.8
Class I	B	341	100.0	-	-	330	96.8	11	3.2
	G	645	100.0	-	-	614	95.2	31	4.8
Class II	B	285	100.0	266	93.3	5	1.8	14	4.9
	G	520	100.0	471	90.6	35	6.7	14	2.7
Class III	B	335	100.0	304	90.7	4	1.2	27	8.1
	G	465	100.0	453	97.5	3	0.6	9	1.9
Class IV	B	238	100.0	220	92.4	1	0.4	17	7.2
	G	332	100.0	325	97.9	1	0.3	6	1.8
Class V	B	208	100.0	205	98.6	-	-	3	1.4
	G	254	100.0	250	98.4	-	-	4	1.6
Class VI	B	67	100.0	65	97.0	-	-	2	3.0
	G	65	100.0	51	78.5	14	21.5	-	-

GOVT. GRAMMAR SCHOOLS

PUPILS THAT LEFT SCHOOL CLASSIFIED BY SEX, CAUSE AND MONTH OF LEAVING: 1964/65

Table 38.

Sex	1964						1965						Total
	July	August	Sept.	Oct.	Nov.	Dec.	Jan.	Feb.	March	April	May	June	
All Causes													
Total	658	-	54	31	19	17	18	23	18	15	17	3	873
Boys	224	-	7	11	6	8	5	15	10	4	6	1	298
Girls	434	-	47	20	13	9	13	8	8	11	11	2	575
Emigrated													
Total	3	-	-	2	5	1	6	9	3	10	3	2	44
Boys	-	-	-	-	2	-	2	6	1	4	1	1	17
Girls	3	-	-	2	3	1	4	3	2	6	2	1	27
Completed Course													
Total	647	-	-	-	-	-	-	-	-	-	-	-	647
Boys	224	-	-	-	-	-	-	-	-	-	-	-	224
Girls	423	-	-	-	-	-	-	-	-	-	-	-	423
Did not Complete Course													
Total	4	-	6	24	8	8	9	10	7	5	9	1	91
Boys	-	-	5	8	-	5	3	5	1	-	1	-	29
Girls	4	-	1	16	8	3	6	5	6	5	8	1	62
Deceased													
Total	-	-	-	-	-	-	-	-	-	-	1	-	1
Boys	-	-	-	-	-	-	-	-	-	-	1	-	1
Girls	-	-	-	-	-	-	-	-	-	-	-	-	-
Entered Private Schools													
Total	-	-	-	2	1	-	-	-	-	-	1	-	4
Boys	-	-	-	1	1	-	-	-	-	-	1	-	3
Girls	-	-	-	1	-	-	-	-	-	-	-	-	1
Other Causes													
Total	4	-	48	3	5	8	3	4	8	-	3	-	86
Boys	-	-	1	2	3	3	1	4	8	-	2	-	24
Girls	4	-	47	1	2	5	2	-	-	-	1	-	62

PUPILS THAT LEFT SCHOOL CLASSIFIED BY AGE, SEX AND CAUSE OF LEAVING: 1964/65

Table 39.

Sex	Age												Total
	9	10	11	12	13	14	15	16	17	18	19	20 & Over	
All Causes													
Total	-	-	-	8	13	59	47	187	357	165	34	3	873
Boys	-	-	-	3	4	7	13	84	142	40	5	-	298
Girls	-	-	-	5	9	52	34	103	215	125	29	3	575
Emigrated													
Total	-	-	-	2	4	8	8	11	7	4	-	-	44
Boys	-	-	-	1	2	4	2	3	4	1	-	-	17
Girls	-	-	-	1	2	4	6	8	3	3	-	-	27
Completed Course													
Total	-	-	-	-	-	4	19	141	305	144	31	3	647
Boys	-	-	-	-	-	-	5	68	114	34	3	-	224
Girls	-	-	-	-	-	4	14	73	191	110	28	3	423
Did not Complete Course													
Total	-	-	-	2	7	16	11	19	22	12	2	-	91
Boys	-	-	-	-	1	3	4	5	11	4	1	-	29
Girls	-	-	-	2	6	13	7	14	11	8	1	-	62
Deceased													
Total	-	-	-	1	-	-	-	-	-	-	-	-	1
Boys	-	-	-	1	-	-	-	-	-	-	-	-	1
Girls	-	-	-	-	-	-	-	-	-	-	-	-	-
Entered Private School													
Total	-	-	-	-	-	-	2	1	1	-	-	-	4
Boys	-	-	-	-	-	-	1	1	1	-	-	-	3
Girls	-	-	-	-	-	-	1	-	-	-	-	-	1
Other Causes													
Total	-	-	-	3	2	31	7	15	22	5	1	-	86
Boys	-	-	-	1	1	-	1	7	12	1	1	-	24
Girls	-	-	-	2	1	31	6	8	10	4	-	-	62

NUMBER OF CLASSES AND NUMBER OF PUPILS CLASSIFIED BY RANGE OF PUPILS IN SCHOOL AND CLASS: 30TH JUNE, 1965

Table 40.

Class	Number of Classes having the following number of pupils												Total Number of Classes	Total Number of Pupils	Average Number of Pupils per Class
	Under 20		20 - 24		25 - 29		30 - 34		35 - 39		40 and over				
	Number of Classes	Number of Pupils	Number of Classes	Number of Pupils	Number of Classes	Number of Pupils	Number of Classes	Number of Pupils	Number of Classes	Number of Pupils	Number of Classes	Number of Pupils			
ALL SCHOOLS															
Total	26	404	49	1,112	56	1,521	23	718	-	-	-	-	154	3,755	24.4
Class I	-	-	7	159	13	359	15	468	-	-	-	-	35	986	28.2
Class II	2	38	10	236	17	466	2	65	-	-	-	-	31	805	26.0
Class III	2	35	14	319	12	324	4	122	-	-	-	-	32	800	25.0
Class IV	7	122	8	178	9	240	1	30	-	-	-	-	25	570	22.8
Class V	10	159	9	199	4	104	-	-	-	-	-	-	23	462	20.1
Class VI	5	50	1	21	1	28	1	33	-	-	-	-	8	132	16.5
Schools with 100 - 199 Pupils															
Total	-	-	1	20	3	80	2	60	-	-	-	-	6	160	26.7
Class I	-	-	-	-	-	-	1	30	-	-	-	-	1	30	30.0
Class II	-	-	-	-	1	29	-	-	-	-	-	-	1	29	29.0
Class III	-	-	-	-	1	26	1	30	-	-	-	-	2	56	28.0
Class IV	-	-	-	-	1	25	-	-	-	-	-	-	1	25	25.0
Class V	-	-	1	20	-	-	-	-	-	-	-	-	1	20	20.0
Class VI	-	-	-	-	-	-	-	-	-	-	-	-	-	-	-

NUMBER OF CLASSES AND NUMBER OF PUPILS CLASSIFIED BY RANGE OF PUPILS IN SCHOOL AND CLASS: 30TH JUNE, 1965

Table 40. (Contd.)

Class	Number of Classes having the following number of pupils												Total Number of Classes	Total Number of Pupils	Average Number of Pupils per Class
	Under 20		20 - 24		25 - 29		30 - 34		35 - 39		40 and over				
	Number of Classes	Number of Pupils	Number of Classes	Number of Pupils	Number of Classes	Number of Pupils	Number of Classes	Number of Pupils	Number of Classes	Number of Pupils	Number of Classes	Number of Pupils			
SCHOOLS WITH 200 - 399 PUPILS															
Total	7	114	16	365	16	437	2	62	-	-	-	-	41	978	23.9
Class I	-	-	4	93	5	138	1	30	-	-	-	-	10	261	26.1
Class II	2	38	5	116	5	139	1	32	-	-	-	-	13	325	25.0
Class III	1	17	5	112	3	82	-	-	-	-	-	-	9	211	23.4
Class IV	1	18	1	21	3	78	-	-	-	-	-	-	5	117	23.4
Class V	3	41	1	23	-	-	-	-	-	-	-	-	4	64	16.0
Class VI	-	-	-	-	-	-	-	-	-	-	-	-	-	-	-
Schools with 1,000 - 1,999 Pupils															
Total	19	290	32	727	37	1,004	19	596	-	-	-	-	107	2,617	24.5
Class I	-	-	3	66	8	221	13	408	-	-	-	-	24	695	29.0
Class II	-	-	5	120	11	298	1	33	-	-	-	-	17	451	26.5
Class III	1	18	9	207	8	216	3	92	-	-	-	-	21	533	25.4
Class IV	6	104	7	157	5	137	1	30	-	-	-	-	19	428	22.5
Class V	7	118	7	156	4	104	-	-	-	-	-	-	18	378	21.0
Class VI	5	50	1	21	1	28	1	33	-	-	-	-	8	132	16.5

25



GOVT. GRAMMAR SCHOOLS

NUMBER OF TEACHERS CLASSIFIED BY STATUS AND SEX: 1964/65

Table 41.

School	Permanent		Temporary		Seconded from Primary Schools		Contract		Employed as Visitors		Total		
	M	F	M	F	M	F	M	F	M	F	M	F	T
Total All Schools	89	70	-	-	13	22	4	5	37	35	143	132	275
BOYS:													
Lyceum - Malta	73	-	-	-	8	-	3	-	16	-	100	-	100
Lyceum - Gozo	9	-	-	-	1	-	-	-	3	-	13	-	13
GIRLS:													
St. Louis Grammar School, Sliema	-	14	-	-	1	-	-	-	2	6	3	20	23
Grammar School, Blata l-Bajda	4	40	-	-	2	9	1	3	6	20	13	72	85
St. Theresa Grammar School, Mdina	1	12	-	-	-	4	-	1	2	7	3	24	27
St. Mary Grammar School (Gozo)	2	4	-	-	1	9	-	1	8	2	11	16	27

NUMBER OF SCHOOLS, PREMISES, ROOMS, CLASSROOMS, ETC.: 1964/65

Table 42.

School	Premises												
	Number of Schools	Number of Premises	Total Number of Rooms	Classrooms	Workshops	Needlework and Dom. Science Rooms	Laboratories	Offices	Staffrooms	Store rooms	Others	Govt. Owned	Privately Owned
MALTESE ISLANDS	6	13	250	157	-	10	15	15	16	10	27	10	3
MALTA	4	11	202	134	-	9	11	12	13	5	18	8	3
GOZO	2	2	48	23	-	1	4	3	3	5	9	2	-
MALTA:													
BOYS:													
Lyceum - Hamrun	1	2	80	58	-	-	3	8	3	1	7	2	-
GIRLS:													
St. Louis Grammar School, Sliema	1	1	19	11	-	-	1	1	1	1	4	-	1
St. Theresa Grammar School, Mdina	1	3	25	16	-	1	1	1	2	1	3	1	2
Grammar School, Blata l-Bajda	1	5	78	49	-	8	6	2	7	2	4	5	-
GOZO:													
BOYS:													
Lyceum - Victoria	1	1	20	8	-	-	3	2	1	2	4	1	-
GIRLS:													
St. Mary Grammar School, Victoria	1	1	28	15	-	1	1	1	2	3	5	1	-

SUMMARY TABLE OF PUPILS AND TEACHING STAFF CLASSIFIED BY SCHOOL: 30TH JUNE, 1965

Table 43.

School	Number of Schools	Number of Classes	Pupils	Teaching Staff		
				Total	Males	Females
Total All Schools	9	159	3,715	314	250	64
Paola - Secondary Technical - (Boys)	1	64	1,604	123	123	-
Hamrun - Secondary Technical - (Girls)	1	36	901	72	8	64
Mriehel - Technical	1	13	221	26	26	-
Paola - Nautical and W/T College	1	11	179	25	25	-
Paola - Tailoring	1	7	91	15	15	-
Marsa - Apprenticeship School	1	7	304	16	16	-
Hamrun - Technical Institute	1	10	258	26	26	-
Gozo - Secondary Technical (Boys)	1	8	124	8	8	-
Gozo - Technical	1	3	33	3	3	-

NUMBER AND PERCENTAGE OF PUPILS BY AGE AND SEX: 30TH JUNE, 1965

Table 44.

Age	Number of Pupils			Percentage		
	Total	Boys	Girls	Total	Boys	Girls
Total All Ages	3,715	2,814	901	100.0	100.0	100.0
10	1	1	-	-	-	-
11	40	31	9	1.1	1.1	1.0
12	193	141	52	5.2	5.0	5.8
13	419	300	119	11.3	10.7	13.2
14	663	475	188	17.8	16.9	20.9
15	847	641	206	22.8	22.8	22.9
16	654	507	147	17.6	18.0	16.3
17	496	380	116	13.4	13.5	12.9
18	261	205	56	7.0	7.3	6.2
19	107	99	8	2.9	3.5	0.8
20 and over	34	34	-	0.9	1.2	-

NUMBER AND PERCENTAGE OF PUPILS AT EACH AGE: 30TH JUNE, 1965

Table 45.

Age	Paola Sec. Tech.		M. Assumpta Sec. Tech. (Girls)		Technical Institute Hamrun		Paola Nautical		Mrieheil Technical		Paola Tailoring		Marsa App. School		Gozo Sec. Tech.		Gozo Technical	
	Pupils	Percentage	Pupils	Percentage	Pupils	Percentage	Pupils	Percentage	Pupils	Percentage	Pupils	Percentage	Pupils	Percentage	Pupils	Percentage	Pupils	Percentage
All Ages	1604	100.0	901	100.0	258	100.0	179	100.0	221	100.0	91	100.0	304	100.0	124	100.0	33	100.0
10	1	0.1	-	-	-	-	-	-	-	-	-	-	-	-	-	-	-	-
11	30	1.9	9	0.9	-	-	-	-	-	-	-	-	-	-	1	0.8	-	-
12	130	8.1	52	5.8	-	-	-	-	-	-	-	-	-	-	11	8.9	-	-
13	273	17.0	119	13.2	-	-	-	-	-	-	-	-	-	-	27	21.8	-	-
14	360	22.4	188	20.9	10	3.9	41	23.0	9	4.1	9	9.9	9	3.0	36	29.0	1	3.0
15	390	24.3	206	22.9	56	21.7	42	23.5	62	28.1	23	25.3	35	11.5	23	18.5	10	30.3
16	184	11.5	147	16.3	79	30.6	53	29.6	64	28.9	25	27.5	82	27.0	8	6.5	12	36.4
17	134	8.4	116	12.9	62	24.0	21	11.7	54	24.4	9	9.9	81	26.6	11	8.9	8	24.3
18	69	4.3	56	6.2	35	13.6	11	6.1	20	9.0	15	16.5	48	15.8	6	4.8	1	3.0
19	31	1.9	8	0.9	15	5.8	9	5.0	5	2.3	10	10.9	27	8.9	1	0.8	1	3.0
20 & Over	2	0.1	-	-	1	0.4	2	1.1	7	3.2	-	-	22	7.2	-	-	-	-

NUMBER AND PERCENTAGE OF PUPILS BY CLASS: 30TH JUNE, 1965

Table 46.

Class	Paola Sec. Tech.		M. Assumpta Sec. Tech. (Girls)		Technical Institute Hamrun		Paola Nautical		Mriehel Technical		Paola Tailoring		Marsa App. School		Gozo Sec. Tech.		Gozo Technical <sup>♠</sup>	
	Pupils	Percentage	Pupils	Percentage	Pupils	Percentage	Pupils	Percentage	Pupils	Percentage	Pupils	Percentage	Pupils	Percentage	Pupils	Percentage	Pupils	Percentage
All Classes	1,604	100.0	901	100.0	258	100.0	179	100.0	221	100.0	91	100.0	304	100.0	124	100.0	33	100.0
Class I	406	25.3	246	27.3	52	20.2	78	43.6	96	43.4	45	49.5	162	53.2	50	40.3	15	45.4
Class II	439	27.4	212	23.5	55	21.3	59	33.0	65	29.4	15	16.5	51	16.8	40	32.2	9	27.3
Class III	374	23.3	126	14.0	81	31.4	35	19.6	42	19.0	22	24.2	34	11.2	11	8.9	9	27.3
Class IV	180	11.2	171	19.0	49	19.0	2	1.1	12	5.5	9	9.8	38	12.5	12	9.7	-	-
Class V	134	8.4	146	16.2	14	5.4	5	2.7	6	2.7	-	-	19	6.3	11	8.9	-	-
Class VI	71 <sup>*</sup>	4.4	-	-	7	2.7	-	-	-	-	-	-	-	-	-	-	-	-

\* Includes sixth formers (2nd year, Science)

<sup>♠</sup> New in 1962/63

GOVT. TECHNICAL SCHOOLS

PUPILS CLASSIFIED BY TYPE OF SCHOOL, CLASS AND AGE: 30TH JUNE, 1965

Table 47.

School and Class	Age											Total
	10	11	12	13	14	15	16	17	18	19	20 & Over	
<b>ALL SCHOOLS:</b>												
Total	1	40	193	419	663	847	654	496	261	107	34	3,715
Boys	1	31	141	300	475	641	507	380	205	99	34	2,814
Girls	-	9	52	119	188	206	147	116	56	8	-	901
<b>PAOLA SECONDARY TECHNICAL:</b>												
Class I	1	30	116	135	116	8	-	-	-	-	-	406
Class II	-	-	14	83	151	185	6	-	-	-	-	439
Class III	-	-	-	52	76	147	94	5	-	-	-	374
Class IV	-	-	-	3	17	41	58	53	7	1	-	180
Class V	-	-	-	-	-	9	23	59	34	9	-	134
Class VI	-	-	-	-	-	-	3	17	28	21	2	71
<b>MARSA APPRENTICESHIP:</b>												
Class I	-	-	-	-	7	30	66	43	13	2	1	162
Class II	-	-	-	-	2	5	15	22	6	1	-	51
Class III	-	-	-	-	-	-	1	12	14	3	4	34
Class IV	-	-	-	-	-	-	-	4	12	13	9	38
Class V	-	-	-	-	-	-	-	-	3	8	8	19
<b>TECHNICAL INSTITUTE, PAOLA:</b>												
Class I	-	-	-	-	4	29	13	6	-	-	-	52
Class II	-	-	-	-	6	20	20	9	-	-	-	55
Class III	-	-	-	-	-	7	42	27	5	-	-	81
Class IV	-	-	-	-	-	-	4	19	21	5	-	49
Class V	-	-	-	-	-	-	-	1	9	10	1	21
<b>PAOLA NAVIGATION AND W/T COLLEGE:</b>												
Class I	-	-	-	-	40	27	9	2	-	-	-	78
Class II	-	-	-	-	1	14	33	11	-	-	-	59
Class III	-	-	-	-	-	1	11	8	8	7	-	35
Class IV	-	-	-	-	-	-	-	-	1	1	-	2
Class V	-	-	-	-	-	-	-	-	2	1	2	5
<b>PAOLA TAILORING:</b>												
Class I	-	-	-	-	9	23	12	1	-	-	-	45
Class II	-	-	-	-	-	-	10	3	1	1	-	15
Class III	-	-	-	-	-	-	3	5	9	5	-	22
Class IV	-	-	-	-	-	-	-	-	5	4	-	9

PUPILS CLASSIFIED BY TYPE OF SCHOOL, CLASS AND AGE: 30TH JUNE, 1965

Table 47. (Contd.)

School and Class	Age											Total
	10	11	12	13	14	15	16	17	18	19	20 & Over	
<b>MRIEHEL TECHNICAL:</b>												
Class I	-	-	-	-	9	49	28	10	-	-	-	96
Class II	-	-	-	-	-	13	28	20	4	-	-	65
Class III	-	-	-	-	-	-	8	23	11	-	-	42
Class IV	-	-	-	-	-	-	-	1	5	5	1	12
Class V	-	-	-	-	-	-	-	-	-	-	6	6
<b>M.ASSUMPTA SECONDARY TECH. (GIRLS):</b>												
Class I	-	9	48	85	92	11	1	-	-	-	-	246
Class II	-	-	4	28	63	102	15	-	-	-	-	212
Class III	-	-	-	5	25	54	40	2	-	-	-	126
Class IV	-	-	-	1	8	32	64	58	6	2	-	171
Class V	-	-	-	-	-	7	27	56	50	6	-	146
<b>GOZO SECONDARY TECHNICAL:</b>												
Class I	-	1	10	20	17	2	-	-	-	-	-	50
Class II	-	-	1	7	12	15	5	-	-	-	-	40
Class III	-	-	-	-	5	4	2	-	-	-	-	11
Class IV	-	-	-	-	2	1	-	7	2	-	-	12
Class V	-	-	-	-	-	1	1	4	4	1	-	11
<b>GOZO TECHNICAL:</b>												
Class I	-	-	-	-	1	9	5	-	-	-	-	15
Class II	-	-	-	-	-	1	7	8	1	1	-	18

MEAN AGE OF PUPILS BY SCHOOL AND CLASS: 1964/65

Table 48.

Classes	Paola Sec. Tech.	M.Assumpta Sec. Tech. (Girls)	Technical Institute Paola	Paola Nautical	Mriehei Technical	Marsa App. School	Paola Tailoring	Gozo Sec. Tech.	Gozo Technical
Class I	12.9	13.2	15.4	14.7	15.4	16.2	15.1	13.2	15.3
Class II	14.2	14.5	15.6	15.9	16.2	16.5	16.5	14.4	16.3
Class III	14.8	15.1	16.4	17.3	17.1	17.9	17.7	14.7	17.0
Class IV	15.9	16.1	17.6	18.5	18.5	18.7	18.4	16.5	-
Class V	17.1	17.1	18.3	19.0	20.0	19.3	-	17.3	-
Class VI	18.0	-	19.0	-	-	-	-	-	-

GOVT. TECHNICAL SCHOOLS

PROMOTED PUPILS CLASSIFIED BY SCHOOL, CLASS AND AGE: 1964/65

Table 49.

School and Class		Age										Total	
		10	11	12	13	14	15	16	17	18	19		20 & Over
All Schools	Total	-	-	19	175	349	610	461	385	219	83	22	2,323
	Boys	-	-	15	142	254	423	325	278	171	79	22	1,709
	Girls	-	-	4	33	95	187	136	107	48	4	-	614
<u>Technical Institute:</u>													
	Class I	-	-	-	-	-	-	-	-	-	-	-	-
	Class II	-	-	-	-	-	-	-	-	-	-	-	-
	Class III	-	-	-	-	-	7	40	23	4	-	-	74
	Class IV	-	-	-	-	-	-	4	19	19	5	-	47
	Class V	-	-	-	-	-	-	-	1	9	10	1	21
<u>Marsa Apprenticeship:</u>													
	Class I	-	-	-	-	-	-	-	-	-	-	-	-
	Class II	-	-	-	-	-	1	8	16	5	1	-	31
	Class III	-	-	-	-	-	-	1	12	11	1	3	28
	Class IV	-	-	-	-	-	-	-	2	7	6	3	18
	Class V	-	-	-	-	-	-	-	-	3	8	6	17
<u>Paola Secondary Technical:</u>													
	Class I	-	-	-	-	-	-	-	-	-	-	-	-
	Class II	-	-	14	83	145	176	2	-	-	-	-	420
	Class III	-	-	-	52	76	142	87	1	-	-	-	358
	Class IV	-	-	-	3	17	41	58	50	7	-	-	176
	Class V	-	-	-	-	-	9	23	59	34	9	-	134
	Class VI	-	-	-	-	-	-	3	14	27	21	2	67
<u>M. Assumpta Secondary Tech. (Girls):</u>													
	Class I	-	-	-	-	-	-	-	-	-	-	-	-
	Class II	-	-	4	27	63	95	11	-	-	-	-	200
	Class III	-	-	-	5	24	53	37	1	-	-	-	120
	Class IV	-	-	-	1	8	32	62	54	4	2	-	163
	Class V	-	-	-	-	-	7	26	52	44	2	-	131
<u>Paola Tailoring:</u>													
	Class I	-	-	-	-	-	-	-	-	-	-	-	-
	Class II	-	-	-	-	-	-	10	2	1	-	-	13
	Class III	-	-	-	-	-	-	3	2	6	1	-	12
	Class IV	-	-	-	-	-	-	-	-	4	3	-	7
<u>Mrieheh Technical:</u>													
	Class I	-	-	-	-	-	-	-	-	-	-	-	-
	Class II	-	-	-	-	-	13	28	20	4	-	-	65
	Class III	-	-	-	-	-	-	8	22	9	-	-	39
	Class IV	-	-	-	-	-	-	-	1	5	5	1	12
	Class V	-	-	-	-	-	-	-	-	-	-	4	4
<u>Paola Nautical:</u>													
	Class I	-	-	-	-	-	-	-	-	-	-	-	-
	Class II	-	-	-	-	-	13	27	8	-	-	-	48
	Class III	-	-	-	-	-	1	11	8	6	5	-	31
	Class IV	-	-	-	-	-	-	-	-	1	1	-	2
	Class V	-	-	-	-	-	-	-	-	2	1	2	5
<u>Gozo Secondary Technical:</u>													
	Class I	-	-	-	-	-	-	-	-	-	-	-	-
	Class II	-	-	1	4	9	13	2	-	-	-	-	29
	Class III	-	-	-	-	5	4	2	-	-	-	-	11
	Class IV	-	-	-	-	2	1	-	7	2	-	-	12
	Class V	-	-	-	-	-	1	1	4	4	1	-	11
<u>Gozo Technical:</u>													
	Class I	-	-	-	-	-	-	-	-	-	-	-	-
	Class II	-	-	-	-	-	1	7	7	1	1	-	17

REPEATERS CLASSIFIED BY SCHOOL, CLASS AND AGE: 1964/65

Table 50.

School and Class		Age											Total
		10	11	12	13	14	15	16	17	18	19	20 & Other	
ALL SCHOOLS	Total	-	1	7	9	38	52	55	50	31	24	11	278
	Boys	-	1	3	7	29	38	45	41	23	20	11	218
	Girls	-	-	4	2	9	14	10	9	8	4	-	60
<u>Technical Institute:</u>													
	Class I	-	-	-	-	-	1	2	1	-	-	-	4
	Class II	-	-	-	-	-	2	4	4	-	-	-	10
	Class III	-	-	-	-	-	-	2	4	1	-	-	7
	Class IV	-	-	-	-	-	-	-	-	2	-	-	2
<u>Marsa Apprenticeship:</u>													
	Class I	-	-	-	-	-	-	6	5	3	2	-	16
	Class II	-	-	-	-	-	-	2	4	1	-	-	7
	Class III	-	-	-	-	-	-	-	-	3	2	1	6
	Class IV	-	-	-	-	-	-	-	2	5	7	6	20
	Class V	-	-	-	-	-	-	-	-	-	-	2	2
<u>Paola Secondary Technical:</u>													
	Class I	-	1	2	2	9	5	-	-	-	-	-	19
	Class II	-	-	-	-	6	8	4	-	-	-	-	18
	Class III	-	-	-	-	-	5	7	4	-	-	-	16
	Class IV	-	-	-	-	-	-	-	3	-	1	-	4
	Class V	-	-	-	-	-	-	-	-	-	-	-	-
	Class VI	-	-	-	-	-	-	-	-	-	-	-	-
<u>M. Assumpta Secondary Tech. (Girls):</u>													
	Class I	-	-	4	1	9	6	-	-	-	-	-	20
	Class II	-	-	-	1	-	7	4	-	-	-	-	12
	Class III	-	-	-	-	-	1	3	1	-	-	-	5
	Class IV	-	-	-	-	-	-	2	4	2	-	-	8
	Class V	-	-	-	-	-	-	1	4	6	4	-	15
<u>Paola Tailoring:</u>													
	Class I	-	-	-	-	-	-	-	1	-	-	-	1
	Class II	-	-	-	-	-	-	-	1	-	1	-	2
	Class III	-	-	-	-	-	-	-	3	3	4	-	10
	Class IV	-	-	-	-	-	-	-	-	1	1	-	2
<u>Mriehel Technicals:</u>													
	Class I	-	-	-	-	-	1	4	2	-	-	-	7
	Class II	-	-	-	-	-	-	-	-	-	-	-	-
	Class III	-	-	-	-	-	-	-	1	2	-	-	3
	Class IV	-	-	-	-	-	-	-	-	-	-	-	-
	Class V	-	-	-	-	-	-	-	-	-	-	2	2
<u>Paola Nautical:</u>													
	Class I	-	-	-	-	5	8	3	2	-	-	-	18
	Class II	-	-	-	-	-	1	6	3	-	-	-	10
	Class III	-	-	-	-	-	-	-	-	2	2	-	4
<u>Gozo Secondary Technical:</u>													
	Class I	-	-	1	2	6	2	-	-	-	-	-	11
	Class II	-	-	-	3	3	2	3	-	-	-	-	11
	Class III	-	-	-	-	-	-	-	-	-	-	-	-
	Class IV	-	-	-	-	-	-	-	-	-	-	-	-
	Class V	-	-	-	-	-	-	-	-	-	-	-	-
<u>Gozo Technical:</u>													
	Class I	-	-	-	-	-	3	2	-	-	-	-	5
	Class II	-	-	-	-	-	-	-	1	-	-	-	1



GOVT. TECHNICAL SCHOOLS

NEW PUPILS ADMITTED TO TECHNICAL SCHOOLS CLASSIFIED BY SCHOOL, AGE AND CLASS: 1964/65

Table 5i.

School	Age											Total
	10	11	12	13	14	15	16	17	18	19	20 & Over	
<b>ALL SCHOOLS</b>												
Total	1	39	167	235	276	185	138	61	11	-	1	1,114
Boys	1	30	123	151	192	180	137	61	11	-	1	887
Girls	-	9	44	84	84	5	1	-	-	-	-	227
<b>TECHNICAL INSTITUTE:</b>												
Class I	-	-	-	-	4	28	11	5	-	-	-	48
Class II	-	-	-	-	6	18	16	5	-	-	-	45
<b>M. ASSUMPTA SECONDARY TECH. (GIRLS):</b>												
Class I	-	9	44	84	83	5	1	-	-	-	-	226
Class II	-	-	-	-	-	-	-	-	-	-	-	-
Class III	-	-	-	-	1	-	-	-	-	-	-	1
<b>MARSA APPRENTICESHIP SCHOOL:</b>												
Class I	-	-	-	-	7	30	60	38	10	-	1	146
Class II	-	-	-	-	2	4	5	2	-	-	-	13
Class III	-	-	-	-	-	-	-	-	-	-	-	-
Class IV	-	-	-	-	-	-	-	-	-	-	-	-
<b>MRIEHEL TECHNICAL:</b>												
Class I	-	-	-	-	9	48	24	8	-	-	-	89
<b>PAOLA NAUTICAL:</b>												
Class I	-	-	-	-	35	19	6	-	-	-	-	60
Class II	-	-	-	-	1	-	-	-	-	-	-	1
<b>PAOLA SECONDARY TECHNICAL:</b>												
Class I	1	29	114	133	107	3	-	-	-	-	-	387
Class II	-	-	-	-	-	1	-	-	-	-	-	1
Class III	-	-	-	-	-	-	-	-	-	-	-	-
Class VI	-	-	-	-	-	-	-	3	1	-	-	4
<b>PAOLA TAILORING:</b>												
Class I	-	-	-	-	9	23	12	-	-	-	-	44
Class II	-	-	-	-	-	-	-	-	-	-	-	-
<b>GOZO SECONDARY TECHNICAL:</b>												
Class I	-	1	9	18	11	-	-	-	-	-	-	39
<b>GOZO TECHNICAL:</b>												
Class I	-	-	-	-	1	6	3	-	-	-	-	10

GOVT. TECHNICAL SCHOOLS

PERCENTAGE OF NEW PUPILS, PROMOTED PUPILS, AND REPEATERS CLASSIFIED BY SCHOOL AND CLASS: 1964/65

Table 52.

Class	Total Pupils	Per Cent	New Pupils		Promoted Pupils		Repeaters	
			Number	%	Number	%	Number	%
TOTAL ALL CLASSES	3,715	100.0	1,114	30.0	2,323	62.5	278	7.5
PAOLA SEC. TECHNICAL:								
All Classes	1,604	100.0	392	22.7	1,155	73.8	57	3.5
Class I	406	100.0	387	95.3	-	-	19	4.7
Class II	439	100.0	1	0.2	420	95.7	18	4.1
Class III	374	100.0	-	-	358	95.7	16	4.3
Class IV	180	100.0	-	-	176	97.8	4	2.2
Class V	134	100.0	-	-	134	100.0	-	-
Class VI	71	100.0	4	5.6	67	94.4	-	-
MARSA APP. SCHOOL:								
All Classes	304	100.0	159	41.1	94	42.1	51	16.8
Class I	162	100.0	146	90.1	-	-	16	9.9
Class II	51	100.0	13	25.5	31	60.8	7	13.7
Class III	34	100.0	-	-	28	82.4	6	17.6
Class IV	38	100.0	-	-	18	47.4	20	52.6
Class V	19	100.0	-	-	17	89.5	2	10.5
TECHNICAL INSTITUTE:								
All Classes	258	100.0	93	36.0	142	55.0	23	9.0
Class I	52	100.0	48	92.3	-	-	4	7.7
Class II	55	100.0	45	81.8	-	-	10	18.2
Class III	81	100.0	-	-	74	91.4	7	8.6
Class IV	49	100.0	-	-	47	95.9	2	4.1
Class V	21	100.0	-	-	21	100.0	-	-
PAOLA NAUTICAL:								
All Classes	179	100.0	61	22.9	86	59.2	32	17.9
Class I	78	100.0	60	76.9	-	-	18	23.1
Class II	59	100.0	1	1.7	48	81.4	10	16.9
Class III	35	100.0	-	-	31	88.6	4	11.4
Class IV	2	100.0	-	-	2	100.0	-	-
Class V	5	100.0	-	-	5	100.0	-	-

GOVT. TECHNICAL SCHOOLS

PERCENTAGE OF NEW PUPILS, PROMOTED PUPILS, AND REPEATERS CLASSIFIED BY SCHOOL AND CLASS: 1964/65

Table 52. (Contd.)

Class	Total Pupils	Per Cent	New Pupils		Promoted Pupils		Repeaters	
			Number	%	Number	%	Number	%
<b>PAOLA TAILORING:</b>								
All Classes	91	100.0	44	48.4	32	35.2	15	16.4
Class I	45	100.0	44	97.8	-	-	1	2.2
Class II	15	100.0	-	-	13	86.7	2	13.3
Class III	22	100.0	-	-	12	54.5	10	45.5
Class IV	9	100.0	-	-	7	77.8	2	22.2
<b>MRIEHEL TECHNICAL:</b>								
All Classes	221	100.0	89	40.3	120	54.3	12	5.4
Class I	96	100.0	89	92.7	-	-	7	7.3
Class II	65	100.0	-	-	65	100.0	-	-
Class III	42	100.0	-	-	39	92.9	3	7.1
Class IV	12	100.0	-	-	12	100.0	-	-
Class V	6	100.0	-	-	4	66.7	2	33.3
<b>M. ASSUMPTA SEC. TECH. (GIRLS):</b>								
All Classes	901	100.0	227	22.8	614	70.6	60	6.6
Class I	246	100.0	226	91.9	-	-	20	8.1
Class II	212	100.0	-	-	200	94.3	12	5.7
Class III	126	100.0	1	0.8	120	95.2	5	4.0
Class IV	171	100.0	-	-	163	95.3	8	4.7
Class V	146	100.0	-	-	131	89.7	15	10.3
<b>GOZO SEC. TECH.</b>								
All Classes	124	100.0	39	16.1	63	66.1	22	17.8
Class I	50	100.0	39	78.0	-	-	11	22.0
Class II	40	100.0	-	-	29	72.5	11	27.5
Class III	11	100.0	-	-	11	100.0	-	-
Class IV	12	100.0	-	-	12	100.0	-	-
Class V	11	100.0	-	-	11	100.0	-	-
<b>GOZO TECHNICAL:</b>								
All Classes	33	100.0	10	30.3	17	51.5	6	18.2
Class I	15	100.0	10	66.7	-	-	5	33.3
Class II	18	100.0	-	-	17	94.4	1	5.6

PUPILS THAT LEFT SCHOOL CLASSIFIED BY CAUSE AND MONTH OF LEAVING: 1964/65

Table 53.

1964						1965						Total
July	August	Sept.	October	November	December	January	February	March	April	May	June	
All Causes												
164	28	52	160	84	22	43	40	34	30	32	19	708*
Emigrated												
27	7	6	10	8	8	5	12	11	5	7	6	112
Completed Course												
47	-	-	-	-	-	-	-	-	-	-	-	47
Did not Complete Course												
39	6	39	31	12	11	17	14	10	11	15	9	214
Entered Private Schools												
3	-	-	1	-	-	2	-	-	1	1	-	8
Other Causes												
48	15	7	118	64	3	19	14	13	13	9	4	327

\* 82 of whom were girls

PUPILS THAT LEFT SCHOOL CLASSIFIED BY AGE AND CAUSE OF LEAVING: 1964/65

Table 54.

Cause of Leaving	Age										Total
	11	12	13	14	15	16	17	18	19	20 & Over	
Total All Causes	1	8	21	56	123	96	137	107	95	64	708 #
Emigrated	-	3	11	15	27	12	14	15	12	3	112
Completed Course	-	-	-	-	-	3	20	10	3	11	47
Did not complete course	-	4	9	33	72	42	29	19	3	3	214
Entered private schools	-	1	1	1	4	-	1	-	-	-	8
Other causes	1	-	-	7	20	39	73	63	77	47	327

# 82 of whom were girls

GOVT. TECHNICAL SCHOOLS

NUMBER OF CLASSES AND NUMBER OF PUPILS CLASSIFIED BY RANGE OF PUPILS IN SCHOOL AND CLASS: 30TH JUNE, 1965

Table 55.

Class	Number of Classes having the following number of pupils												Total Number of Classes	Total Number of Pupils	Average Number of Pupils per Class
	Under 20		20 - 24		25 - 29		30 - 34		35 - 39		40 & Over				
	No. of Classes	No. of Pupils	No. of Classes	No. of Pupils	No. of Classes	No. of Pupils	No. of Classes	No. of Pupils	No. of Classes	No. of Pupils	No. of Classes	No. of Pupils			
All Schools															
Class I	5	65	11	243	26	713	4	129	-	-	-	-	46	1,150	25.0
Class II	8	112	8	174	22	598	2	61	-	-	-	-	40	945	23.6
Class III	17	218	7	154	10	268	3	94	-	-	-	-	37	734	19.8
Class IV	16	174	7	157	4	110	1	32	-	-	-	-	28	473	16.9
Class V	16	169	7	145	1	28	-	-	-	-	-	-	24	342	14.6
Class VI	-	-	-	-	1	27	-	-	-	-	1	44	2	71	26.0
Schools with under 199 Pupils															
Class I	2	32	2	47	4	109	-	-	-	-	-	-	8	188	23.5
Class II	4	58	3	65	-	-	-	-	-	-	-	-	7	123	17.6
Class III	5	54	1	23	-	-	-	-	-	-	-	-	6	77	12.8
Class IV	4	23	-	-	-	-	-	-	-	-	-	-	4	23	5.8
Class V	2	16	-	-	-	-	-	-	-	-	-	-	2	16	8.0
Schools with 200 - 399 Pupils															
Class I	3	33	8	173	4	104	-	-	-	-	-	-	15	310	20.7
Class II	4	54	3	62	2	55	-	-	-	-	-	-	9	171	19.0
Class III	9	112	1	20	1	25	-	-	-	-	-	-	11	157	14.3
Class IV	9	99	-	-	-	-	-	-	-	-	-	-	9	99	11.0
Class V	7	46	-	-	-	-	-	-	-	-	-	-	7	46	6.6
Schools with 800 - 999 Pupils															
Class I	-	-	1	23	8	223	-	-	-	-	-	-	9	246	27.3
Class II	-	-	1	24	7	188	-	-	-	-	-	-	8	212	26.5
Class III	-	-	2	45	3	81	-	-	-	-	-	-	5	126	25.2
Class IV	1	19	3	64	2	56	1	32	-	-	-	-	7	171	24.4
Class V	2	34	4	84	1	28	-	-	-	-	-	-	7	146	20.9
Schools with 1,000 to 1,999 Pupils															
Class I	-	-	-	-	10	277	4	129	-	-	-	-	14	406	29.0
Class II	-	-	1	23	13	355	2	61	-	-	-	-	16	439	27.4
Class III	3	52	3	66	6	162	3	94	-	-	-	-	15	374	24.9
Class IV	2	33	4	93	2	54	-	-	-	-	-	-	8	180	22.5
Class V	5	73	3	61	-	-	-	-	-	-	-	-	8	134	16.8
Class VI	-	-	-	-	1	27	-	-	-	-	1	44	2	71	35.5

TEACHING STAFF CLASSIFIED BY SCHOOL, STATUS AND SEX: 1964/65

Table 56.

Name of School	Permanent		Temporary		Seconded from Primary Schools		Contract		Visiting		Instructors	Technicians	Total		
	M	F	M	F	M	F	M	F	M	F	M	M	M	F	T
TOTAL ALL SCHOOLS	97	21	14	-	25	27	4	3	92	13	-	18	230	64	314
Paola Sec. Technical	44	-	12	-	9	-	2	-	45	-	-	11	123	-	123
Marsa Apprenticeship	7	-	-	-	2	-	1	-	6	-	-	-	16	-	16
Technical Institute	14	-	2	-	2	-	1	-	7	-	-	-	26	-	26
Paola Tailoring	5	-	-	-	1	-	-	-	8	-	-	1	15	-	15
Paola Nautical	6	-	-	-	3	-	-	-	14	-	-	2	25	-	25
Mriehel Technical	14	-	-	-	2	-	-	-	6	-	-	4	26	-	26
Hamrun Sec. Tech. (Girls)	1	21	-	-	1	27	-	3	6	13	-	-	8	64	72
Gozo Sec. Tech.	5	-	-	-	3	-	-	-	-	-	-	-	8	-	8
Gozo Technical	1	-	-	-	2	-	-	-	-	-	-	-	3	-	3

NUMBER OF SCHOOLS, PREMISES, ROOMS, CLASSROOMS, ETC: 1964/65

Table 57.

School	No. of Schools	No. of Premises	Total Number of Rooms	Classrooms	Workshops	Needlework and Domestic Science Rooms	Laboratories	Offices	Staffrooms	Storerooms	Other Rooms	Government Owned	Privately Owned
TOTAL ALL SCHOOLS	9	10	344	159	32	11	19	55	17	29	62	10	-
Paola Secondary Technical	1	2	100	64	10	-	9	6	3	1	7	2	-
M. Assumpta Sec. Tech. (Girls)	1	1	122	36	-	11	4	3	6	20	42	1	-
Paola Nautical	1	1	22	11	4	-	-	1	1	1	4	1	-
Technical Institute	1	1	24	10	7	-	1	1	2	1	2	1	-
Mriehel Technical	1	1	29	13	6	-	1	1	2	3	3	1	-
Marsa Apprenticeship	1	1	11	7	-	-	1	1	1	1	-	1	-
Paola Tailoring	1	1	12	7	3	-	-	1	1	-	-	1	-
Gozo Secondary Technical	1	1	20	8	1	-	3	1	1	2	4	1	-
Gozo Technical	1	1	4	3	1	-	-	-	-	-	-	1	-

# ADMISSION EXAMINATIONS

CANDIDATES FOR ADMISSION TO GOVERNMENT LYCEUM, GRAMMAR AND SECONDARY TECHNICAL SCHOOLS  
CLASSIFIED BY AGE, SEX AND WHETHER PASSED OR FAILED: 1965

Table 58.

Age	Boys			Girls		
	Total	Passed	Failed	Total	Passed	Failed
MALTESE ISLANDS - ALL AGES	3,243	784	2,459	3,190	779	2,411
MALTA:						
ALL AGES	3,029	705	2,324	2,982	683	2,299
8 Years	-	-	-	-	-	-
9 Years	-	-	-	-	-	-
10 Years	-	-	-	-	-	-
11 Years	695	174	521	627	79	548
12 Years	1,124	245	879	1,077	160	917
13 Years	1,210	286	924	1,278	444	834
GOZO:						
ALL AGES	214	79	135	208	96	112
8 Years	-	-	-	-	-	-
9 Years	-	-	-	-	-	-
10 Years	-	-	-	-	-	-
11 Years	40	12	28	41	14	27
12 Years	86	30	56	81	41	40
13 Years	88	37	51	86	41	45

CANDIDATES FOR ADMISSION TO GOVERNMENT LYCEUM, GRAMMAR AND SECONDARY TECHNICAL SCHOOLS CLASSIFIED BY SEX,  
WHETHER PASSED OR FAILED AND WHETHER PRESENTED OR NOT, BY SCHOOL ATTENDED: 1965

Table 59.

School Attended		Boys						Girls					
Type	Class	Presented by School			Not Presented by School			Presented by School			Not Presented by School		
		Total	Passed	Failed	Total	Passed	Failed	Total	Passed	Failed	Total	Passed	Failed
MALTESE ISLANDS:													
ALL CLASSES	-	1,423	676	747	1,820	108	1,712	1,297	666	631	1,893	113	1,780
MALTA:													
ALL CLASSES	-	1,322	607	715	1,707	98	1,609	1,160	578	582	1,822	105	1,717
Government Primary	III	-	-	-	8	-	8	-	-	-	2	-	2
	IV	401	153	248	884	36	848	312	70	242	986	19	967
	V	633	334	299	660	44	616	582	329	253	722	54	668
	VI	199	89	110	123	10	113	202	161	41	110	32	78
	VII	-	-	-	-	-	-	-	-	-	-	-	-
Private	IV	26	6	20	10	3	7	17	1	16	2	-	2
	V	48	25	23	13	3	10	31	11	20	-	-	-
	VI	15	-	15	9	2	7	16	6	10	-	-	-
GOZO:													
ALL CLASSES	-	101	69	32	113	10	103	137	88	49	71	8	63
Government Primary	IV	15	8	7	43	4	39	15	10	5	26	2	24
	V	62	40	22	57	5	52	82	53	29	38	5	33
	VI	24	21	3	13	1	12	33	23	10	7	1	6
Private	IV	-	-	-	-	-	-	-	-	-	-	-	-
	V	-	-	-	-	-	-	2	-	2	-	-	-
	VI	-	-	-	-	-	-	5	2	3	-	-	-



CANDIDATES FOR ADMISSION TO LYCEUM, GRAMMAR AND SEC. TECHNICAL SCHOOLS CLASSIFIED BY SEX AND MARKS OBTAINED IN ENGLISH AND ARITHMETIC: 1965

Table 60.

Range of Marks	English						Arithmetic					
	Boys			Girls			Boys			Girls		
	No. of Candidates	Marks Obtained	Average Marks	No. of Candidates	Marks Obtained	Average Marks	No. of Candidates	Marks Obtained	Average Marks	No. of Candidates	Marks Obtained	Average Marks
<b>MALTA:</b>												
Total	3,029	82,603	27.3	2,982	113,376	38.0	3,028	78,909	26.1	2,982	80,796	27.1
0 - 9	837	3,318	4.0	231	1,284	5.6	1,069	3,598	3.4	1,091	3,739	3.4
10 - 19	543	7,769	14.3	441	6,533	14.8	511	7,328	14.3	479	6,851	14.3
20 - 29	476	11,547	24.3	442	10,792	24.4	334	8,154	24.4	313	7,570	24.2
30 - 39	273	9,244	33.9	523	18,076	34.6	244	8,360	34.3	222	7,622	34.3
40 - 49	142	6,155	43.3	397	17,352	43.7	107	4,685	43.8	140	5,985	42.8
50 - 59	494	25,498	51.6	414	21,814	52.7	430	22,702	52.8	243	12,583	51.8
60 - 69	114	7,347	64.4	288	18,633	64.7	154	9,826	63.8	204	13,233	64.9
70 - 79	91	6,677	73.4	179	13,305	74.3	101	7,471	74.0	148	10,942	73.9
80 - 89	49	4,133	84.3	61	5,043	82.7	56	4,735	84.6	100	8,401	84.0
90 - 99	10	915	91.5	6	544	90.7	22	2,050	93.2	42	3,870	92.1
<b>GOZO:</b>												
Total	214	6,022	28.1	208	8,437	40.6	214	6,062	28.3	208	6,557	31.5
0 - 9	56	252	4.5	14	65	4.6	64	219	3.4	63	224	3.6
10 - 19	46	649	14.1	22	326	14.8	39	572	14.7	39	574	14.7
20 - 29	23	526	22.9	26	600	23.1	18	423	23.5	10	217	21.7
30 - 39	8	268	33.5	32	1,112	34.8	13	437	33.6	-	-	-
40 - 49	1	44	44.0	12	524	43.7	-	-	-	-	-	-
50 - 59	70	3,553	50.8	71	3,588	50.5	64	3,271	51.1	65	3,269	50.3
60 - 69	5	320	64.0	9	572	63.6	9	580	64.4	10	622	62.2
70 - 79	1	74	74.0	17	1,231	72.4	4	295	73.8	12	881	73.4
80 - 89	4	336	84.0	4	329	82.3	2	170	85.0	7	583	83.3
90 - 99	-	-	-	1	90	90.0	1	95	95.0	2	187	93.5

Note: Candidates who were absent are included in range "0 - 9"

ADMISSION EXAMINATIONS

CANDIDATES FOR ADMISSION TO GOVERNMENT TECHNICAL SCHOOLS BY SCHOOL ATTENDED: 1965

Table 61.

School Attended		Total	Passed	Failed
Type	Class			
Total All Schools		848	291	557
		Technical Institute		
Government Primary	IV	17	3	14
	V	60	8	52
	VI	417	147	270
	VII	74	34	40
Private	V	58	30	28
	VI	127	23	104
	VII	31	12	19
Individuals	Secondary	6	4	2
	-	20	11	9
TOTAL		810	272	538

CANDIDATES FOR ADMISSION TO GOVERNMENT TECHNICAL SCHOOLS CLASSIFIED BY AGE AND WHETHER PASSED OR FAILED: 1965

Table 62.

Age	Technical Institute			Gozo Technical		
	Total	Passed	Failed	Total	Passed	Failed
ALL AGES	810	272	538	38	19	19
10 years	-	-	-	-	-	-
11 years	-	-	-	-	-	-
12 years	-	-	-	-	-	-
13 years	-	-	-	-	-	-
14 years	348	109	239	26	14	12
15 years	333	113	220	12	5	7
16 years	120	46	74	-	-	-
17 years	9	4	5	-	-	-

# ADMISSION EXAMINATIONS

CANDIDATES FOR ADMISSION TO GOVERNMENT TECHNICAL SCHOOLS CLASSIFIED BY MARKS OBTAINED IN ENGLISH AND ARITHMETIC  
1965

Table 63.

Range of Marks	English			Arithmetic		
	Number of Candidates	No. of marks obtained	Average marks	Number of Candidates	No. of marks obtained	Average marks
<b>Technical Institute</b>						
<b>Total</b>	810	38,882	48.0	810	26,558	32.8
0 - 9	27	17	0.6	124	567	4.6
10 - 19	20	324	16.2	156	2,267	14.5
20 - 29	72	1,813	25.2	154	3,760	24.4
30 - 39	124	4,302	34.7	90	2,992	33.2
40 - 49	137	6,066	44.3	9	400	44.4
50 - 59	204	11,031	54.1	160	8,384	52.4
60 - 69	150	9,618	64.1	62	3,966	64.0
70 - 79	62	4,554	73.5	40	2,945	73.6
80 - 89	13	1,065	81.9	12	997	83.1
90 - 99	1	92	92.0	3	280	-
<b>Gozo Technical</b>						
<b>Total</b>	38	1,787	47.0	38	1,191	31.3
0 - 9	1	-	-	11	63	5.7
10 - 19	1	14	14.0	6	96	16.0
20 - 29	1	24	24.0	2	46	23.0
30 - 39	3	95	31.7	-	-	-
40 - 49	5	218	43.6	-	-	-
50 - 59	23	1,179	51.3	18	921	51.1
60 - 69	4	257	64.3	1	65	65.0
70 - 79	-	-	-	-	-	-
80 - 89	-	-	-	-	-	-
90 - 99	-	-	-	-	-	-

SUMMARY TABLE OF PUPILS AND TEACHERS CLASSIFIED BY TYPE OF SCHOOL AND SEX: 30th JUNE, 1965

Table 64.

Type of School	Number of Schools	Number of Classes	Pupils			Teachers		
			Total	Boys	Girls	Total	Males	Females
MALTESE ISLANDS	82	600	17,370	8,994	8,376	852	279	573
MALTA	77	579	16,875	8,711	8,164	812	253	559
GOZO	5	21	495	283	212	40	26	14
<b>MALTA:</b>								
Nursery	4	4	97	48	49	6	-	6
Infants	5	8	228	116	112	6	1	5
Primary	3	6	106	106	-	14	14	-
Secondary	5	38	878	878	-	85	85	-
Nursery/Infants	33	116	3,635	1,856	1,779	129	-	129
Nursery/Infants/Primary	5	45	1,393	769	624	49	1	48
Infants/Primary	2	14	350	264	86	22	-	22
Infants/Primary/Secondary	9	176	5,182	2,136	3,046	250	51	199
Primary/Secondary	4	46	1,236	1,236	-	99	97	2
Nursery/Infants/Primary/Secondary	7	126	3,770	1,302	2,468	152	4	148
<b>GOZO:</b>								
Nursery/Infants	3	10	296	143	153	11	3	8
Primary/Secondary	1	6	119	119	-	23	23	-
Nursery/Infants/Primary/Secondary	1	5	80	21	59	6	-	6

**PRIVATE SCHOOLS**

NUMBER OF BOARDERS, DAY BOARDERS AND DAY PUPILS CLASSIFIED BY CLASS: 1964/65

Table 65.

Type of School and Class	Boarders	Day-Boarders	Day Pupils	Total Number of Pupils *	Net Total Number of Pupils #
<b>TOTAL ALL CLASSES</b>	708	3,539	13,719	17,965	17,370
<b>NURSERY</b>	7	458	2,363	2,828	2,776
<b>INFANTS:</b>					
Stage I	47	865	3,724	4,637	4,409
Stage II	29	427	778	1,234	1,194
<b>PRIMARY:</b>					
Std. I	48	354	730	1,132	1,113
Std. II	64	313	661	1,038	1,016
Std. III	60	250	585	895	862
Std. IV	36	154	582	772	754
Std. V	37	114	376	527	511
Std. VI	19	-	-	19	15
Std. VII	-	-	29	29	20
<b>SECONDARY:</b>					
Class I	63	191	1,070	1,322	1,290
Class II	66	185	933	1,184	1,157
Class III	87	86	749	922	885
Class IV	71	86	725	882	847
Class V	59	56	371	486	465
Class VI	15	-	43	58	56

\* Total number of Pupils between the first and last day of 1963/64 school year

# Total number of Pupils as on 30th June, 1964, i.e. excluding school leavers

## NUMBER AND PERCENTAGE OF PUPILS AT EACH AGE, CLASSIFIED BY SEX: 30TH JUNE, 1965

Table 66.

Age	Number of Pupils			Percentage		
	Total	Boys	Girls	Total	Boys	Girls
<b>TOTAL ALL AGES</b>	<b>17,370</b>	<b>8,994</b>	<b>8,376</b>	<b>100.0</b>	<b>100.0</b>	<b>100.0</b>
2	25	16	9	0.1	0.2	0.1
3	1,002	503	499	5.8	5.6	5.9
4	2,004	1,097	907	11.5	12.2	10.8
5	3,353	1,679	1,674	19.3	18.7	19.9
6	1,665	839	826	9.6	9.3	9.9
7	1,050	509	541	6.0	5.7	6.5
8	878	413	465	5.1	4.6	5.6
9	815	418	397	4.7	4.6	4.7
10	746	332	414	4.3	3.7	4.9
11	729	361	368	4.2	4.0	4.4
12	728	326	402	4.2	3.6	4.8
13	820	441	379	4.7	4.9	4.5
14	1,009	568	441	5.8	6.3	5.3
15	950	535	415	5.5	5.9	5.0
16	826	454	372	4.8	5.0	4.4
17	476	283	193	2.7	3.2	2.3
18	206	143	63	1.2	1.6	0.8
19	63	54	9	0.4	0.6	0.1
20 & over	25	23	2	0.1	0.3	0.1

## NUMBER AND PERCENTAGE OF PUPILS CLASSIFIED BY CLASS AND SEX: 30TH JUNE, 1965

Table 67.

Class	Pupils			Percentage		
	Total	Boys	Girls	Total	Boys	Girls
<b>TOTAL ALL CLASSES</b>	<b>17,370</b>	<b>8,994</b>	<b>8,376</b>	<b>100.0</b>	<b>100.0</b>	<b>100.0</b>
<b>NURSERY</b>	<b>2,776</b>	<b>1,469</b>	<b>1,307</b>	<b>16.0</b>	<b>16.3</b>	<b>15.6</b>
<b>Total</b>	<b>5,603</b>	<b>2,829</b>	<b>2,774</b>	<b>32.3</b>	<b>31.5</b>	<b>33.2</b>
<b>INFANTS:</b>						
Stage I	4,409	2,230	2,179	25.4	24.8	26.1
Stage II	1,194	599	595	6.9	6.7	7.1
<b>Total</b>	<b>4,291</b>	<b>2,001</b>	<b>2,290</b>	<b>24.6</b>	<b>22.3</b>	<b>27.3</b>
<b>PRIMARY:</b>						
Class I	1,113	568	545	6.4	6.3	6.5
Class II	1,016	547	469	5.8	6.1	5.6
Class III	862	358	504	5.0	4.0	6.0
Class IV	754	342	412	4.3	3.8	4.9
Class V	511	151	360	2.9	1.7	4.3
Class VI	15	15	-	0.1	0.2	-
Class VII	20	20	-	0.1	0.2	-
<b>Total</b>	<b>4,700</b>	<b>2,695</b>	<b>2,005</b>	<b>27.1</b>	<b>29.9</b>	<b>23.9</b>
<b>SECONDARY:</b>						
Class I	1,290	728	562	7.4	8.1	6.7
Class II	1,157	632	525	6.7	7.0	6.3
Class III	885	455	430	5.1	5.1	5.1
Class IV	847	471	376	4.9	5.2	4.5
Class V	465	362	103	2.7	4.0	1.2
Class VI	56	47	9	0.3	0.5	0.1

PRIVATE SCHOOLS

PUPILS CLASSIFIED BY CLASS, AGE AND SEX: 30th JUNE, 1965

Table 68.

Type of Class and Sex	Age																			Total	
	2	3	4	5	6	7	8	9	10	11	12	13	14	15	16	17	18	19	20 & Over		
<b>TOTAL ALL CLASSES</b>	T	25	1002	2004	3353	1665	1050	878	815	746	729	728	820	1009	950	826	476	206	63	25	17,370
	B	16	503	1097	1679	839	509	413	418	332	361	326	441	568	535	454	283	143	54	23	8,994
	G	9	499	907	1674	826	541	465	397	414	368	402	379	441	415	372	193	63	9	2	8,376
<b>NURSERY</b>																					
	T	20	946	1430	351	29	-	-	-	-	-	-	-	-	-	-	-	-	-	-	2,776
	B	13	478	762	204	12	-	-	-	-	-	-	-	-	-	-	-	-	-	-	1,469
	G	7	468	668	147	17	-	-	-	-	-	-	-	-	-	-	-	-	-	-	1,307
<b>INFANTS</b>																					
<b>Stage I</b>	T	5	56	551	2870	852	67	5	3	-	-	-	-	-	-	-	-	-	-	-	4,409
	B	3	25	324	1413	436	26	3	-	-	-	-	-	-	-	-	-	-	-	-	2,230
	G	2	31	227	1457	416	41	2	3	-	-	-	-	-	-	-	-	-	-	-	2,179
<b>Stage II</b>	T	-	-	1	93	710	311	61	11	4	1	2	-	-	-	-	-	-	-	-	1,194
	B	-	-	-	46	353	160	30	6	3	-	1	-	-	-	-	-	-	-	-	599
	G	-	-	1	47	357	151	31	5	1	1	1	-	-	-	-	-	-	-	-	595
<b>PRIMARY</b>																					
<b>Std. I</b>	T	-	-	22	39	74	580	269	89	28	11	-	1	-	-	-	-	-	-	-	1,113
	B	-	-	11	16	38	281	124	64	25	9	-	-	-	-	-	-	-	-	-	568
	G	-	-	11	23	36	299	145	25	3	2	-	1	-	-	-	-	-	-	-	545
<b>Std. II</b>	T	-	-	-	-	-	92	468	273	111	57	15	-	-	-	-	-	-	-	-	1,016
	B	-	-	-	-	-	42	224	147	76	51	7	-	-	-	-	-	-	-	-	547
	G	-	-	-	-	-	50	244	126	35	6	8	-	-	-	-	-	-	-	-	469
<b>Std. III</b>	T	-	-	-	-	-	-	74	363	246	129	42	7	-	-	1	-	-	-	-	862
	B	-	-	-	-	-	-	32	167	885	56	17	1	-	-	-	-	-	-	-	358
	G	-	-	-	-	-	-	42	196	161	73	25	6	-	-	1	-	-	-	-	504
<b>Std. IV</b>	T	-	-	-	-	-	-	1	71	304	182	113	62	21	-	-	-	-	-	-	754
	B	-	-	-	-	-	-	-	29	119	92	50	34	18	-	-	-	-	-	-	342
	G	-	-	-	-	-	-	1	42	185	90	63	28	3	-	-	-	-	-	-	412

PUPILS CLASSIFIED BY CLASS, AGE AND SEX: 30TH JUNE, 1965

Table 68 (contd.)

Type of Class and Sex		Age																		Total	
		2	3	4	5	6	7	8	9	10	11	12	13	14	15	16	17	18	19		20
<b>PRIMARY:</b>																					
Std. V	T	-	-	-	-	-	-	-	-	38	205	119	64	46	24	13	1	1	-	-	511
	B	-	-	-	-	-	-	-	-	11	47	24	13	23	18	13	1	1	-	-	151
	G	-	-	-	-	-	-	-	-	27	158	95	51	23	6	-	-	-	-	-	360
Std. VI	T	-	-	-	-	-	-	-	-	-	-	-	-	-	7	7	1	-	-	-	15
	B	-	-	-	-	-	-	-	-	-	-	-	-	-	7	7	1	-	-	-	15
	G	-	-	-	-	-	-	-	-	-	-	-	-	-	-	-	-	-	-	-	-
Std. VII	T	-	-	-	-	-	-	-	-	-	-	-	1	7	8	4	-	-	-	-	20
	B	-	-	-	-	-	-	-	-	-	-	-	1	7	8	4	-	-	-	-	20
	G	-	-	-	-	-	-	-	-	-	-	-	-	-	-	-	-	-	-	-	-
<b>SECONDARY:</b>																					
Class I	T	-	-	-	-	-	-	-	5	15	132	320	357	309	113	32	6	1	-	-	1,290
	B	-	-	-	-	-	-	-	5	13	95	149	207	173	66	16	4	-	-	-	728
	G	-	-	-	-	-	-	-	-	2	37	171	150	136	47	16	2	1	-	-	562
Class II	T	-	-	-	-	-	-	-	-	12	110	246	321	311	124	32	1	-	-	-	1,157
	B	-	-	-	-	-	-	-	-	11	71	124	163	162	67	14	-	-	-	-	632
	G	-	-	-	-	-	-	-	-	1	39	122	138	149	57	18	1	-	-	-	525
Class III	T	-	-	-	-	-	-	-	-	-	6	68	200	240	244	107	15	4	-	-	985
	B	-	-	-	-	-	-	-	-	-	6	47	84	124	131	51	9	3	-	-	455
	G	-	-	-	-	-	-	-	-	-	-	21	116	117	113	56	6	1	-	-	430
Class IV	T	-	-	-	-	-	-	-	-	-	1	13	96	191	284	192	60	8	2	-	847
	B	-	-	-	-	-	-	-	-	-	1	13	71	97	129	115	37	7	1	-	471
	G	-	-	-	-	-	-	-	-	-	-	-	25	94	155	77	23	1	1	-	376
Class V	T	-	-	-	-	-	-	-	-	-	-	1	9	55	117	118	116	41	8	-	465
	B	-	-	-	-	-	-	-	-	-	-	1	9	53	87	84	86	35	7	-	362
	G	-	-	-	-	-	-	-	-	-	-	-	-	2	30	34	30	6	1	-	103
Class VI	T	-	-	-	-	-	-	-	-	-	-	-	-	-	-	-	19	12	10	15	56
	B	-	-	-	-	-	-	-	-	-	-	-	-	-	-	-	13	10	9	15	47
	G	-	-	-	-	-	-	-	-	-	-	-	-	-	-	-	6	2	1	-	9



Table 69.

Type of School		Malta																		
		Floriana	Valetta	Cospicua and Cottonera	Senglea	Vittoriosa	Hamrun	Sta. Venera	Marsa	Buata l-Bajda	Gzira	Maida	St. Julian's	Sliema	Monsija	Paola	Tarxien	Zabbar	Lija	Belzon
ALL TYPES	T	446	1007	1102	134	325	1282	71	143	1122	1217	81	596	2264	54	1032	593	188	171	539
	B	415	684	849	69	117	545	71	76	303	956	33	85	839	23	417	216	85	85	323
Nursery	G	31	325	253	65	208	737	-	67	819	261	48	511	1438	31	615	377	103	86	216
	B	-	-	-	-	-	-	-	-	-	-	-	-	14	-	-	-	-	-	-
Infants	G	-	-	-	-	-	-	-	-	-	-	-	-	20	-	-	-	-	-	-
	B	-	-	17	-	-	42	-	-	-	-	-	-	-	-	10	-	-	-	25
Primary	G	-	-	23	-	-	34	-	-	-	-	-	-	-	-	-	-	-	-	30
	B	-	-	-	-	-	36	-	-	-	-	-	-	20	-	-	-	-	-	-
Secondary	G	-	-	-	-	-	-	-	-	-	-	-	-	-	-	-	-	-	-	-
	B	383	411	-	-	-	-	71	-	-	-	-	-	-	-	-	-	-	-	-
Nursery/Infants	G	32	45	64	69	-	199	-	76	-	-	33	58	29	23	104	-	65	85	-
	B	31	39	50	65	-	162	-	67	-	-	48	45	29	31	97	-	103	86	-
Nursery/Infants/Primary	G	-	-	204	-	-	-	-	-	-	-	-	-	-	-	-	-	-	-	238
	B	-	-	180	-	-	39	-	-	-	-	-	-	-	-	-	-	-	-	186
Infants/Primary	G	-	-	-	-	-	-	-	-	-	-	-	-	-	-	-	-	-	-	-
	B	-	-	-	-	-	-	-	-	-	-	-	-	-	-	-	-	-	-	-
Infants/Primary/Secondary	G	-	-	375	-	-	103	-	-	303	956	-	27	69	-	303	-	-	-	-
	B	-	-	-	-	-	502	-	-	819	261	-	466	209	-	516	-	-	-	-
Primary/Secondary	G	-	-	189	-	-	165	-	-	-	-	-	-	-	-	-	-	-	-	-
	B	-	-	-	-	-	-	-	-	-	-	-	-	-	-	139	-	-	-	-
Nursery/Infants/Prim/Sec.	G	-	230	-	-	117	-	-	-	-	-	-	-	631	-	-	77	-	-	-
	B	-	234	-	-	203	-	-	-	-	-	-	-	1177	-	-	377	-	-	-

PRIVATE SCHOOLS

TYPE OF SCHOOL AND SEX: 30TH JUNE, 1965

Birkirkara	Malta																Gozo		
	Qormi	Birzebbugia	Ghaxaq	Gudja	Zejtun	Qrendi	Zurrieq	Kirkop	Mdina	Rabat	Siggiewi	Zebbug	Mellieha	Naxxar	Mosta	St. Paul's Bay	Nadur	Victoria	Xagħra
1,557	602	133	51	133	211	79	125	27	273	414	119	276	171	102	199	36	63	329	103
1,084	296	70	24	78	100	33	62	15	-	313	60	134	97	64	81	19	30	209	44
473	306	63	27	55	111	46	63	12	273	101	59	142	74	38	118	17	33	120	59
-	-	-	-	-	-	-	-	15	-	-	-	-	-	-	-	19	-	-	-
-	-	-	-	-	-	-	-	12	-	-	-	-	-	-	-	17	-	-	-
-	-	-	-	-	22	-	-	-	-	-	-	-	-	-	-	-	-	-	-
-	-	-	-	-	23	-	-	-	-	-	-	-	-	-	-	-	-	-	-
-	-	-	-	-	-	-	-	-	-	-	-	-	-	-	-	-	-	-	-
-	-	-	-	-	-	-	-	-	-	-	-	-	-	-	-	-	-	-	-
13	-	-	-	-	-	-	-	-	-	-	-	-	-	-	-	-	-	-	-
-	-	-	-	-	-	-	-	-	-	-	-	-	-	-	-	-	-	-	-
182	77	70	24	78	78	33	62	-	-	98	60	134	-	64	-	-	30	69	44
169	75	63	27	55	88	46	63	-	-	101	59	142	-	38	-	-	33	61	59
-	170	-	-	-	-	-	-	-	-	-	-	-	97	-	-	-	-	-	-
-	145	-	-	-	-	-	-	-	-	-	-	-	74	-	-	-	-	-	-
-	49	-	-	-	-	-	-	-	-	215	-	-	-	-	-	-	-	-	-
-	86	-	-	-	-	-	-	-	-	-	-	-	-	-	-	-	-	-	-
-	-	-	-	-	-	-	-	-	-	-	-	-	-	-	-	-	-	-	-
-	-	-	-	-	-	-	-	-	-	-	-	-	-	-	-	-	-	-	-
743	-	-	-	-	-	-	-	-	273	-	-	-	-	-	-	-	-	119	-
-	-	-	-	-	-	-	-	-	-	-	-	-	-	-	-	-	-	-	-
-	-	-	-	-	-	-	-	-	-	-	-	-	-	-	-	-	-	-	-
146	-	-	-	-	-	-	-	-	-	-	-	-	-	-	81	-	-	21	-
304	-	-	-	-	-	-	-	-	-	-	-	-	-	118	-	-	-	59	-

PRIVATE SCHOOLS

MEAN AGE OF PUPILS BY CLASS AND SEX: 1964/65

Table 70.

Type		Sex		
		Total	Boys	Girls
NURSERY		3.8	3.8	3.8
INFANTS:	Stage I	5.1	5.0	5.1
	Stage II	6.3	6.4	6.3
PRIMARY:	Class I	7.3	7.5	7.2
	Class II	8.6	8.8	8.4
	Class III	9.7	9.6	9.7
	Class IV	10.8	11.0	10.7
	Class V	12.0	12.7	11.7
	Class VI	15.6	15.6	-
	Class VII	14.8	14.8	-
SECONDARY:	Class I	13.0	13.0	13.1
	Class II	14.1	14.1	14.2
	Class III	15.2	15.2	15.2
	Class IV	15.9	15.9	16.0
	Class V	16.9	16.9	17.1
	Class VI	18.4	18.6	17.4

PROMOTED PUPILS CLASSIFIED BY CLASS, AGE AND SEX: 1964/65

Table 71.

Class and Sex	Age																		Total	
	3	4	5	6	7	8	9	10	11	12	13	14	15	16	17	18	19	20 & Over		
ALL CLASSES:	T	3	188	1645	1188	951	786	659	629	586	508	559	729	770	686	408	182	57	23	10,537
	B	1	115	787	619	445	354	305	252	266	214	301	398	416	383	248	130	48	21	5,303
	G	2	73	858	569	506	432	354	377	320	294	258	331	354	303	160	52	9	2	5,254
NURSERY:	B	-	-	-	-	-	-	-	-	-	-	-	-	-	-	-	-	-	-	-
	G	-	-	-	-	-	-	-	-	-	-	-	-	-	-	-	-	-	-	-
INFANTS:	Stage I	B	1	105	744	253	16	2	-	-	-	-	-	-	-	-	-	-	-	1,121
	G	2	63	811	214	31	-	-	-	-	-	-	-	-	-	-	-	-	-	1,121
Stage II	B	-	-	43	332	133	22	5	3	-	-	-	-	-	-	-	-	-	-	538
	G	-	-	47	324	134	26	4	-	1	-	-	-	-	-	-	-	-	-	536
PRIMARY:	Class I	B	-	10	-	34	255	91	16	2	1	-	-	-	-	-	-	-	-	409
	G	-	10	-	31	293	127	12	1	2	-	-	-	-	-	-	-	-	-	476
Class II	B	-	-	-	-	41	208	107	55	43	5	-	-	-	-	-	-	-	-	459
	G	-	-	-	-	48	237	107	27	5	3	-	-	-	-	-	-	-	-	427
Class III	B	-	-	-	-	-	31	147	68	32	9	-	-	-	-	-	-	-	-	287
	G	-	-	-	-	-	41	191	146	58	17	3	-	-	-	-	-	-	-	456
Class IV	B	-	-	-	-	-	-	29	107	67	36	18	3	-	-	-	-	-	-	260
	G	-	-	-	-	-	1	40	177	75	44	16	2	-	-	-	-	-	-	355
Class V	B	-	-	-	-	-	-	-	11	47	19	13	11	11	10	1	-	-	-	123
	G	-	-	-	-	-	-	-	24	144	70	34	11	4	-	-	-	-	-	287
Class VI	B	-	-	-	-	-	-	-	-	-	-	-	-	7	6	1	-	-	-	14
	G	-	-	-	-	-	-	-	-	-	-	-	-	-	-	-	-	-	-	-
Class VII	B	-	-	-	-	-	-	-	-	-	-	1	4	6	1	-	-	-	-	12
	G	-	-	-	-	-	-	-	-	-	-	-	-	-	-	-	-	-	-	-
SECONDARY:	Class I	B	-	-	-	-	-	1	6	65	70	95	63	21	5	1	-	-	-	327
	G	-	-	-	-	-	-	2	34	128	76	59	31	10	1	1	-	-	-	342
Class II	B	-	-	-	-	-	-	-	11	68	114	162	133	56	10	-	-	-	-	554
	G	-	-	-	-	-	-	-	1	32	108	123	118	39	14	-	-	-	-	435
Class III	B	-	-	-	-	-	-	-	-	6	46	77	104	113	44	8	2	-	-	400
	G	-	-	-	-	-	-	-	-	-	21	112	111	89	43	4	1	-	-	381
Class IV	B	-	-	-	-	-	-	-	-	1	13	69	83	107	101	30	4	1	-	409
	G	-	-	-	-	-	-	-	-	-	-	24	88	136	62	18	1	1	-	330
Class V	B	-	-	-	-	-	-	-	-	-	1	9	51	85	77	82	33	5	-	343
	G	-	-	-	-	-	-	-	-	-	-	-	2	29	34	27	6	1	-	99
Class VI	B	-	-	-	-	-	-	-	-	-	-	-	-	-	-	13	10	9	15	47
	G	-	-	-	-	-	-	-	-	-	-	-	-	-	-	6	2	1	-	9

PRIVATE SCHOOLS

REPEATERS CLASSIFIED BY CLASS, AGE AND SEX: 1964/65

Table 72.

Class		Age																	Total	
		3	4	5	6	7	8	9	10	11	12	13	14	15	16	17	18	19		20
TOTAL ALL CLASSES	T	11	67	163	182	38	50	45	35	39	63	60	79	115	84	47	18	4	-	1,100
	B	4	32	115	75	27	29	29	18	15	24	26	53	82	46	22	10	4	-	611
	G	7	35	48	107	11	21	16	17	24	39	34	26	33	38	25	8	-	-	489
NURSERY:	B	-	15	6	2	-	-	-	-	-	-	-	-	-	-	-	-	-	-	23
	G	-	19	3	5	-	-	-	-	-	-	-	-	-	-	-	-	-	-	27
INFANTS:																				
Stage I	B	4	17	109	66	6	-	-	-	-	-	-	-	-	-	-	-	-	-	202
	G	7	16	45	95	5	1	-	-	-	-	-	-	-	-	-	-	-	-	169
Stage II	B	-	-	-	7	12	6	1	-	-	1	-	-	-	-	-	-	-	-	27
	G	-	-	-	6	6	3	1	1	-	-	-	-	-	-	-	-	-	-	17
PRIMARY:																				
Standard I	B	-	-	-	-	9	15	6	1	-	-	-	-	-	-	-	-	-	-	31
	G	-	-	-	1	-	13	9	-	-	-	-	-	-	-	-	-	-	-	23
Standard II	B	-	-	-	-	-	8	21	11	1	-	-	-	-	-	-	-	-	-	41
	G	-	-	-	-	-	4	5	6	1	4	-	-	-	-	-	-	-	-	20
Standard III	B	-	-	-	-	-	-	1	5	7	3	-	-	-	-	-	-	-	-	16
	G	-	-	-	-	-	-	1	7	9	6	1	-	-	1	-	-	-	-	25
Standard IV	B	-	-	-	-	-	-	-	1	6	2	2	6	-	-	-	-	-	-	17
	G	-	-	-	-	-	-	-	2	11	15	9	1	-	-	-	-	-	-	38
Standard V	B	-	-	-	-	-	-	-	-	-	4	-	-	1	1	-	1	-	-	7
	G	-	-	-	-	-	-	-	1	3	10	11	6	1	-	-	-	-	-	32
Standard VI	B	-	-	-	-	-	-	-	-	-	-	-	-	-	1	-	-	-	-	1
	G	-	-	-	-	-	-	-	-	-	-	-	-	-	-	-	-	-	-	-
Standard VII	B	-	-	-	-	-	-	-	-	-	-	-	3	2	3	-	-	-	-	8
	G	-	-	-	-	-	-	-	-	-	-	-	-	-	-	-	-	-	-	-
SECONDARY:																				
Class I	B	-	-	-	-	-	-	-	-	1	13	19	22	27	4	1	-	-	-	87
	G	-	-	-	-	-	-	-	-	-	4	10	9	6	3	-	-	-	-	32
Class II	B	-	-	-	-	-	-	-	-	-	1	5	14	27	9	4	-	-	-	60
	G	-	-	-	-	-	-	-	-	-	-	3	8	20	16	4	1	-	-	52
Class III	B	-	-	-	-	-	-	-	-	-	-	-	6	12	14	5	1	1	-	39
	G	-	-	-	-	-	-	-	-	-	-	-	2	4	10	12	2	-	-	30
Class IV	B	-	-	-	-	-	-	-	-	-	-	-	2	13	14	8	5	3	-	45
	G	-	-	-	-	-	-	-	-	-	-	-	-	2	8	9	5	-	-	24
Class V	B	-	-	-	-	-	-	-	-	-	-	-	-	-	-	4	3	-	-	7
	G	-	-	-	-	-	-	-	-	-	-	-	-	-	-	-	-	-	-	-
Class VI	B	-	-	-	-	-	-	-	-	-	-	-	-	-	-	-	-	-	-	-
	G	-	-	-	-	-	-	-	-	-	-	-	-	-	-	-	-	-	-	-

NEW PUPILS CLASSIFIED BY AGE, SEX AND DETAILS OF ADMISSION: 1964/65

Table 73.

Sex	Age																			Total
	2	3	4	5	6	7	8	9	10	11	12	13	14	15	16	17	18	19	20	
Total Admissions																				
Total	25	988	1,749	1545	295	61	42	111	82	104	157	201	201	65	56	21	6	2	2	5,713
Boys	16	498	950	777	145	37	30	84	62	80	88	114	117	37	25	13	3	2	2	3,080
Girls	9	490	799	768	150	24	12	27	20	24	69	87	84	28	31	8	3	-	-	2,633
Previously never attended school																				
Total	25	987	1746	1525	241	5	1	1	-	1	-	3	1	1	2	-	-	-	-	4,539
Boys	16	498	947	768	113	1	-	-	-	1	-	1	-	-	-	-	-	-	-	2,345
Girls	9	489	799	757	128	4	1	1	-	-	-	2	1	1	2	-	-	-	-	2,194
Admitted from other schools																				
Total	-	1	3	20	54	56	41	110	82	103	157	198	200	64	54	21	6	2	2	1,174
Boys	-	-	3	9	32	36	30	84	62	79	88	113	117	37	25	13	3	2	2	735
Girls	-	1	-	11	22	20	11	26	20	24	69	85	83	27	29	8	3	-	-	439

PRIVATE SCHOOLS

NEW PUPILS CLASSIFIED BY AGE, SEX AND CLASS: 1964/65

Table 74.

Class and Sex	Age																			Total
	2	3	4	5	6	7	8	9	10	11	12	13	14	15	16	17	18	19	20	
<b>TOTAL ALL CLASSES:</b>																				
T	25	988	1749	1545	295	61	42	111	82	104	157	201	201	65	56	21	6	2	2	5,713
B	16	498	950	777	145	37	30	84	62	80	88	114	117	37	25	13	3	2	2	3,080
G	9	490	799	768	150	24	12	27	20	24	69	87	84	28	31	8	3	-	-	2,633
<b>NURSERY:</b>																				
B	13	478	747	198	10	-	-	-	-	-	-	-	-	-	-	-	-	-	-	1,446
G	7	468	649	144	12	-	-	-	-	-	-	-	-	-	-	-	-	-	-	1,280
<b>INFANTS:</b>																				
<b>Stage I</b>																				
B	3	20	202	560	117	4	1	-	-	-	-	-	-	-	-	-	-	-	-	907
G	2	22	148	601	107	5	1	3	-	-	-	-	-	-	-	-	-	-	-	889
<b>Stage II</b>																				
B	-	-	-	3	14	15	2	-	-	-	-	-	-	-	-	-	-	-	-	34
G	-	-	1	-	27	11	2	-	-	-	1	-	-	-	-	-	-	-	-	42
<b>PRIMARY:</b>																				
<b>Std. I</b>																				
B	-	-	1	16	4	17	18	42	22	8	-	-	-	-	-	-	-	-	-	128
G	-	-	1	23	4	6	5	4	2	-	-	1	-	-	-	-	-	-	-	46
<b>Std. II</b>																				
B	-	-	-	-	-	1	8	19	10	7	2	-	-	-	-	-	-	-	-	47
G	-	-	-	-	-	2	3	14	2	-	1	-	-	-	-	-	-	-	-	22
<b>Std. III</b>																				
B	-	-	-	-	-	-	1	19	12	17	5	1	-	-	-	-	-	-	-	55
G	-	-	-	-	-	-	1	4	8	6	2	2	-	-	-	-	-	-	-	23
<b>Std. IV</b>																				
B	-	-	-	-	-	-	-	-	11	19	12	14	9	-	-	-	-	-	-	65
G	-	-	-	-	-	-	-	2	6	4	4	3	-	-	-	-	-	-	-	19
<b>Std. V</b>																				
B	-	-	-	-	-	-	-	-	-	-	1	-	12	6	2	-	-	-	-	21
G	-	-	-	-	-	-	-	-	2	11	15	6	6	1	-	-	-	-	-	41
<b>Std. VI</b>																				
B	-	-	-	-	-	-	-	-	-	-	-	-	-	-	-	-	-	-	-	-
G	-	-	-	-	-	-	-	-	-	-	-	-	-	-	-	-	-	-	-	-
<b>SECONDARY:</b>																				
<b>Class I</b>																				
B	-	-	-	-	-	-	-	4	7	29	66	93	88	18	7	2	-	-	-	314
G	-	-	-	-	-	-	-	-	-	3	39	64	68	10	3	1	-	-	-	188
<b>Class II</b>																				
B	-	-	-	-	-	-	-	-	-	-	2	5	7	2	2	-	-	-	-	18
G	-	-	-	-	-	-	-	-	-	-	7	11	7	11	2	-	-	-	-	38
<b>Class III</b>																				
B	-	-	-	-	-	-	-	-	-	-	-	1	1	8	4	2	-	-	-	16
G	-	-	-	-	-	-	-	-	-	-	-	-	2	2	14	1	-	-	-	19
<b>Class IV</b>																				
B	-	-	-	-	-	-	-	-	-	-	-	-	-	1	8	6	2	-	-	17
G	-	-	-	-	-	-	-	-	-	-	-	-	1	4	11	6	-	-	-	22
<b>Class V</b>																				
B	-	-	-	-	-	-	-	-	-	-	-	-	-	2	2	3	1	2	2	12
G	-	-	-	-	-	-	-	-	-	-	-	-	-	-	1	-	3	-	-	4
<b>Class VI</b>																				
B	-	-	-	-	-	-	-	-	-	-	-	-	-	-	-	-	-	-	-	-
G	-	-	-	-	-	-	-	-	-	-	-	-	-	-	-	-	-	-	-	-

NUMBER AND PERCENTAGE OF NEW PUPILS, PROMOTED PUPILS AND REPEATERS CLASSIFIED BY CLASS AND SEX: 30th JUNE, 1965

Table 75.

Class	Total Pupils				New Pupils				Promoted Pupils				Repeaters			
	Boys		Girls		Boys		Girls		Boys		Girls		Boys		Girls	
	No.	%	No.	%	No.	%	No.	%	No.	%	No.	%	No.	%	No.	%
TOTAL ALL CLASSES	8,994	100.0	8,376	100.0	3,080	100.0	2,633	100.0	5,303	100.0	5,254	100.0	611	100.0	489	100.0
Nursery	1,469	16.3	1,307	15.6	1,446	46.9	1,280	48.6	-	-	-	-	23	3.8	27	5.5
INFANTS:																
Stage I	2,230	24.8	2,179	26.0	907	29.4	889	33.8	1,121	21.1	1,121	21.2	202	33.1	169	34.7
Stage II	599	6.7	595	7.1	34	1.1	42	1.6	538	10.2	536	10.2	27	4.4	17	3.5
PRIMARY:																
Class I	568	6.3	545	6.5	128	4.2	46	1.7	409	7.7	476	9.1	31	5.1	23	4.7
Class II	547	6.1	469	5.6	47	1.5	22	0.8	459	8.7	427	8.1	41	6.7	20	4.1
Class III	358	4.0	504	6.0	55	1.8	23	0.9	287	5.4	456	8.7	16	2.6	25	5.1
Class IV	342	3.8	412	4.9	65	2.1	19	0.7	260	4.9	355	6.8	17	2.8	38	7.8
Class V	151	1.7	360	4.3	21	0.7	41	1.6	123	2.3	287	5.5	7	1.1	32	6.5
Class VI	15	0.2	-	-	-	-	-	-	14	0.3	-	-	1	0.2	-	-
Class VII	20	0.2	-	-	-	-	-	-	12	0.2	-	-	8	1.3	-	-
SECONDARY:																
Class I	728	8.1	562	6.7	314	10.2	188	7.2	327	6.2	342	6.5	87	14.2	32	6.5
Class II	632	7.0	525	6.3	18	0.6	38	1.4	554	10.4	435	8.3	60	9.8	52	10.6
Class III	455	5.1	430	5.2	16	0.5	19	0.7	400	7.5	381	7.3	39	6.4	30	6.1
Class IV	471	5.2	376	4.5	17	0.6	22	0.8	409	7.7	330	6.3	45	7.4	24	4.9
Class V	362	4.0	103	1.2	12	0.4	4	0.2	343	6.5	99	1.9	7	1.1	-	-
Class VI	47	0.5	9	0.1	-	-	-	-	47	0.9	9	0.1	-	-	-	-



PRIVATE SCHOOLS

PUPILS THAT LEFT SCHOOL CLASSIFIED BY SEX, CAUSE AND MONTH OF LEAVING: 1964/65

Table 76.

Sex	1964						1965						Total	
	July	Aug.	Sept.	Oct.	Nov.	Dec.	Jan.	Feb.	March	April	May	June		July
<b>All Causes</b>														
Total	976	-	2,357	19	35	67	64	37	91	107	76	20	25	3,874
Boys	546	-	1,282	11	13	36	35	19	42	63	37	13	20	2,117
Girls	430	-	1,075	8	22	31	29	18	49	44	39	7	5	1,757
<b>Emigrated</b>														
Total	132	-	-	9	12	12	16	12	23	21	24	10	3	274
Boys	84	-	-	7	4	7	10	8	11	11	16	3	3	164
Girls	48	-	-	2	8	5	6	4	12	10	8	7	-	110
<b>Completed Course</b>														
Total	484	-	-	-	-	-	-	-	-	-	-	-	-	484
Boys	262	-	-	-	-	-	-	-	-	-	-	-	-	262
Girls	222	-	-	-	-	-	-	-	-	-	-	-	-	222
<b>Exempted</b>														
Total	36	-	-	-	-	-	3	2	4	14	4	-	-	63
Boys	20	-	-	-	-	-	3	1	4	14	4	-	-	46
Girls	16	-	-	-	-	-	-	1	-	-	-	-	-	17
<b>Deceased</b>														
Total	2	-	-	-	-	-	-	-	1	-	-	-	-	3
Boys	-	-	-	-	-	-	-	-	1	-	-	-	-	1
Girls	2	-	-	-	-	-	-	-	-	-	-	-	-	2
<b>Entered Lyceum, Grammar or Secondary Technical Schools</b>														
Total	-	-	180	-	-	-	-	-	-	-	-	-	-	180
Boys	-	-	92	-	-	-	-	-	-	-	-	-	-	92
Girls	-	-	88	-	-	-	-	-	-	-	-	-	-	88
<b>Entered Technical Schools</b>														
Total	-	-	67	-	-	-	-	-	-	-	-	-	-	67
Boys	-	-	65	-	-	-	-	-	-	-	-	-	-	65
Girls	-	-	2	-	-	-	-	-	-	-	-	-	-	2
<b>Entered another Private School</b>														
Total	-	-	388	4	2	14	10	3	20	13	9	3	16	482
Boys	-	-	217	2	2	8	7	2	12	10	2	3	16	281
Girls	-	-	171	2	-	6	3	1	8	3	7	-	-	201
<b>Entered Government Primary School</b>														
Total	-	-	1,716	3	4	7	13	5	12	13	7	-	2	1,782
Boys	-	-	905	1	2	3	6	3	3	8	4	-	1	936
Girls	-	-	811	2	2	4	7	2	9	5	3	-	1	846
<b>Other Causes</b>														
Total	322	-	6	3	17	34	22	15	31	46	32	7	4	539
Boys	180	-	3	1	5	18	9	5	11	20	11	7	-	270
Girls	142	-	3	2	12	16	13	10	20	26	21	-	4	269

PUPILS THAT LEFT SCHOOL CLASSIFIED BY SEX, AGE AND CAUSE OF LEAVING: 1964/65

Table 77.

Sex	Age																		Total
	3	4	5	6	7	8	9	10	11	12	13	14	15	16	17	18	19	20 & over	
All Causes																			
Total	44	141	604	1184	187	100	75	143	80	80	103	195	157	259	224	176	100	22	3,874
Boys	13	84	314	604	106	66	48	101	53	42	53	79	82	131	123	120	78	20	2,117
Girls	31	57	290	580	81	34	27	42	27	38	50	116	75	128	101	56	22	2	1,757
Emigrated																			
Total	20	51	51	32	19	8	5	5	8	3	7	14	8	20	13	6	3	1	274
Boys	7	34	32	17	10	2	3	4	4	2	4	7	5	15	9	5	3	1	164
Girls	13	17	19	15	9	6	2	1	4	1	3	7	3	5	4	1	-	-	110
Completed Course																			
Total	-	-	-	-	-	-	-	-	-	-	-	57	18	90	106	117	78	18	484
Boys	-	-	-	-	-	-	-	-	-	-	-	17	5	31	48	81	64	16	262
Girls	-	-	-	-	-	-	-	-	-	-	-	40	13	59	58	36	14	2	222
Exempted																			
Total	1	-	-	-	-	1	-	-	-	-	1	10	9	15	15	9	1	1	63
Boys	-	-	-	-	-	1	-	-	-	-	1	7	7	8	12	8	1	1	46
Girls	1	-	-	-	-	-	-	-	-	-	-	3	2	7	3	1	-	-	17
Deceased																			
Total	1	-	1	-	-	-	-	-	-	-	-	1	-	-	-	-	-	-	3
Boys	-	-	-	-	-	-	-	-	-	-	-	1	-	-	-	-	-	-	1
Girls	1	-	1	-	-	-	-	-	-	-	-	-	-	-	-	-	-	-	2
Entered Lyceum, Grammar or Secondary Technical Schools																			
Total	-	-	-	-	-	-	-	52	16	36	27	28	14	7	-	-	-	-	180
Boys	-	-	-	-	-	-	-	36	11	20	13	6	3	3	-	-	-	-	92
Girls	-	-	-	-	-	-	-	16	5	16	14	22	11	4	-	-	-	-	88
Entered Technical Schools																			
Total	-	-	-	-	-	-	-	3	3	1	3	12	26	15	2	1	1	-	67
Boys	-	-	-	-	-	-	-	3	3	1	3	10	26	15	2	1	1	-	65
Girls	-	-	-	-	-	-	-	-	-	-	-	2	-	-	-	-	-	-	2
Entered another Private School																			
Total	12	50	84	53	37	36	29	49	27	14	27	17	16	15	10	3	3	-	482
Boys	4	32	44	20	31	29	22	39	21	8	11	5	5	5	4	1	-	-	281
Girls	8	18	40	33	6	7	7	10	6	6	16	12	11	10	6	2	3	-	201
Entered Government Primary Schools																			
Total	-	1	408	1078	121	44	30	25	22	19	21	9	3	1	-	-	-	-	1,782
Boys	-	-	214	561	61	27	17	14	10	9	15	7	1	-	-	-	-	-	936
Girls	-	1	194	517	60	17	13	11	12	10	6	2	2	1	-	-	-	-	846
Other Causes																			
Total	10	39	60	21	10	11	11	9	4	7	17	47	63	96	78	40	14	2	539
Boys	2	18	24	6	4	7	6	5	4	2	6	19	30	54	48	24	9	2	270
Girls	8	21	36	15	6	4	5	4	-	5	11	28	33	42	30	16	5	-	269

PRIVATE SCHOOLS

NUMBER OF CLASSES AND NUMBER OF PUPILS CLASSIFIED BY RANGE OF PUPILS IN SCHOOL AND CLASS: 30TH JUNE, 1965

Table 78.

Class	Number of classes having the following number of pupils														Total Number of Classes	Total Number of Pupils	Average Number of Pupils per Class
	Under 20		20 - 24		25 - 29		30 - 34		35 - 39		40 - 44		45 & Over				
	No. of Classes	No. of Pupils	No. of Classes	No. of Pupils	No. of Classes	No. of Pupils	No. of Classes	No. of Pupils	No. of Classes	No. of Pupils	No. of Classes	No. of Pupils	No. of Classes	No. of Pupils			
All Schools																	
NURSERY	7	108	7	153	17	457	25	800	8	298	5	207	15	753	84	2,776	33.0
INFANTS:	29	476	14	317	20	538	39	1,248	32	1,175	25	1,044	16	805	175	5,603	32.0
Stage I	22	354	9	200	13	345	35	1,119	22	810	22	917	13	664	136	4,409	32.4
Stage II	7	122	5	117	7	193	4	129	10	365	3	127	3	141	39	1,194	30.6
PRIMARY:	43	550	27	588	20	543	29	933	19	700	10	414	12	533	160	4,291	26.8
Std. I	4	55	6	127	3	80	11	361	6	219	2	84	4	187	36	1,113	30.9
Std. II	8	108	5	113	6	166	8	253	3	113	3	121	3	142	36	1,016	28.2
Std. III	10	147	8	175	6	162	2	62	4	143	3	123	1	50	34	862	25.4
Std. IV	11	114	3	69	4	110	4	129	4	151	1	42	3	139	30	754	25.1
Std. V	9	111	4	84	1	25	4	128	2	74	1	44	1	45	22	511	23.2
Std. VI	1	15	-	-	-	-	-	-	-	-	-	-	-	-	1	15	15.0
Std. VII	-	-	1	20	-	-	-	-	-	-	-	-	-	-	1	20	20.0
SECONDARY:	42	546	29	646	42	1,134	42	1,338	15	556	7	290	4	130	181	4,700	26.0
Class I	7	88	4	90	11	296	18	578	3	112	2	81	1	45	46	1,290	28.0
Class II	8	103	5	115	7	189	13	416	4	153	2	82	2	99	41	1,157	28.2
Class III	6	87	8	179	10	270	6	187	2	72	1	44	1	46	34	885	26.0
Class IV	9	124	6	132	10	271	2	61	6	219	1	40	-	-	34	847	24.9
Class V	10	131	6	130	4	108	3	96	-	-	-	-	-	-	23	465	20.2
Class VI	2	13	-	-	-	-	-	-	-	-	1	43	-	-	3	56	18.7
TOTAL	121	1,680	77	1,704	99	2,672	135	4,319	74	2,729	47	1,955	47	2,311	600	17,370	29.0

NUMBER OF CLASSES AND NUMBER OF PUPILS CLASSIFIED BY RANGE OF PUPILS IN SCHOOL AND CLASS: 30TH JUNE, 1965

Table 78. (Contd.)

Class	Number of Classes having the following number of pupils														Total Number of Classes	Total Number of Pupils	Average Number of Pupils per Class
	Under 20		20 - 24		25 - 29		30 - 34		35 - 39		40 - 44		45 & Over				
	No. of Classes	No. of Pupils	No. of Classes	No. of Pupils	No. of Classes	No. of Pupils	No. of Classes	No. of Pupils	No. of Classes	No. of Pupils	No. of Classes	No. of Pupils	No. of Classes	No. of Pupils			
Schools with under 100 Pupils																	
NURSERY	4	56	2	41	6	157	4	121	2	72	1	40	1	45	20	532	26.6
INFANTS:																	
Stage I	12	192	3	67	1	27	5	160	2	72	2	85	1	45	26	648	24.9
Stage II	2	37	-	-	-	-	-	-	-	-	-	-	-	-	2	37	18.5
PRIMARY:																	
Std. I	-	-	2	40	-	-	-	-	-	-	-	-	-	-	2	40	20.0
Std. II	2	22	-	-	-	-	-	-	-	-	-	-	-	-	2	22	11.0
Std. III	2	21	-	-	-	-	-	-	-	-	-	-	-	-	2	21	10.5
Std. IV	2	14	-	-	-	-	-	-	-	-	-	-	-	-	2	14	7.0
Std. V	-	-	1	21	-	-	-	-	-	-	-	-	-	-	1	21	21.0
Std. VI	1	15	-	-	-	-	-	-	-	-	-	-	-	-	1	15	15.0
Std. VII	-	-	-	-	-	-	-	-	-	-	-	-	-	-	-	-	-
SECONDARY																	
Class I	4	45	-	-	1	25	1	34	-	-	-	-	-	-	6	104	17.3
Class II	4	54	-	-	-	-	-	-	-	-	-	-	-	-	4	54	13.5
Class III	2	19	-	-	-	-	-	-	-	-	-	-	-	-	2	19	9.5
Class IV	2	23	-	-	-	-	-	-	-	-	-	-	-	-	2	23	11.5
Class V	1	9	-	-	-	-	-	-	-	-	-	-	-	-	1	9	9.0
Class VI	-	-	-	-	-	-	-	-	-	-	-	-	-	-	-	-	-
TOTAL	38	507	8	169	8	209	10	315	4	144	3	125	2	90	73	1,559	21.36

PRIVATE SCHOOLS

NUMBER OF CLASSES AND NUMBER OF PUPILS CLASSIFIED BY RANGE OF PUPILS IN SCHOOL AND CLASS: 30TH JUNE, 1965

Table 78. (Contd.)

Class	Number of Classes having the following number of Pupils														Total Number of Classes	Total Number of Pupils	Average Number of Pupils per Class
	Under 20		20 - 24		25 - 29		30 - 34		35 - 39		40 - 44		45 & Over				
	No. of Classes	No. of Pupils	No. of Classes	No. of Pupils	No. of Classes	No. of Pupils	No. of Classes	No. of Pupils	No. of Classes	No. of Pupils	No. of Classes	No. of Pupils	No. of Classes	No. of Pupils			
Schools with 100 to 199 Pupils																	
NURSERY:	1	14	3	68	9	250	11	354	5	189	2	83	6	281	37	1,239	33.5
INFANTS:																	
Stage I	3	54	2	45	10	263	16	511	11	409	4	163	1	48	47	1,493	31.8
Stage II	1	18	0	0	1	26	0	0	0	0	0	0	0	0	2	44	22.0
PRIMARY:																	
Std. I	2	30	1	23	1	27	0	0	0	0	0	0	0	0	4	80	20.0
Std. II	2	22	0	0	1	29	0	0	0	0	0	0	0	0	3	51	17.0
Std. III	2	29	1	21	0	0	0	0	0	0	0	0	0	0	3	50	16.7
Std. IV	3	29	0	0	0	0	1	33	0	0	0	0	0	0	4	62	15.5
Std. V	2	13	0	0	0	0	1	33	0	0	0	0	0	0	3	46	15.3
Std. VI	0	0	0	0	0	0	0	0	0	0	0	0	0	0	0	0	0
Std. VII	0	0	1	20	0	0	0	0	0	0	0	0	0	0	1	20	20.0
SECONDARY:																	
Class I	1	11	0	0	1	26	4	127	0	0	0	0	0	0	6	164	27.3
Class II	2	25	1	24	1	25	1	33	0	0	0	0	0	0	5	108	21.6
Class III	0	0	2	45	0	0	1	32	0	0	0	0	0	0	3	77	25.7
Class IV	2	34	0	0	0	0	0	0	0	0	0	0	0	0	2	34	17.0
Class V	3	39	0	0	1	27	0	0	0	0	0	0	0	0	4	66	16.5
Class VI	1	4	0	0	0	0	0	0	0	0	0	0	0	0	1	4	4.0
<b>TOTAL</b>	<b>25</b>	<b>323</b>	<b>11</b>	<b>246</b>	<b>25</b>	<b>673</b>	<b>35</b>	<b>1,123</b>	<b>16</b>	<b>598</b>	<b>6</b>	<b>246</b>	<b>7</b>	<b>329</b>	<b>125</b>	<b>3,538</b>	<b>28.3</b>

NUMBER OF CLASSES AND NUMBER OF PUPILS CLASSIFIED BY RANGE OF PUPILS IN SCHOOL AND CLASS: 30th JUNE, 1965

Table 7B. (Contd.)

Class	Number of Classes having the following number of Pupils														Total Number of Classes	Total Number of Pupils	Average number of Pupils per Class
	Under 20		20 - 24		25 - 29		30 - 34		35 - 39		40 - 44		45 & Over				
	No. of Classes	No. of Pupils	No. of Classes	No. of Pupils	No. of Classes	No. of Pupils	No. of Classes	No. of Pupils	No. of Classes	No. of Pupils	No. of Classes	No. of Pupils	No. of Classes	No. of Pupils			
Schools with 200 to 399 pupils																	
NURSERY:	-	-	2	44	1	25	3	96	-	-	2	84	4	195	12	444	37.0
INFANTS:																	
Stage I	2	28	3	64	1	26	6	189	5	184	8	331	5	254	30	1,076	35.9
Stage II	2	35	1	23	1	29	2	66	1	37	1	43	1	46	9	279	31.0
PRIMARY:																	
Std. I	-	-	2	41	-	-	3	96	-	-	1	43	-	-	6	180	30.0
Std. II	2	34	1	24	2	54	1	31	-	-	-	-	1	45	7	188	26.9
Std. III	1	12	2	40	1	29	-	-	2	70	-	-	-	-	6	151	25.2
Std. IV	3	43	1	23	1	29	1	31	-	-	-	-	-	-	6	126	21.0
Std. V	4	54	-	-	1	25	-	-	-	-	-	-	-	-	5	79	15.8
Std. VI	-	-	-	-	-	-	-	-	-	-	-	-	-	-	-	-	-
Std. VII	-	-	-	-	-	-	-	-	-	-	-	-	-	-	-	-	-
SECONDARY:																	
Class I	1	15	1	22	4	109	2	66	-	-	-	-	-	-	8	212	26.5
Class II	1	14	2	45	3	83	3	95	-	-	-	-	-	-	9	237	26.3
Class III	3	51	2	45	2	53	1	31	-	-	-	-	-	-	8	180	22.5
Class IV	3	41	4	88	1	25	-	-	-	-	-	-	-	-	8	154	19.3
Class V	5	71	3	63	-	-	1	32	-	-	-	-	-	-	9	166	11.8
Class VI	-	-	-	-	-	-	-	-	-	-	-	-	-	-	-	-	-
<b>TOTAL</b>	<b>27</b>	<b>398</b>	<b>24</b>	<b>522</b>	<b>18</b>	<b>487</b>	<b>23</b>	<b>733</b>	<b>8</b>	<b>291</b>	<b>12</b>	<b>501</b>	<b>11</b>	<b>540</b>	<b>123</b>	<b>3,472</b>	<b>28.2</b>

PRIVATE SCHOOLS

NUMBER OF CLASSES AND NUMBER OF PUPILS CLASSIFIED BY RANGE OF PUPILS IN SCHOOL AND CLASS: 30th JUNE, 1965

Table 78. (Contd.)

Class	Number of Classes having the following number of Pupils														Total Number of Classes	Total Number of Pupils	Average Number of Pupils per Class
	Under 20		20 - 24		25 - 29		30 - 34		35 - 39		40 - 44		45 & Over				
	No. of Classes	No. of Pupils	No. of Classes	No. of Pupils	No. of Classes	No. of Pupils	No. of Classes	No. of Pupils	No. of Classes	No. of Pupils	No. of Classes	No. of Pupils	No. of Classes	No. of Pupils			
Schools with 400 to 599 Pupils																	
NURSERY	2	38	-	-	1	25	5	164	1	37	-	-	3	172	12	436	36.3
INFANTS:																	
Stage I	4	64	1	24	1	29	6	192	1	35	2	84	3	149	18	577	32.1
Stage II	2	32	4	94	3	81	1	31	3	105	1	43	1	47	15	433	28.9
PRIMARY:																	
Std. I	2	25	1	23	2	53	2	65	2	73	1	41	1	46	11	326	29.6
Std. II	1	14	4	89	1	29	-	-	2	74	-	-	-	-	8	206	25.8
Std. III	3	53	4	90	3	79	-	-	-	-	-	-	-	-	10	222	22.2
Std. IV	2	16	1	23	1	27	2	65	-	-	-	-	-	-	6	131	21.8
Std. V	1	16	1	21	-	-	1	32	1	35	-	-	-	-	4	104	26.0
Std. VI	-	-	-	-	-	-	-	-	-	-	-	-	-	-	-	-	-
Std. VII	-	-	-	-	-	-	-	-	-	-	-	-	-	-	-	-	-
SECONDARY:																	
Class I	1	17	3	68	1	28	5	158	-	-	-	-	-	-	10	271	27.1
Class II	1	9	2	46	1	25	4	127	-	-	-	-	-	-	8	207	25.9
Class III	1	17	2	44	4	105	-	-	-	-	-	-	-	-	7	166	23.7
Class IV	2	26	1	24	2	52	-	-	3	105	-	-	-	-	8	207	25.9
Class V	1	12	-	-	-	-	1	34	-	-	-	-	-	-	2	46	23.0
Class VI	1	9	-	-	-	-	-	-	-	-	-	-	-	-	1	9	9.0
TOTAL	24	348	24	546	20	533	27	868	13	464	4	168	8	414	120	3,341	27.8

NUMBER OF CLASSES AND NUMBER OF PUPILS CLASSIFIED BY RANGE OF PUPILS IN SCHOOL AND CLASS: 30th JUNE, 1965

Table 78. (Contd.)

Class	Number of Classes having the following number of Pupils														Total Number of Classes	Total Number of Pupils	Average Number of Pupils per Class
	Under 20		20 - 24		25 - 29		30 - 34		35 - 39		40 - 44		45 & Over				
	No. of Classes	No. of Pupils	No. of Classes	No. of Pupils	No. of Classes	No. of Pupils	No. of Classes	No. of Pupils	No. of Classes	No. of Pupils	No. of Classes	No. of Pupils	No. of Classes	No. of Pupils			
Schools with 600 to 799 Pupils																	
NURSERY	0	0	0	0	0	0	2	65	0	0	0	0	0	0	2	65	32.5
INFANTS:																	
Stage I	0	0	0	0	0	0	0	34	0	38	0	0	0	0	2	72	36.0
Stage II	0	0	0	0	0	0	0	0	0	35	0	0	0	0	0	35	35.0
PRIMARY:																	
Std. I	0	0	0	0	0	0	2	68	0	0	0	0	0	0	2	68	34.0
Std. II	0	16	0	0	0	25	2	62	0	0	0	0	0	0	4	103	25.8
Std. III	0	17	0	0	0	0	0	0	0	0	0	0	0	0	0	17	17.0
Std. IV	0	12	0	0	0	0	0	0	0	0	0	0	0	0	0	12	12.0
Std. V	0	11	0	0	0	0	0	0	0	0	0	0	0	0	0	11	11.0
Std. VI	0	0	0	0	0	0	0	0	0	0	0	0	0	0	0	0	0
Std. VII	0	0	0	0	0	0	0	0	0	0	0	0	0	0	0	0	0
SECONDARY																	
Class I	0	0	0	0	3	82	0	30	0	0	2	81	0	0	6	193	32.2
Class II	0	0	0	0	2	56	3	97	0	38	0	42	0	0	7	233	33.3
Class III	0	0	0	0	3	85	0	31	0	0	0	44	0	46	6	206	34.3
Class IV	0	0	0	0	3	83	0	30	0	39	0	40	0	0	6	192	32.0
Class V	0	0	2	44	2	54	0	0	0	0	0	0	0	0	4	98	24.5
Class VI	0	0	0	0	0	0	0	0	0	0	0	43	0	0	0	43	43.0
<b>TOTAL</b>	<b>4</b>	<b>56</b>	<b>2</b>	<b>44</b>	<b>14</b>	<b>385</b>	<b>13</b>	<b>417</b>	<b>4</b>	<b>150</b>	<b>6</b>	<b>250</b>	<b>0</b>	<b>46</b>	<b>44</b>	<b>1,348</b>	<b>30.6</b>
Schools with 800 to 999 Pupils																	
NURSERY	0	0	0	0	0	0	0	0	0	0	0	0	0	0	0	0	0
INFANTS:																	
Stage I	0	16	0	0	0	0	0	33	0	0	3	126	2	94	7	269	38.4
Stage II	0	0	0	0	0	28	0	0	0	0	0	41	0	48	3	117	39.0



PRIVATE SCHOOLS

NUMBER OF CLASSES AND NUMBER OF PUPILS CLASSIFIED BY RANGE OF PUPILS IN SCHOOL AND CLASS: 30th JUNE, 1965

Table 78. (Contd.)

Class	Number of Classes having the following number of pupils														Total Number of Classes	Total Number of Pupils	Average number of Pupils per class
	Under 20		20 - 24		25 - 29		30 - 34		35 - 39		40 - 44		45 & Over				
	No. of Classes	No. of Pupils	No. of Classes	No. of Pupils	No. of Classes	No. of Pupils	No. of Classes	No. of Pupils	No. of Classes	No. of Pupils	No. of Classes	No. of Pupils	No. of Classes	No. of Pupils			
Schools with 800 to 999 Pupils (contd.)																	
PRIMARY:																	
Std. I	0	0	0	0	0	0	2	66	0	0	0	0	2	95	4	161	40.3
Std. II	0	0	0	0	0	0	0	0	1	39	1	41	2	97	4	177	44.3
Std. III	0	0	0	0	0	0	2	62	1	35	0	0	1	50	4	147	36.8
Std. IV	0	0	0	0	0	0	0	0	2	76	0	0	0	46	4	148	37.0
Std. V	0	0	0	22	0	0	0	0	1	39	0	0	0	0	2	61	30.5
Std. VI	0	0	0	0	0	0	0	0	0	0	0	0	0	0	0	0	0
Std. VII	0	0	0	0	0	0	0	0	0	0	0	0	0	0	0	0	0
SECONDARY																	
Class I	0	0	0	0	0	26	3	96	1	38	0	0	1	45	6	205	34.2
Class II	0	0	0	0	0	0	0	0	0	38	0	0	2	99	3	137	45.7
Class III	0	0	0	0	0	0	2	63	0	35	0	0	0	0	3	98	32.7
Class IV	0	0	0	0	2	54	1	31	1	39	0	0	0	0	4	124	31.0
Class V	0	0	0	23	0	0	0	30	0	0	0	0	0	0	2	53	26.5
TOTAL	0	16	2	45	5	134	12	381	9	339	5	208	12	574	46	1,697	36.9
Schools with 1,000 Pupils and Over																	
NURSERY:	0	0	0	0	0	0	0	0	0	0	0	0	1	60	1	60	60.0
INFANTS:																	
Stage I	0	0	0	0	0	0	0	0	2	72	3	128	1	74	6	274	45.7
Stage II	0	0	0	0	0	29	1	32	5	188	0	0	0	0	7	249	35.6
PRIMARY:																	
Std. I	0	0	0	0	0	0	2	66	4	146	0	0	1	46	7	258	36.9
Std. II	0	0	0	0	1	29	5	160	0	0	2	80	0	0	8	269	33.6
Std. III	0	15	0	24	2	54	0	0	1	38	3	123	0	0	8	254	31.8
Std. IV	0	0	0	23	1	28	0	0	2	75	1	42	2	93	7	261	37.3
Std. V	0	17	0	20	0	0	2	63	0	0	1	44	1	45	6	189	31.5
Std. VI	0	0	0	0	0	0	0	0	0	0	0	0	0	0	0	0	0
Std. VII	0	0	0	0	0	0	0	0	0	0	0	0	0	0	0	0	0
SECONDARY																	
Class I	0	0	0	0	0	0	2	67	2	74	0	0	0	0	4	141	35.3
Class II	0	0	0	0	0	0	2	64	2	77	1	40	0	0	5	181	36.2
Class III	0	0	2	45	1	27	1	30	1	37	0	0	0	0	5	139	27.8
Class IV	0	0	0	20	2	57	0	0	1	36	0	0	0	0	4	113	28.3
Class V	0	0	0	0	0	27	0	0	0	0	0	0	0	0	1	27	27.0
Class VI	0	0	0	0	0	0	0	0	0	0	0	0	0	0	0	0	0
TOTAL	2	32	6	132	9	251	15	482	20	743	11	457	6	318	69	2,415	35.0

Table 79

Type of School	Status								Total Number of Teachers
	Permanent				Visitors				
	Religious		Lay		Religious		Lay		
	Males	Females	Males	Females	Males	Females	Males	Females	
All Schools	156	314	31	200	43	14	49	45	852
Nursery	-	3	-	3	-	-	-	-	6
Infants	-	-	1	5	-	-	-	-	6
Primary	10	-	-	-	-	-	4	-	14
Secondary	53	-	6	-	15	-	11	-	85
Nursery/Infants	3	102	-	21	-	3	-	11	140
Nursery/Infants/Primary	1	25	-	21	-	-	-	2	49
Infants/Primary	-	16	-	2	-	4	-	-	22
Infants/Primary/Secondary	28	74	5	100	5	2	13	23	250
Primary/Secondary	60	-	18	2	21	-	21	-	122
Nursery/Infants/Prim./Sec.	1	94	1	46	2	5	-	9	158

NUMBER OF SCHOOLS, PREMISES, ROOMS, CLASSROOMS, ETC.: 1964/65

Table 80.

Type of School	Number of Schools	Number of Premises	Classrooms	Workshops	Needlework and Domestic Science Rooms	Laboratories	Offices	Staffrooms	Storerooms	Other Rooms	Total Number of Rooms
MALTESE ISLANDS	82	86	628	12	5	15	86	48	45	1700	1,999
MALTA	77	81	606	12	5	15	82	48	45	1664	1,977
GOZO	5	5	22	-	-	-	4	-	-	6	32
M A L T A:											
Nursery	4	5	5	-	-	-	1	-	-	1	7
Infants	5	4	5	-	-	-	1	-	-	8	15
Primary	3	3	15	-	-	-	3	1	1	3	24
Secondary	5	6	43	1	-	2	13	4	8	10	81
Nursery/Infants	33	44	118	-	-	-	12	3	4	18	155
Nursery/Infants/Primary	5	7	38	-	-	-	5	3	3	13	63
Infants/Primary	2	3	19	-	-	-	4	1	2	2	29
Infants/Primary/Secondary	9	2	181	3	2	8	19	19	12	64	308
Primary/Secondary	4	5	55	7	-	4	12	6	9	17	110
Nursery/Infants/Prim./Sec.	7	2	127	-	1	1	12	10	6	28	195
G O Z O:											
Nursery/Infants	3	3	10	-	-	-	1	-	-	2	13
Primary/Secondary	1	1	6	-	-	-	2	-	-	4	12
Nursery/Infants/Prim./Sec.	1	1	6	-	-	-	1	-	-	-	7

# INDUSTRIAL TRAINING CENTRES

TEACHERS, TRAINEES AND NUMBER OF COURSES: 1964/65.

Table 81.

Name of Centre	Number of Instructors	Number of Trainees	Total Number of Courses
Government Industrial Training Centre - Marsa	15	225	15
Government Industrial Training Centre - Gozo	4	35	2
<b>TOTAL</b>	19	260	17

NUMBER OF TRAINEES ENROLLED AND DESIGNATION AND DURATION OF COURSE: 1964/65

Table 82.

Designation of Course	Date of Commencement of Course	Duration of Course	Number of Trainees
Industrial Training Centre - Marsa			
Motor vehicle fitting	September, 1964	2 years	16
Engine fitting	September, 1964	2 years	16
Cabinet making	September, 1964	2 years	18
Electrical fitting (1st year)	September, 1963	2 years	16
Electrical fitting (2nd year)	September, 1964	2 years	16
Painting and decorating	September, 1964	2 years	15
Plastering and tile laying	September, 1964	2 years	6
Carpentry and joinery	September, 1964	2 years	16
Plumbing	September, 1963	2 years	15
Bench fitting (1st year)	September, 1963	2 years	15
Bench fitting (2nd year)	September, 1964	2 years	15
Motor mechanics	September, 1964	10 months	15
Sheet metal and panel beating	September, 1964	10 months	12
Woodwork	September, 1964	10 months	17
Welding/Blacksmithing	September, 1964	10 months	17
Industrial Training Centre - Gozo			
Motor mechanics	September, 1963	2 years	19
Woodwork	October, 1963	2 years	16

# INDUSTRIAL TRAINING CENTRES

TRAINEES BY AGE AND BY DESIGNATION OF COURSE: 1964/65

Table 83.

Designation of Course	Age										Total	%
	15	16	17	18	19	20	21	22	23 & Over			
<b>TOTAL BOTH CENTRES</b>	7	28	31	76	65	40	3	2	8	260	100.0	
<b>Industrial Training Centre - Marsa</b>												
<b>TOTAL</b>	-	15	23	71	63	40	3	2	8	225	86.5	
Electrical Fitting (1st year)	-	-	-	7	5	4	-	-	-	16	6.1	
Motor Vehicle Fitting	-	-	1	6	5	4	-	-	-	16	6.1	
Engine Fitting	-	-	-	5	8	3	-	-	-	16	6.1	
Cabinet Making	-	-	2	10	2	2	2	-	-	18	6.9	
Electrical Fitting (2nd year)	-	5	9	1	1	-	-	-	-	16	6.1	
Painting and Decorating	-	-	-	13	2	-	-	-	-	15	5.8	
Plastering and Tile Laying	-	-	-	5	1	-	-	-	-	6	2.3	
Carpentry and Joinery	-	-	-	5	9	2	-	-	-	16	6.1	
Plumbing	-	5	8	2	-	-	-	-	-	15	5.8	
Bench Fitting (1st year)	-	-	-	10	2	3	-	-	-	15	5.8	
Bench Fitting (2nd year)	-	5	3	6	1	-	-	-	-	15	5.8	
Motor Mechanics	-	-	-	-	7	5	1	-	2	15	5.8	
Sheet Metal and Panel Beating	-	-	-	1	7	3	-	-	1	12	4.6	
Woodwork	-	-	-	-	11	4	-	1	1	17	6.6	
Welding/Blacksmithing	-	-	-	-	2	10	-	1	4	17	6.6	
<b>Industrial Training Centre - Gozo</b>												
<b>TOTAL</b>	7	13	8	5	2	-	-	-	-	35	13.5	
Woodwork	4	8	3	1	-	-	-	-	-	16	6.2	
Motor Mechanics	3	5	5	4	2	-	-	-	-	19	7.3	

TRAINEES BY PRE-ADMISSION QUALIFICATIONS: 1964/65

Table 84.

Designation of Course	Educational qualifications on admission - Number of trainees reaching			Total Number of Trainees
	IV or Higher Std. of the Primary School	Secondary/ Technical Standard	Below IV Std. of the Primary School	
<b>Industrial Training Centre - Marsa</b>				
<b>TOTAL</b>	225	-	-	225
Electrical Fitting (1st year)	16	-	-	16
Motor Vehicle Fitting	16	-	-	16
Engine Fitting	16	-	-	16
Cabinet Making	18	-	-	18
Electrical Fitting (2nd year)	16	-	-	16
Painting and Decorating	15	-	-	15
Plastering and Tile Laying	6	-	-	6
Carpentry and Joinery	16	-	-	16
Plumbing	15	-	-	15
Bench Fitting (1st year)	15	-	-	15
Bench Fitting (2nd year)	15	-	-	15
Motor Mechanics	15	-	-	15
Sheet Metal and Panel Beating	12	-	-	12
Woodwork	17	-	-	17
Welding/Blacksmithing	17	-	-	17
<b>Industrial Training Centre - Gozo</b>				
<b>TOTAL</b>	35	-	-	35
Motor Mechanics	19	-	-	19
Woodwork	16	-	-	16

INDUSTRIAL TRAINING CENTRES

TRAINEES WHO LEFT CENTRES CLASSIFIED BY AGE AND CAUSE OF LEAVING: 1964/65

Table 85.

Cause of Leaving	Age									Total by Cause
	15	16	17	18	19	20	21	22	23 & Over	
TOTAL BOTH SCHOOLS	-	1	6	71	62	40	4	2	9	195
Industrial Training Centre - Malta										
Completed Course	-	-	2	47	52	32	2	2	9	146
Did not complete course	-	-	-	15	10	8	2	-	-	35
TOTAL	-	-	2	62	62	40	4	2	9	181
Industrial Training Centre - Gozo										
Completed Course	-	1	3	9	-	-	-	-	-	13
Did not complete course	-	-	1	-	-	-	-	-	-	1
TOTAL	-	1	4	9	-	-	-	-	-	14

WEEKLY ALLOWANCES TO TRAINEES CLASSIFIED BY DESIGNATION OF COURSE: 1964/65

Table 86.

Designation of Course	Number of trainees receiving the following weekly allowances -									Total Number of Trainees
	Under 10/-	10/-	15/-	20/-	25/-	30/-	35/-	40/-	45/-	
TOTAL	-	9	20	55	59	48	48	21	-	260
Electrical Fitting (1st year)	-	-	-	-	4	8	3	1	-	16
Motor Vehicle Fitting	-	-	-	6	5	4	1	-	-	16
Engine Fitting	-	-	-	5	8	3	-	-	-	16
Cabinet Making	-	-	-	-	12	2	2	2	-	18
Electrical Fitting (2nd year)	-	-	-	7	5	4	-	-	-	16
Painting and Decorating	-	-	-	13	2	-	-	-	-	15
Plastering and Tile Laying	-	-	-	5	1	-	-	-	-	6
Carpentry and Joinery	-	-	-	-	5	9	2	-	-	16
Plumbing	-	-	-	-	8	5	2	-	-	15
Bench Fitting (1st year)	-	-	-	-	6	8	1	-	-	15
Bench Fitting (2nd year)	-	-	-	13	2	-	-	-	-	15
Motor Mechanics (Malta)	-	-	-	-	-	3	11	1	-	15
Sheet Metal and Panel Beating	-	-	-	1	-	-	9	2	-	12
Woodwork (Malta)	-	-	-	-	-	2	10	5	-	17
Welding/Blacksmithing	-	-	-	-	-	-	7	10	-	17
Woodwork (Gozo)	-	3	10	2	1	-	-	-	-	16
Motor Mechanics (Gozo)	-	6	10	3	-	-	-	-	-	19

# EVENING CLASSES

TEACHERS AND STUDENTS IN EVENING CLASSES CLASSIFIED BY SCHOOL AND SEX: 1964/65

Table 87.

School	Teachers			Students *		
	Total	Males	Females	Total	Males	Females
MALTESE ISLANDS	202	141	61	6,053	3,204	2,849
MALTA:	188	135	53	5,529	3,081	2,448
M.C.A.S.T., Msida	22	22	-	650	650	-
Radio and Television Centre, Valletta	9	9	-	145	145	-
Government Centre, Valletta	2	2	-	29	29	-
Radio and Industrial Chemistry Centre, Floriana	4	4	-	92	74	18
Knightshall, Valletta (Electroplating Class)	-	-	-	-	-	-
Government dress-making classes	46	-	46	1,559	-	1,559
Government Tailoring School, Paola	8	3	5	319	65	254
School of Art	7	7	-	311	201	110
Government Printing Office (Linotype Class)	4	4	-	32	32	-
Technical School, Hamrun	16	16	-	301	301	-
Woodcraft Centres	21	21	-	481	481	-
Lyceum Evening Classes	14	13	1	539	360	179
Government Industrial Training Centre, Marsa	14	14	-	326	326	-
Secondary Technical School, Paola	7	7	-	138	78	60
New School, Floriana	13	13	-	563	316	247
Girls' Secondary Technical Hamrun	1	-	1	44	23	21
GOZO:	14	6	8	524	123	401
Lyceum Evening Classes	6	6	-	181	123	58
Dress-making Classes	8	-	8	343	-	343

\* A student enrolled for two subjects is counted as two students; if enrolled for three subjects as three students, etc.

## STUDENTS\* IN EVENING CLASSES CLASSIFIED BY SCHOOL, SUBJECT TAUGHT AND LENGTH OF COURSE: 1964/65

Table 88.

Subject	Duration of course (in years)	Number of Students *			Total	Hours per week		
		1st Year	2nd Year	3rd Year		1st Year	2nd Year	3rd Year
<b>M.C.A.S.T. MSIDA:</b>								
Accounts	2	44	-	-	44	2.0	-	-
Accounts	2	61	-	-	61	1.5	-	-
Accounts II	2	-	12	-	12	-	1.5	-
Commerce	2	44	-	-	44	2.0	-	-
Economics	2	-	12	-	12	-	1.5	-
Economic Geography	2	44	-	-	44	2.0	-	-
Economic Geography	2	61	-	-	61	1.5	-	-
Economic History	2	61	-	-	61	1.5	-	-
English	2	44	-	-	44	2.0	-	-
English	2	-	12	-	12	-	1.5	-
Mathematics	2	-	-	5	5	-	-	1.5
Physics	2	-	-	5	5	-	-	1.5
French	2	61	-	-	61	1.5	-	-
Italian	2	61	-	-	61	1.5	-	-
Law	2	-	12	-	12	-	1.5	-
Electrical Engineering	2	-	-	5	5	-	-	5.0
Mechanical Engineering Science	20 weeks	43	-	-	43	4.0	-	-
Engineering Drawing	20 weeks	43	-	-	43	4.0	-	-
Mechanics of Fluids	4	-	-	5 *	5	-	-	1.5
Strength of Materials	4	-	-	5 *	5	-	-	1.5
Theory of Machines	4	-	-	5 *	5	-	-	1.5
Thermodynamics	4	-	-	5 *	5	-	-	1.5
<b>PAOLA SECONDARY TECHNICAL SCHOOL:</b>								
Mathematics (Ordinary Level)	1	18	-	-	18	2.5	-	-
Mathematics (Pure)	3	22	4	-	26	2.5	2.5	-
Mathematics (Applied)	3	-	4	-	4	-	2.5	-
Physics (O.L.)	1	25	-	-	25	2.5	-	-
English (O.L.)	1	26	-	-	26	2.5	-	-
Physics (Adv. Level)	3	-	18	-	18	-	2.5	-
Chemistry (O.L.)	1	21	-	-	21	2.5	-	-
<b>TAILORING SCHOOL:</b>								
Dress Making	5	77	83	94 *	254	4.0	4.0	4.0
Men's Tailoring	5	21	17	27 *	65	4.0	4.0	4.0
<b>KAMRUN TECHNICAL SCHOOL:</b>								
Armature Winding	10 Months	28	-	-	28	4.0	-	-
Electrical Engineering	3	16	9	13	38	4.0	4.0	4.0
Mechanical Engineering	3	28	14	16	58	4.0	4.0	4.0
Electrical Installation	2	31	21	-	52	4.0	4.0	-
Electrical Motor Drivers	2	-	-	-	-	-	-	-
Welding	10 Months	41	-	-	41	5.0	-	-
Steam and Diesel Engineering	1	13	-	-	13	4.0	-	-
Plant Engineering	-	10	-	-	10	4.0	-	-
Quantity Surveying	5	-	-	-	-	-	-	-
Mathematics	2	23	27	11	61	4.0	4.0	4.0
<b>LYCEUM, VALLETTA:</b>								
Typewriting	2	53	12	-	65	2.5	2.5	-
Shorthand	2	52	33	-	85	2.5	2.5	-
Book-keeping	2	27	7	-	34	2.5	2.5	-
Arithmetic	1	15	-	-	15	2.5	-	-
Mathematics	1	30	-	-	30	2.5	-	-
English (O.L.)	3	20	28	56	104	2.5	2.5	2.5
English (Adv. Level)	1	12	-	-	12	2.5	-	-
Italian	3	33	30	26	89	2.5	2.5	2.5
French	3	15	-	14	29	2.5	-	2.5
German	2	53	23	-	76	2.5	2.5	-
Spanish	-	-	-	-	-	-	-	-

\* A student enrolled for two subjects is counted as two students; if enrolled for three subjects as three students, etc.



**EVENING CLASSES**

STUDENTS IN EVENING CLASSES CLASSIFIED BY SCHOOL, SUBJECT TAUGHT AND LENGTH OF COURSE: 1964/65

Table 88. (Contd.)

Subject	Duration of course (in years)	Number of Students			Total	Hours per week		
		1st Year	2nd Year	3rd Year		1st Year	2nd Year	3rd Year
<b>LYCEUM, GOZO:</b>								
Mathematics	1	11	-	-	11	2.5	-	-
French	-	-	-	-	-	-	-	-
English	1	53	-	-	53	2.5	-	-
Electrical Installation	1	13	-	-	13	4.0	-	-
Electrical Engineering	3	-	-	11	11	-	-	4.0
Motor Mechanics	-	-	-	-	-	-	-	-
German	2	10	-	-	10	2.5	-	-
Poultry Breeding	3 Months	14	-	-	14	4.0	-	-
<b>Revision Series:</b>								
English	3 Months	44	-	-	44	2.5	-	-
French	"	14	-	-	14	2.5	-	-
Mathematics	"	11	-	-	11	2.5	-	-
<b>GOVT. CENTRE VALLETTA:</b>								
Marine Radio Officers	4	16	-	-	16	10.0	-	-
Navigation	2	13	-	-	13	10.0	-	-
<b>INDUSTRIAL TRAINING CENTRE, MARSA:</b>								
Motor Mechanics	10 Months	117	-	-	117	5.0	-	-
Diesel Mechanics	"	33	-	-	33	5.0	-	-
Welding	"	28	-	-	28	5.0	-	-
Electrical Installation	"	60	-	-	60	6.0	-	-
Plumbing	"	29	-	-	29	5.0	-	-
Fitting and Machining	"	35	-	-	35	5.0	-	-
Panel Beating	"	24	-	-	24	5.0	-	-
<b>R.I.C.C., FLORIANA:</b>								
Visual Signalling	-	-	-	-	-	-	-	-
Photography	10 Months	33	-	-	33	4.0	-	-
Ground Radio Operators	2	12	8	-	20	4.0	4.0	-
Assistant Apothecary (Compounder)	2	21	18	-	39	4.0	6.0	-
Theory of Printing	-	-	-	-	-	-	-	-
<b>KNIGHTSHALL, VALLETTA:</b>								
Electroplating	-	-	-	-	-	-	-	-
<b>SCHOOL OF ART, VALLETTA:</b>								
Carving	2	31	-	-	31	15.0	-	-
Decorative Art	1	14	-	-	14	15.0	-	-
Painting	2	44	-	-	44	15.0	-	-
Modelling	2	23	-	-	23	15.0	-	-
Drawing	1	139	-	-	139	15.0	-	-
History of Art	2	30	30	-	60	4.0	4.0	-
<b>PRINTING OFFICE, VALLETTA:</b>								
Linotyping	1	24	-	-	24	2.0	-	-
Menotyping	1	8	-	-	8	2.0	-	-

EVENING CLASSES

STUDENTS IN EVENING CLASSES CLASSIFIED BY SCHOOL, SUBJECT TAUGHT, AND LENGTH OF COURSE: 1964/65

Table 88. (Contd.)

Subject	Duration of course (in years)	Number of Students			Total	Hours per week		
		1st Year	2nd Year	3rd Year		1st Year	2nd Year	3rd Year
<b>RADIO AND TELEVISION CENTRE, VALLETTA:</b>								
Radio Engineering	3	60	41	9	110	4.0	4.0	4.0
Television	1	-	-	11	11	-	-	4.0
Telecommunications	3	13	9	2	24	4	4	4.0
<b>NEW SCHOOL, FLORIANA:</b>								
Watch Repairing	2	8	-	-	8	4.0	-	-
Quantity Surveying	3	-	-	3	3	-	-	4.0
Special G.C.E. Revision Courses	3	485	-	-	485	2.5	-	-
Poultry	3 Months	43	-	-	43	4.0	-	-
Pig Husbandry	"	24	-	-	24	4.0	-	-
<b>GIRLS' SEC. TECHNICAL HAMRUN:</b>								
Typewriting	1	44	-	-	44	2.0	-	-
<b>WOODCRAFT CENTRES:</b>								
Woodwork	10 Months	481	-	-	481	5.0	-	-
<b>DRESSMAKING CLASSES:</b>								
Malta	3	748	579	232	1,559	4.0	4.0	4.0
Gozo	3	166	109	68	343	4.0	4.0	4.0
<b>TOTAL</b>	-	<b>4,253</b>	<b>1,122</b>	<b>628</b>	<b>6,053</b>	-	-	-

PHYSICALLY-HANDICAPPED PERSONS RECEIVING FULL-TIME EDUCATION ANALYSED BY TYPE OF INFIRMITY, SEX AND AGE: 1964/65

Table 89.

Age-Group	All Handicaps				Deaf and Part Deaf				Mentally Handicapped				Blind				Educationally sub-normal	
	Males		Females		Males		Females		Males		Females		Males		Females		Males	
	No.	%	No.	%	No.	%	No.	%	No.	%	No.	%	No.	%	No.	%	No.	%
All Ages	154	100.0	60	100.0	21	100.0	20	100.0	54	100.0	35	100.0	22	100.0	5	100.0	57	100.0
Under 5 years	-	-	3	5.0	-	-	3	15.0	-	-	-	-	-	-	-	-	-	-
5 - 9 years	29	18.8	14	23.3	7	33.8	6	30.0	6	11.1	8	22.9	-	-	-	-	16	28.1
10 - 14 years	82	53.2	28	46.7	13	61.9	11	55.0	26	48.1	16	45.7	3	13.6	1	20.0	40	70.2
15 - 24 years	27	18.8	13	21.7	1	4.8	-	-	21	38.9	11	31.4	4	18.2	2	40.0	1	1.7
25 - 44 years	7	4.5	-	-	-	-	-	-	1.9	-	-	6	27.3	-	-	-	-	
45 and over	9	4.7	2	3.3	-	-	-	-	-	-	-	9	40.9	2	40.0	-	-	

NUMBER OF PREMISES AND TEACHERS CLASSIFIED BY SCHOOL: 1964/65

Table 90.

School	Number of Premises		Number of Classes	Teachers	
	Government - Owned	Privately - Owned		Males	Females
School for Mentally Handicapped - Qormi-Road	1	-	4	-	5
School for Mentally Handicapped - Wardija	1	-	4	3	2
E.S.N. Children's Unit - Gzira	1	-	4	3	1
Deaf Children's Unit - Pieta	1	-	6	2	4
Centre for the Blind - St. Venera	-	1	4	4	-
Class for Blind Children - Floriana	1	-	1	-	1
<b>TOTAL</b>	<b>5</b>	<b>1</b>	<b>23</b>	<b>12</b>	<b>13</b>

## NUMBER OF STUDENTS AND COURSES CLASSIFIED BY SEX ON 1ST OCTOBER 1956 - 64

Table 91.

	1956	1957	1958	1959	1960	1961	1962	1963	1964
<b>REGULAR STUDENTS</b>									
Total	298	300	208	203	234	235	326	433	547
Men	272	271	194	191	215	216	289	364	447
Women	26	29	14	12	19	19	37	69	100
<b>NUMBER OF EXTRA COURSES (INVOLVING SEPARATE LECTURES)</b>									
Total	61	27	-	16	12	6	15	15	19
Men	57	25	-	16	12	6	15	15	19
Women	4	2	-	-	-	-	-	-	-
<b>MAN COURSES (INVOLVING SEPARATE LECTURES)</b>									
Total	359	327	208	219	246	241	341	448	566
Men	329	296	194	207	227	222	304	379	466
Women	30	31	14	12	19	19	37	69	100
<b>NUMBER OF EXTRA COURSES (NOT INVOLVING SEPARATE LECTURES)</b>									
Total	16	-	-	-	-	-	-	-	-
Men	16	-	-	-	-	-	-	-	-
Women	-	-	-	-	-	-	-	-	-
<b>OCCASIONAL STUDENTS</b>									
Total	32	38	42	43	62	62	67	46	50
Men	32	32	37	40	55	59	61	43	48
Women	-	6	5	3	7	3	6	3	2
<b>TOTAL STUDENTS (REGULAR AND OCCASIONAL)</b>									
Total	330	338	250	246	296	297	393	479	597
Men	304	303	231	231	270	275	350	407	495
Women	26	35	19	15	26	22	43	72	102
<b>TOTAL MAN-COURSES (INCLUDING OCCASIONAL STUDENTS AND EXTRA COURSES INVOLVING SEPARATE LECTURES)</b>									
Total	391	365	250	262	308	303	408	494	616
Men	361	318	231	247	282	281	365	422	514
Women	30	37	19	15	26	22	43	72	102

Sources: Royal University of Malta

Table 92.

	1956	1957	1958	1959	1960	1961	1962	1963	1964
<b>THEOLOGY</b>									
Total	51	35	35	32	21	26	26	20	19
Men	51	35	35	32	21	26	26	20	19
Women	-	-	-	-	-	-	-	-	-
<b>LAWS (including L.P.)</b>									
Total	50	38	10	20	14	7	15	13	17
Men	48	36	10	20	14	7	15	13	17
Women	2	2	-	-	-	-	-	-	-
<b>MEDICINE AND SURGERY</b>									
Total	105	89	42	71	66	33	60	63	65
Men	97	83	40	67	62	31	58	61	60
Women	8	6	2	4	4	2	2	2	5
<b>ENGINEERING AND ARCHITECTURE</b>									
Total	25	25	8	11	10	1	4	9	15
Men	24	24	7	10	9	1	4	9	15
Women	1	1	1	1	1	-	-	-	-
<b>DENTAL SURGERY</b>									
Total	13	9	10	12	4	5	5	-	2
Men	12	8	9	11	4	5	5	-	1
Women	1	1	1	1	-	-	-	-	1
<b>ARTS (including Education and Public Administration)</b>									
Total	38	46	48	38	39	70	75	132	213
Men	38	46	47	37	37	61	63	109	171
Women	-	-	1	1	2	9	12	23	42
<b>SCIENCE (Including Pharmacy)</b>									
Total	16	58	55	19	80	93	141	196	216
Men	2	39	46	14	68	85	118	152	164
Women	14	19	9	5	12	8	23	44	52
Total Regular	298	300	208	203	234	235	326	433	547
Total Men	272	271	194	191	215	216	289	364	447
Total Women	26	29	14	12	19	19	37	69	100

\* Note: Students registered for two or more courses concurrently are shown in the senior course as follows:-

- (1) Students registered for Lic.D. and B.A. or InterArts are shown under 'Theology'
- (2) Students registered for LL.D. and B.A. are shown under 'Laws'
- (3) Students registered for M.D. and B.Sc. and/or B.Pharm. are shown under 'Medicine' and 'Surgery'
- (4) Students registered for a degree in Engineering and Architecture and B.Sc. are shown under 'Engineering and Architecture'
- (5) Students registered for Inter Arts or B.A. and L.P. are shown under 'Arts'
- (6) Students registered for B.Ch.D. and B.Pharm. are shown under 'Dental Surgery'

Source: Royal University of Malta

ADMISSION OF REGULAR STUDENTS DURING THE ACADEMIC YEARS: 1962/63 - 1964/65

Table 93.

Date of Entrance	1962/63			1963/64			1964/65		
	M	W	T	M	W	T	M	W	T
PRELIMINARY COURSE OF ARTS AND B.A. PART I - 1ST YEAR									
On 1st October	24	5	29	28	11	39	112	26	138
During Year	1	-	1	-	-	-	1	1	2
Total Arts	25	5	30	28	11	39	113	27	140
PRELIMINARY COURSE OF SCIENCE AND B.A. PART I - 1ST YEAR									
On 1st October	63	17	80	61	25	86	90	24	114
During Year	7	-	7	-	-	-	4	-	4
Total Science	70	17	87	61	25	86	94	24	118
Total Arts and Science	95	22	117	89	36	125	207	51	258

Source: Royal University of Malta

Table 94.

	1956			1957			1958			1959			1960			1961			1962			1963			1964		
	M	W	T	M	W	T	M	W	T	M	W	T	M	W	T	M	W	T	M	W	T	M	W	T	M	W	T
<b>THEOLOGY</b>																											
Inter I																2	-	2	3	-	3	7	-	7			
II	21	-	21							7	-	7				4	-	4	2	-	2	3	-	3	6	-	6
III				18	-	18							6	-	6				4	-	4	2	-	2	3	-	3
Final I							17	-	17							5	-	5				3	-	3	2	-	2
II	18	-	18							15	-	15							5	-	5				3	-	3
III				17	-	17							15	-	15							5	-	5			
IV							17	-	17							15	-	15									
V	12	-	12				1	-	1	10	-	10							12	-	12						
TOTAL	51	-	51	35	-	35	35	-	35	32	-	32	21	-	21	26	-	26	26	-	26	20	-	20	19	-	19
<b>LAWS</b>																											
I	17	1	18							8	-	8							7	-	7				11	-	11
II				10	1	11							7	-	7							6	-	6			
III							7	-	7							6	-	6							5	-	5
IV	27	1	28							7	-	7							6	-	6						
V				26	1	27							7	-	7							6	-	6			
TOTAL	44	2	46	36	2	38	7	-	7	15	-	15	14	-	14	6	-	6	13	-	13	12	-	12	16	-	16
<b>NOTARY PUBLIC</b>																											
I																											
II																											
III																											
IV	16	-	16																								
TOTAL	16	-	16																								
<b>LEGAL PROCURATORS</b>																											
I							3	-	3							1	-	1				1	-	1			
II	19	1	20							5	-	5							2	-	2				1	-	1
TOTAL	19	1	20				3	-	3	5	-	5				1	-	1	2	-	2	1	-	1	1	-	1
<b>MEDICINE AND SURGERY</b>																											
Inter I	56	4	60							36	3	39							30	1	31				30	4	34
II				42	2	44							34	3	37							33	1	34			
Final I							39	2	41							31	2	33							30	1	31
II	41	4	45							31	1	32							28	1	29						
III				41	4	45							28	1	29							28	1	29			
TOTAL	97	8	105	83	6	89	39	2	41	67	4	71	62	4	66	31	2	33	58	2	60	61	2	63	60	5	65
<b>ENGINEERING &amp; ARCH.</b>																											
Inter I																											
II																											
Final I																											
II																											
III																											
TOTAL																											
<b>ARCHITECTURE</b>																											
Inter I	6	1	7							1	-	1							2	-	2				7	-	7
II				5	1	6							1	-	1							2	-	2			
Final I							5	1	6							1	-	1							2	-	2
II	12	-	12							3	1	4							1	-	1						
III				13	-	13							5	1	6							1	-	1			
TOTAL	18	1	19	18	1	19	5	1	6	6	1	7	6	1	7	1	-	1	3	-	3	3	-	3	9	-	9

## STUDENT NUMBERS ON 1ST OCTOBER 1956/1964, CLASSIFICATION BY FACULTIES

Table 94. (Contd.)

	1956			1957			1958			1959			1960			1961			1962			1963			1964					
	M	W	T	M	W	T	M	W	T	M	W	T	M	W	T	M	W	T	M	W	T	M	W	T	M	W	T			
<b>B.Sc. (ENGINEERING)</b>																														
Part I																														
Part II																					6	-	6	6	-	6				
<b>TOTAL</b>																					6	-	6	6	-	6				
<b>ENGINEERING</b>																														
Inter I	2	-	2						2	-	2									1	-	1								
II				2	-	2								1	-	1														
Final I							2	-	2																					
II	4	-	4						2	-	2																			
III				4	-	4							2	-	2															
<b>TOTAL</b>	6	-	6	6	-	6	2	-	2	4	-	4	3	-	3					1	-	1								
<b>DENTAL SURGERY</b>																														
Inter I	8	1	9						4	-	4													1	-	1				
II				8	1	9						4	-	4																
Final I							9	1	10							5	-	5								-	1	1		
II	4	-	4						7	1	8							5	-	5										
<b>TOTAL</b>	12	1	13	8	1	9	9	1	10	11	1	12	4	-	4	5	-	5	5	-	5							1	1	2
<b>ARTS</b>																														
Inter/Prel. I				16	-	16				8	-	8	1	1	2	1	-	1	24	5	29	28	11	39	112	26	138			
II							20	1	21				9	-	9	39	9	48	8	-	8	29	5	34	24	10	34			
Final (G) I	24	1	25							14	1	15				7	-	7	30	6	36	9	-	9	16	2	18			
II				18	1	19							12	1	13				7	-	7	30	6	36	9	-	9			
(H) I	5	-	5													2	-	2	7	1	8	2	-	2	7	4	11			
II				4	-	4													2	-	2	7	1	8	2	-	2			
<b>M.A.</b>																														
<b>TOTAL</b>	29	1	30	38	1	39	20	1	21	22	1	23	22	2	24	49	9	58	78	12	90	105	23	128	177	42	219			
<b>SCIENCE</b>																														
Inter/Prel. I				36	7	43				10	2	12	39	5	44	34	4	38	63	17	80	61	25	86	90	24	114			
II							46	9	55				24	4	28	49	4	53	40	2	42	74	14	88	63	21	84			
Final I	14	2	16							3	-	3				2	-	2	7	-	7	3	1	4	5	3	8			
II				4	1	5							2	-	2				2	-	2	7	-	7	2	1	3			
<b>M.Sc.</b>																														
<b>TOTAL</b>	14	2	16	40	8	48	46	9	55	13	2	15	65	9	74	85	8	93	112	19	131	146	40	186	160	49	209			
<b>PHARMACY</b>																														
I	2	14	16							4	3	7							6	4	10				4	3	7			
II				2	12	14							4	3	7							6	4	10						
<b>TOTAL</b>	2	14	16	2	12	14				4	3	7	4	3	7				6	4	10	6	4	10	4	3	7			
<b>OTHER COURSES (D.P.A.)</b>	37	-	37	30	-	30	27	-	27	28	-	28	25	-	25	18	-	18				19	-	19	13	-	13			

Source: Royal University of Malta



AGE CLASSIFICATION OF FRESHMEN ADMITTED DURING THE ACADEMIC YEARS 1962/63, 1963/64, 1964/65

Table 95.

Age last Birthday	Number of Students		
	1962/63	1963/64	1964/65
14	10	4	-
15	24	14	-
16	31	38	56
17	23	29	48
18	19	23	48
19	5	9	20
20	1	5	11
21	1	2	7
22	1	-	7
23	-	1	8
Over 23	2	-	53
<b>TOTAL</b>	<b>117</b>	<b>125</b>	<b>258</b>

Source: Royal University of Malta.

DEGREES CONFERRED: 1956/57 - 1964/65

Table 96.

	Theology			Law		Medicine and Surgery		Dental Surgery	Engineering & Architecture			Arts		Science				
	D.D.	Lic.D.	B.D.	LL.D.		M.D.		B.Ch.D.	B.E. & A	B. Arch.		B.Eng.	B.A.		B.Sc.		B.Pharm.	
	M.	M.	M.	M.	W.	M.	W.	M.	M.	M.	W.	M.	M.	W.	M.	W.	M.	W.
1956/57	-	11	-	-	-	1	1	-	1	-	-	-	1	-	2	-	2	-
1957/58	-	-	14	-	-	-	1	4	-	-	-	-	-	-	-	-	-	-
1958/59	-	-	2	23	1	29	4	-	-	13	-	4	20	1	1	1	3	9
1959/60	1	9	1	1	-	2	-	-	-	-	-	-	-	-	-	-	-	1
1960/61	3	4	15	7	-	-	-	7	-	-	-	-	-	-	-	-	-	-
1961/62	-	1	-	7	-	25	1	-	-	5	1	2	11	1	2	-	4	3
1962/63	-	15	-	-	-	3	-	-	-	-	-	-	1	-	-	-	-	-
1963/64	-	-	5	-	-	-	-	5	-	-	-	-	9	-	2	-	-	-
1964/65	1	-	-	6	-	26	1	-	-	1	-	-	35	7	3	-	5	4

Source: Royal University of Malta

NUMBER OF REGULAR STUDENTS AND CASUALTIES DURING THE ACADEMIC YEARS 1956/57 - 1963/64

Table 98.

	1956/57			1957/58			1958/59			1959/60			1960/61			1961/62			1962/63			1963/64		
	Stud.		Cas.	Stud.		Cas.	Stud.		Cas.	Stud.		Cas.	Stud.		Cas.	Stud.		Cas.	Stud.		Cas.	Stud.		Cas.
	No.	No.	%	No.	No.	%	No.	No.	%	No.	No.	%	No.	No.	%	No.	No.	%	No.	No.	%	No.	No.	%
<u>THEOLOGY</u>																								
Inter	21	3	14.3	18	1	5.5	-	-	-	7	1	14.3	6	-	-	6	-	-	9	-	-	12	1	8.3
Final	30	1	3.3	17	-	-	35*	2	5.7	25	-	-	15	-	-	20*	-	-	17*	-	-	8	-	-
<u>LAWS</u>																								
L.P.	20*	-	-	-	-	-	3	-	-	5*	-	-	-	-	-	1	-	-	2*	-	-	1	-	-
Laws I	18	7	38.8	-	-	-	-	-	-	8	1	12.5	-	-	-	-	-	-	7	-	-	-	-	-
Laws Other	28	1	3.6	38*	4	10.5	7	-	-	7	-	-	14*	1	7.1	6	-	-	6	-	-	12*	-	-
N.P.	16*	-	-	-	-	-	-	-	-	-	-	-	-	-	-	-	-	-	-	-	-	-	-	-
<u>MEDICINE AND SURGERY</u>																								
Inter	60	16	26.7	44	6	13.6	-	-	-	39	3	7.7	37	5	13.5	-	-	-	31	4	13.0	34	-	-
Final	45	-	-	45*	-	-	41	9	21.9	32	3	9.4	29*	-	-	33	4	12.1	29	-	-	29*	-	-
<u>DENTAL SURGERY</u>																								
Inter	9	-	-	9	3	33.3	-	-	-	4	-	-	4	-	-	-	-	-	-	-	-	-	-	-
Final	4*	-	-	-	-	-	10	2	20.0	8*	1	12.5	-	-	-	5	-	-	5*	-	-	-	-	-
<u>ENGINEERING AND ARCH.</u>																								
Inter A. & C.E.	-	-	-	-	-	-	-	-	-	-	-	-	-	-	-	-	-	-	-	-	-	-	-	-
Inter Arch.	7	1	14.5	6	-	-	-	-	-	1	-	-	1	-	-	-	-	-	2	-	-	2	-	-
Inter Engin.	2	-	-	2	-	-	-	-	-	2	-	-	1	-	-	-	-	-	1	-	-	-	-	-

PERCENTAGE PROPORTION OF WOMEN STUDENTS TO TOTAL STUDENTS ON 1ST OCTOBER 1956 - 64

Table 97.

Faculties	1956			1957			1958			1959			1960			1961			1962			1963			1964			
	W	T	%	W	T	%	W	T	%	W	T	%	W	T	%	W	T	%	W	T	%	W	T	%	W	T	%	
<u>Theology</u>	-	51	-	-	35	-	-	35	-	-	32	-	-	21	-	-	26	-	-	26	-	-	20	-	-	19	-	
<u>Laws</u>	2	46	4.4	2	28	7.1	-	7	-	-	15	-	-	14	-	-	6	-	-	13	-	-	12	-	-	16	-	
L.P.	1	20	5.0	-	-	-	-	3	-	-	5	-	-	-	-	-	1	-	-	2	-	-	1	-	-	1	-	
<u>Medicine and Surgery</u>	8	105	7.6	6	89	6.7	2	42	4.8	4	71	5.6	4	66	6.1	2	33	6.1	2	60	3.3	2	63	3.2	5	65	7.7	
<u>Engineering and Arch.</u>	1	25	4.0	1	25	4.0	1	8	12.5	1	11	9.1	1	10	10.0	-	1	-	-	4	-	-	9	-	-	15	-	
<u>Dental Surgery</u>	1	13	7.7	1	9	11.1	1	10	10.0	1	12	8.3	-	4	-	-	5	-	-	5	-	-	-	-	-	1	2	50.0
<u>Arts</u>	1	30	3.3	1	39	3.6	2	30	6.7	1	23	4.3	2	24	8.3	9	58	15.5	12	75	16.0	23	128	18.0	42	219	19.2	
Others (D.P.A.)	-	37	-	-	37	-	-	27	-	-	28	-	-	26	-	-	18	-	-	-	-	-	19	-	-	13	-	
<u>Science</u>	2	16	12.5	8	48	16.6	9	55	16.4	2	15	13.3	9	74	12.2	8	93	8.6	19	131	14.5	40	186	21.5	49	209	23.4	
Pharmacy	14	16	87.5	12	14	85.7	-	-	-	3	7	42.9	3	7	42.9	-	-	-	4	10	40.0	4	10	40.0	3	7	42.9	
Total Regular Students	26	298	8.7	29	300	9.7	-	208	-	12	203	5.9	19	233	8.1	19	235	8.1	37	326	11.3	69	433	13.6	100	547	18.3	
Total Man-Courses	30	359	8.4	30	339	8.8	-	-	-	12	219	5.5	19	246	7.7	19	241	7.9	37	341	10.8	69	448	15.4	100	566	17.7	
Total Occasional Students	-	32	-	6	38	15.8	5	42	11.9	3	43	7.0	7	62	11.3	3	62	14.8	6	67	8.9	3	46	6.5	2	50	4.0	

Source: Royal University of Malta

NUMBER OF REGULAR STUDENTS AND CASUALTIES DURING THE ACADEMIC YEARS: 1956/57 - 1963/64

Table 98. (Contd.)

	1956/57			1957/58			1958/59			1959/60			1960/61			1961/62			1962/63			1963/64		
	Stud.		Cas.	Stud.		Cas.	Stud.		Cas.	Stud.		Cas.	Stud.		Cas.	Stud.		Cas.	Stud.		Cas.	Stud.		Cas.
	No.	No.	%	No.	No.	%	No.	No.	%	No.	No.	%	No.	No.	%	No.	No.	%	No.	No.	%	No.	No.	%
<b>ENGINEERING AND ARCHITECTURE</b>																								
Final A. & C.E.	-	-	-	-	-	-	-	-	-	-	-	-	-	-	-	-	-	-	-	-	-	-	-	-
Final Arch.	12	-	-	13*	-	-	6	-	-	6	-	-	6*	-	-	1	-	-	1	-	-	1*	-	-
Final Engineering	4	-	-	4*	-	-	2	-	-	2	-	-	2*	-	-	-	-	-	-	-	-	-	-	-
B.Sc. Engineer	-	-	-	-	-	-	-	-	-	-	-	-	-	-	-	-	-	-	-	-	-	6	-	-
<b>ARTS</b>																								
Inter/Prel.	-	-	-	16	-	-	21	9	42.8	8	1	12.5	11	-	-	49	-	-	37	-	-	73	-	-
Final (Gen.)	25	6	24.0	19*	-	-	-	-	-	15	2	13.3	13*	1	7.7	7	-	-	43*	-	-	45	-	-
Final (Hons.)	5	1	20.0	4*	-	-	-	-	-	-	-	-	-	-	2*	-	-	10*	-	-	10	-	-	
Other Courses	37	-	-	30	3	10	27	1	3.7	28*	-	-	26	3	11.5	18	1	5.5	-	-	19	-	-	
<b>SCIENCE</b>																								
Inter	-	-	-	43	-	-	55	9	16.3	12	-	-	72	8	11.1	91	6	6.6	122	12	14.6	174	-	-
B.Sc.	16	11	68.7	5*	-	-	-	-	-	3	-	-	2*	-	-	2	-	-	9*	2	22.2	11*	1	9.1
M.Sc.	-	-	-	-	-	-	-	-	-	-	-	-	-	-	-	-	-	-	-	-	-	1	-	-
B.Pharm.	16	2	12.5	14*	-	-	-	-	-	7	-	-	7*	-	-	-	-	-	10	2	20.0	10*	-	-
<b>Total Man-Courses</b>	<b>375</b>	<b>49</b>	<b>13.1</b>	<b>47</b>	<b>10</b>	<b>21.2</b>	<b>208</b>	<b>32</b>	<b>15.3</b>	<b>219</b>	<b>12</b>	<b>5.5</b>	<b>246</b>	<b>18</b>	<b>7.3</b>	<b>241</b>	<b>11</b>	<b>4.6</b>	<b>341</b>	<b>20</b>	<b>58.6</b>	<b>448</b>	<b>2</b>	<b>0.5</b>

Note: \* Indicates that a course was completed and that a number of students graduated or were awarded Diplomas

Source: Royal University of Malta

SUMMARY TABLE SHOWING CLASSIFICATION OF TEACHING STAFF FACULTIES: 1956/57 - 1964/65

Table 99.

Faculty	1956/57	1957/58	1958/59	1959/60	1960/61	1961/62	1962/63	1963/64	1964/65
Theology	7	7	7	8	8	8	9	8	8
Laws	9	11	8	8	9	8	7	7	8
Medicine and Surgery	21	22	22	22	22	21	28	26	32
Engin. and Archit.	5	4	5	5	6	6	6	4	7
M.C.A.S.T. Teachers	-	-	-	-	-	-	-	-	11
Dental Surgery	2	3	3	3	2	2	2	3	3
Arts	11	10	10	11	11	10	10	13	16
Science	9	7	6	10	10	11	14	16	22
<b>TOTAL</b>	<b>64</b>	<b>64</b>	<b>61</b>	<b>67</b>	<b>68</b>	<b>66</b>	<b>76</b>	<b>77</b>	<b>107</b>

Source: Royal University of Malta

## MEMBERS OF THE TEACHING STAFF CLASSIFIED BY STATUS: 1956/57 - 1964/65

Table 100.

	1956/57	1957/58	1958/59	1959/60	1960/61	1961/62	1962/63	1963/64	1964/65
Professors	31	27	27	29	31	30	29	26	25
Lecturers	16	18	17	17	21	20	20	26	40
Temporary Lecturers	5	9	8	9	6	8	12	11	12
Temp. Lect./Demonstrators	-	-	-	-	-	-	1	-	-
Assistant Lecturers	-	-	-	-	-	-	2	2	2
M.C.A.S.T. Teachers	-	-	-	-	-	-	-	-	11
Demonstrators	6	6	5	5	5	4	9	8	8
Temporary Demonstrators	6	4	3	7	5	4	3	4	9
<b>TOTAL</b>	<b>64</b>	<b>64</b>	<b>61</b>	<b>67</b>	<b>68</b>	<b>66</b>	<b>76</b>	<b>77</b>	<b>107</b>

Source: Royal University of Malta

## EXEMPTION FROM PAYMENT OF FEES AND ESTIMATED COST: 1956/57 - 1964/65

Table 101.

Year	Total Regular Students Ist. Oct.	Total Applications for Exemption	Exemption Granted				Exemption Not Granted	Cost £
			Full	Three Qtrs.	Half	One Quarter		
1956/57	298	23	11	1	1	-	10	290
1957/58	300	24	11	-	1	-	12	255
1958/59	208	12	10	-	-	-	2	227
1959/60	203	10	5	2	-	-	3	161
1960/61	234	13	5	-	2	-	6	173
1961/62	235	27	10	-	6	-	11	557
1962/63	326	49	14	4	16	1	14	1,065
1963/64	433	46	24	3	1	1	17	1,178
1964/65	547	73	39	4	2	-	28	1,884

Source: Royal University of Malta

Table 102.

	1956/57	1957/58	1958/59	1959/60	1960/61	1961/62	1962/63	1963/64	1964/65
	Actual	Actual	Actual	Actual	Actual	Actual	Actual	Actual	Actual
Balance in hand on 1st October	-a	-x	-629	12,929	15,605	5,716	23,344	29,806	20,365
Revenue:									
Registration and other fees	9,432	10,984	6,618	6,526	10,425	12,156	17,197	20,033	26,850
Government Grant	31,100a	32,253b	74,450c	60,000	86,000	112,000	112,000	112,000	161,000
Expenditure:									
Personal Emoluments	30,778	30,715	53,491	46,490	71,729	78,907	93,231	101,441	123,927
Other Charges	12,601	13,152	14,018	17,360	34,495	27,711	29,503	40,032	48,194
Surplus (+) or Deficit (-)	-2,847	-629	+13,559	+2,676	-9,799	+17,538	+6,462	+20,366	+15,729

BALANCE IN HAND ON 1ST OCTOBER 1956 - 1964 AND REVENUE AND EXPENDITURE  
FOR THE ACADEMIC YEARS 1956/57 - 1964/65

	Thousand £								
1. Balance in hand on 1st October	20.3	-	-	-0.6	12.9	15.6	5.7	23.3	29.8
2. Income	187.8	40.5	43.2	81.0	66.5	96.4	124.2	129.2	132.0
(a) Government Grant	161.0	30.6	32.3	74.5	60.0	86.0	112.0	112.0	112.0
(b) Attendance Fees	20.1	5.6	6.3	3.7	4.4	7.6	9.9	13.6	15.0
(c) Examination Fees	1.1	2.6	3.5	1.9	1.7	2.4	1.5	1.8	2.7
(d) Other Income	5.7	1.7	1.1	0.9	0.4	0.4	0.8	1.8	2.2
3. Expenditure	172.1	43.3	43.9	67.5	63.8	106.2	106.6	122.7	141.5
(a) Personal Emoluments									
Administration	50.4	12.6	13.3	14.1	17.6	22.6	32.7	36.6	41.7
Teaching staff	73.5	18.1	17.4	22.5	28.9	49.1	46.2	56.6	59.7
Bonus to Teaching Staff in lieu of arrears	-	-	-	-	-	-	-	-	-
Arrears of salaries in respect of period 1.10.47 - 30.9.58	-	-	-	16.9	0.3	-	-	-	-
Arrears of salaries in respect of period 1.4.59 to 30.9.60	-	-	-	-	-	15.0	-	-	-
(b) Other Charges	48.2	12.6	13.2	14.0	17.0	19.5	27.7	29.5	40.0

- a. Deficit made good from instalments of Government Grant in respect of October - December 1957 issued by Treasury in advance.
- b. Grant for the academic year 1957/58 inclusive of special grant of £4,000 in March 1958 and exclusive of £2,847 issued by Government out of the instalment in respect of October - December 1957 to cover the previous year's budget.
- c. Inclusive of arrears of increase in rate from 1st April 1958.

SUBSIDIES TO PRIVATE SCHOOLS: 1957/58 - 1964/65

Table 103.

Type of School	1957/58	1958/59	1959/60	1960/61	1961/62	1962/63	1963/64	1964/65
	£	£	£	£	£	£	£	£
Total	1,145	1,120	1,070	1,068	16,745	26,375	29,867*	33,002
Nursery	-	-	-	-	-	-	-	-
Nursery/Infants	45	-	-	-	-	-	-	-
Nursery/Infants/Primary	-	-	-	-	-	-	-	-
Infants/Primary	100	-	-	-	-	-	-	-
Infants/Primary/Secondary	175	-	-	-	-	-	-	-
Primary/Secondary	725	1,120	1,070	1,068	1,145	1,095	1,108	1,095
Nursery/Infants/Primary/Secondary	100	-	-	-	-	-	-	-
Technical	-	-	-	-	-	-	-	-
Secondary	-	-	-	-	15,600	25,280	28,759	31,907

\* A further £1,040 was granted to the Malta Society of Arts, Manufacture and Commerce during 1963/64

Source: Department of Education

ANNUAL COST PER PUPIL: 1958/59 - 1964/65

Table 104.

Type of School	1958/59			1959/60			1960/61			1961/62			1962/63			1963/64			1964/65		
	£.	s.	d.	£.	s.	d.	£.	s.	d.	£.	s.	d.	£.	s.	d.	£.	s.	d.	£.	s.	d.
Lycium/Grammar	29.	7.	1.	33.	15.	7.	40.	-.	-.	56.	18.	0.	62.	8.	7.	61.	15.	3.	54.	8.	9.
Primary	17.	10.	11.	17.	14.	5.	20.	-.	-.	25.	2.	0.	25.	16.	11.	26.	11.	6.	25.	-.	5.
Technical *	61.	4.	9.	66.	13.	0.	80.	-.	-.	107.	4.	0.	82.	2.	5.	64.	4.	2.	70.	8.	1.

\* Based on students attending the Technical Schools and the Apprenticeship School

Source: Department of Education



GOVERNMENT EXPENDITURE ON EDUCATION: 1958/59 - 1963/64

Table 105.

Details  Of  Expenditure #	1959/60			1960/61			1961/62			1962/63			1963/64			1964/65		
	Recurrent		Non-Recurrent	Recurrent		Non-Recurrent	Recurrent		Non-Recurrent	Recurrent		Non-Recurrent	Recurrent		Non-Recurrent	Recurrent		Non-Recurrent
	Personal Emoluments	Other Charges		Personal Emoluments	Other Charges		Personal Emoluments	Other Charges		Personal Emoluments	Other Charges		Personal Emoluments	Other Charges		Personal Emoluments	Other Charges	
OFFICE OF PRIME MINISTER	\$ -	\$ -	\$ -	\$ -	\$ -	\$ -	\$ -	\$ -	\$ -	\$ 1,007	\$ -	\$ -	\$ 1,110	\$ -	\$ -	\$ 1,339	\$ -	\$ -
OFFICE OF THE DIRECTOR	16,303	12,728	-	-	14,083	-	-	19,422	-	23,253	-	-	24,640	-	-	28,839	-	-
Training of Teachers abroad	-	13,818	-	-	11,759	-	-	27,555	-	24,534	-	-	27,864	-	-	29,206	-	-
Youth Service Organization	2,899	95,000	-	-	12,000	-	-	90,168	-	99,620	-	-	94,024	-	-	96,303	-	-
Primary Schools	778,363	86,639	-	-	79,156	-	-	79,221	-	80,331	-	-	95,779	-	-	94,460	-	-
Training of Male Teachers	-	11,457	-	-	12,976	-	-	15,190	-	17,163	-	-	20,859	-	-	21,572	-	-
Training of Female Teachers	-	23,083	-	-	24,225	-	-	28,223	-	32,706	-	-	34,414	-	-	36,114	-	-
Lyceum & other Grammar Schools	93,675	25,326	-	-	28,615	-	-	16,129	-	46,876	-	-	43,830	-	-	19,230	-	-
* Orphanages	-	-	-	-	-	-	-	-	-	-	-	-	-	-	-	-	-	-
TECHNICAL EDUCATION:																		
Office of the Director of Technical Education	5,447	2,594	-	-	1,110	-	-	1,038	-	-	-	-	-	-	-	-	-	-
Technical Schools	69,123	24,837	-	-	39,795	-	-	47,400	-	50,704	-	-	69,415	-	-	72,861	-	-
St. Patrick's School	3,401	9,819	-	-	13,888	-	-	16,270	-	15,082	-	-	16,163	-	-	15,429	-	-
Trade Schools for Tailors	-	587	-	-	587	-	-	593	-	771	-	-	875	-	-	540	-	-

\* Under D.E.J.S.W.

122

School of Arts	1,256	1,322	-	-	1,455	-	-	2,224	-	-	2,433	-	-	2,601	-	-	2,666	-
SPECIAL EXPENDITURE:																		
Education	-	-	4,866	-	4,391	-	-	4,232	-	-	-	513	-	-	546	-	-	277
Technical Education	-	-	532	-	205	-	-	235	-	-	-	54	-	-	-	-	-	-
CAPITAL EXPENDITURE:																		
Education	-	-	8,962	-	-	-	-	11,267	-	-	25,086	-	-	39,031	-	-	-	25,281
Technical Education	-	-	1,268	-	103,190	-	-	10,350	-	-	22,929	-	-	46,184	-	-	-	40,889
* TRAINING OF UNEMPLOYED (a)	-	-	-	-	-	-	-	-	-	-	-	-	-	-	-	-	-	-
Vocational and industrial training	-	-	48,896	-	44,082	-	-	-	-	-	-	-	-	-	-	-	-	-
Grant to Royal University of Malta	-	-	-	-	60,000	-	-	112,000	-	-	112,000	-	-	112,000	-	-	140,000	-
<b>TOTAL</b>	<b>270,467</b>	<b>307,210</b>	<b>84,524</b>	<b>1,227,323</b>	<b>304,247</b>	<b>147,272</b>	<b>1,409,227</b>	<b>501,049</b>	<b>21,517</b>	<b>1,467,171</b>	<b>549,714</b>	<b>48,582</b>	<b>1,513,771</b>	<b>588,641</b>	<b>85,765</b>	<b>1,592,890</b>	<b>611,730</b>	<b>66,170</b>

# Relate to the financial year i.e. April 1st to March 31st

\* During 1957/58 administered by the Department of Emigration, Labour and Social Welfare

X Equipment only

(a) Designation changed to Industrial Training

(b) Breakdown by type of School has not been made available by Department of Education for 1960/61, 1961/62, 1962/63, 1963/64

Sources: Department of Education

NUMBER OF STUDENTS ATTENDING TRAINING COLLEGES FOR TEACHERS: 1958/59 - 1963/64

Table 106.

College	Scholastic Year																							
	1959/60				1960/61				1961/62				1962/63				1963/64				1964/65			
	Two Year Course				Two Year Course				Two Year Course				Two Year Course				Two Year Course				Two Year Course			
	1st Year		2nd Year		1st Year		2nd Year		1st Year		2nd Year		1st Year		2nd Year		1st Year		2nd Year		1st Year		2nd Year	
	M	F	M	F	M	F	M	F	M	F	M	F	M	F	M	F	M	F	M	F	M	F	M	F
St. Michael's College	30	-	30	-	30	-	30	-	60	-	30	-	60	-	60	-	66	-	58	-	65	-	65	-
Mater Admirabilis College	-	83	-	87	-	87	-	87	-	121	-	88	-	120	-	120	-	125	-	121	-	125	-	135

Source: Department of Education

## A P P E N D I X

### FORMS SUPPLIED TO EDUCATIONAL ESTABLISHMENTS

#### FOR COMPILATION OF THE STATISTICAL DATA

#### SHOWN IN THIS PUBLICATION

- Form 1. Government Primary Schools - Premises, classes, teaching staff and 'summer' school-leavers.
- Form 2. Government Primary Schools - Pupils by age, sex, detail of admission cause of leaving, if any, and data on distribution of nourishments.
- Form 3. Private Schools - Premises, classes, teaching staff and 'summer' school-leavers.
- Form 4. Private Schools - Pupils by age, sex, detail of admission and cause of leaving, if any.
- Form 5. Government Lyceum, Grammar, Secondary Technical and Technical Schools - Premises, classes, teaching staff and 'summer' school-leavers
- Form 6. Government Lyceum, Grammar, Secondary Technical and Technical Schools - Pupils by age, sex, detail of admission and cause of leaving, if any.
- Form 7. Government Industrial Training Centres - Teaching Staff and 'summer' school-leavers.
- Form 8. Government Industrial Training Centres - Trainees by designation of course, age, educational qualifications and cause of leaving.
- Form 9. Government Evening Classes - Pupils, teachers, subjects taught and length of course.

1965/66 SCHOOL YEAR  
GOVERNMENT PRIMARY SCHOOLS

THIS FORM IS TO BE FILLED IN BY THE HEAD TEACHER

PART 1. PARTICULARS OF SCHOOL AND SCHOOL PREMISES

NAME of School

LOCALITY

**TYPE OF SCHOOL**  
[ Indicate by means of a (x) in the appropriate box ]

1. Boys  4. Boys and Girls

2. Girls  5. Girls and Infants

3. Infants  6. Boys and Infants

7. Boys, Girls, Infants

**PREMISES**

1. Total No. of Premises

2. No. of Government-owned Premises

3. No. of Privately-owned Premises

**ROOMS**  
[ Put the number of Rooms in the box provided near the type. Rooms should be classified against the heading of their main use e.g. A classroom used daily as such and occasionally as a workshop should be classified as a classroom ]

1. Classrooms  5. Offices

2. Workshops  6. Staff Rooms

3. Needlework and Domestic Science  7. Store Rooms

4. Laboratories  8. Other Rooms

9. Total

**PLAYGROUND**

1. Is School provided with playground? (Put a (x) in appropriate box)  
1. Yes  2. No

2. If yes, state approx. area in Sq. Yds.  sq.yds.

3. Is playground shared?  
1. Yes  2. No

4. If shared, name other Schools

**CLASSES**

Number of classes (as on 30th June, 1966)

PART II. STAFF

SERIAL NUMBER	SEX For Male put 1 For Female p.2	GRADE Head Tegch.p1 Sch. Ass. p2 Teacher p3	STATUS* [See note below]	AGE LAST BIRTHDAY	CLASS TAUGHT	SERIAL NUMBER	SEX	GRADE	STATUS	AGE LAST BIRTHDAY	CLASS TAUGHT
1.						10.					
2.						11.					
3.						12.					
4.						13.					
5.						14.					
6.						15.					
7.						16.					
8.						17.					
9.						18.					

*N.B.* A CONTINUATION SHEET FOR OTHER MEMBERS OF YOUR STAFF IS PROVIDED OVERLEAF

**STATUS OF STAFF:** For Headteacher or School Assistant in charge of a School put 0; For Teacher in Charge of a School put 1; For Helper to Head Teacher put 2; For a permanent Teacher in charge of a class put 3; For a Permanent Teacher not in charge of a class put 4; For a Temporary Teacher in charge of a class put 5; and for a Temporary Teacher not in charge of a class put 6.

**1965/66 SCHOOL YEAR**

**PART II. STAFF (CONTINUATION SHEET)**

SERIAL NUMBER	SEX	GRADE	STATUS	AGE	CLASS TAUGHT	SERIAL NUMBER	SEX	GRADE	STATUS	AGE	CLASS TAUGHT
19.						30					
20.						31					
21.						32					
22.						33					
23.						34					
24.						35					
25.						36					
26.						37					
27.						38					
28.						39					
29.						40					

**PART III. SCHOOL LEAVERS**

**HEADTEACHERS** are requested to give the following particulars on those pupils who left school between the 16th July, 1965 and the 14th September, 1965 i.e. during the long vacation before the current school year.

**VERY IMPORTANT.** In this Section please include also those pupils who had completed course or were proceeding to another school at the end of the last school year.

SERIAL NUMBER	AGE (Last Birthday)	SEX For Boy put 1 For Girl put 2	Class last attended in this School	CAUSE AND DATE OF LEAVING (Put a cross (X) in appropriate column)										Month	Year
				Emigrated	Completed Course	Exempted	Deceased	Entered Lyceum, Grammar or Sec. Tech.	Entered Technical School	Entered Private School	Transferred	Other Causes			
				1	2	3	4	5	6	7	8	9			
1.															
2.															
3.															
4.															
5.															
6.															
7.															
8.															

\* Transferred to another Government Primary School

Signature of Head Teacher \_\_\_\_\_

PART III. SCHOOL LEAVERS (CONTINUATION SHEET)

SERIAL  NUMBER (D.)	AGE  (Last Birthday)	SEX For Boy put 1 For Girl put 2	Class last attended in this School	CAUSE AND DATE OF LEAVING (Put a cross (X) in appropriate column)									Month	Year
				Emigrated	Completed Course	Exempted	Deceased	Entered Lyceum Grammar or Sec. Tech.	Entered Technical School	Entered Private School	Transferred	Other Causes		
				1	2	3	4	5	6	7	8	9		

Signature of Head Teacher \_\_\_\_\_

transferred to another Government Primary School.

PART III. SCHOOL LEAVERS (CONTINUATION SHEET)

SERIAL  NUMBER  (CONTD.)	AGE  (Last Birthday)	SEX For Boy put 1  For Girl put 2	Class last attended in this School	CAUSE AND DATE OF LEAVING (Put a cross (X) in appropriate column)									Month	Year
				Emigrated	Completed Course	Exempted	Deceased	Entered Lyceum Grammar or Sec. Tech.	Entered Technical School	Entered Private School	Transferred	Other Causes		
				1	2	3	4	5	6	7	8	9		

Signature of Head Teacher \_\_\_\_\_

\* Transferred to another Government Primary School.



GOVERNMENT PRIMARY SCHOOLS

THIS FORM IS TO BE FILLED IN BY EVERY TEACHER IN CHARGE OF A CLASS

PART I. SCHOOL AND CLASS

Type of School

Locality

Class

Number of Pupils in Class:-

[Put number in the box provided against each item]

(i) On the 15th September 1965 (first day of school)

(ii) Admitted between 15th September 1965 (first day of school) and 15th July, 1966 (last day of school).

(iii) Left class between 15th September 1965 (first day of school) and 15th July, 1966 (last day of school)

[A pupil admitted to another school which he will start attending in the next school year, or who has completed course at the end of this school year, should NOT be shown as having left school]

(iv) Total number on 15th July, 1966 (last day of school)

(v) Number of pupils taking Italian or French

Boys

Italian French

Girls


PART II. PUPILS

Note: THIS SECTION SHOULD CONTAIN DETAILS ON EVERY PUPIL IN ITEMS 4 (i) AND (ii) ABOVE

Serial Number	Age (Last Birthday)	Sex For Boy Put 1 For Girl Put 2	Promoted* Repeater or New (See note below)	Distribution of			Number of Morning and Afternoon Sessions Absent	Cause of leaving (if any) For pupils in Item 4 (iii) only [Insert (x) in appropriate col]						Month of Leaving		
				Milk	Cod-liver Oil	Vitamin Tablets		Emigrated	Exempted	Deceased	Entered a Private School	Transferred	Other Causes	Month	Year	
				Put a (x) where applicable				(1)	(3)	(4)	(7)	(8)	(9)			
1.																
2.																
3.																
4.																
5.																
6.																

**PROMOTED, REPEATER OR NEW:** In this column please state whether pupil has started the school year either on promotion from a lower class, has repeated the class or is new to the School. Insert 1 for promoted; 2 for repeater; 3 for new pupils who never attended ANY school before; and 4 for new pupils admitted from other schools.  
Please note that there can be no Promoted Pupils in Stage I.

PART II. PUPILS (CONTINUED)

Serial Number	Age (Last Birthday)	Sex For Boy Put 1 For Girl Put 2	Promoted* Repeater or New (See note)	Distribution of			Number of Morning and Afternoon Sessions Absent	Cause of leaving (if any) For pupils in Item 4 (iii) only [Insert (x) in appropriate col]						Month Leaving	
				Milk	Cod Liver Oil	Vitamin Tablets		Emigrated	Exempted	Deceased	Entered a Private School	Transferred	Other Causes	Month	Year
(1)	(3)	(4)	(7)	(8)	(9)										
7															
8															
9															
10															
11															
12															
13															
14															
15															
16															
17															
18															
19															
20															
21															
22															
23															
24															
25															
26															
27															
28															
29															
30															
31															

\* Transferred to another Government Primary School.

Signature of Class Teacher \_\_\_\_\_

1965/66 SCHOOL YEAR  
PRIVATE SCHOOLS

THIS FORM IS TO BE FILLED IN BY THE HEAD OF SCHOOL

PART I. PARTICULARS OF SCHOOL AND SCHOOL PREMISES

1. NAME OF SCHOOL

2. ADDRESS

**ROOMS**

[ Put the number of rooms in the box provided near the type. Rooms should be classified against the heading of their main use, e.g. a classroom used daily as such and occasionally as a workshop should be classified as a classroom ]

1. Classrooms	<input type="text"/>	5. Offices	<input type="text"/>
2. Workshops	<input type="text"/>	6. Staffrooms	<input type="text"/>
3. Needlework & Domestic Science	<input type="text"/>	7. Storerooms	<input type="text"/>
4. Laboratories	<input type="text"/>	8. Other Rooms	<input type="text"/>
9. Total number of rooms		<input type="text"/>	

**TYPE OF SCHOOL**

Indicate by means of a Cross (x) in the approp. box ]

Nursery	<input type="checkbox"/>	6. Infants & Primary	<input type="checkbox"/>
Infants	<input type="checkbox"/>	7. Infants, Primary and Secondary	<input type="checkbox"/>
Primary	<input type="checkbox"/>	8. Primary and Secondary	<input type="checkbox"/>
Secondary	<input type="checkbox"/>	9. Nursery, Infants, Primary and Secondary	<input type="checkbox"/>
Nursery and Infants	<input type="checkbox"/>		
Nursery, Infants and Primary	<input type="checkbox"/>		

**PLAYGROUND**

Is school provided with a playground? 1. Yes   
[Indicate by means of a cross in app. box]

2. No

If yes, state approx. area (in sq. yds.)  Sq. Yds.

**PREMISES**

Total No. of Premises	<input type="text"/>
No. of Government owned Premises	<input type="text"/>
No. of Privately owned Premises	<input type="text"/>

**CLASSES**

Number of classes (as on 30th June, 1966)

**FEEES**

[ Put amount in box provided ]

Total amount of Fees received during 1965/66 school year

**FOR OFFICE USE ONLY (LEAVE BLANK)**

Total number of Pupils

PART II. STAFF ( Including Principal )

Serial Number	Sex	Grade	Status	Age	Religious or Lay	Hours worked per Week
	For Male put 1 For Female put 2	For Principal p.1 For Master put 2 For Teacher put 3	For Permanent p.1 For Visitor put 2	(Last Birthday)	For Religious put 1 For Lay put 2	[ Put number ]
1.						
2.						
3.						
4.						

NOTE: A CONTINUATION SHEET FOR OTHER MEMBERS OF YOUR STAFF IS PROVIDED OVERLEAF

PART II. STAFF ( Including Principal ) ( CONTINUED )

Serial Number	Sex	Grade	Status	Age	Religious or Lay	Hours Worked per Week
5						
6						
7						
8						
9						
10						
11						
12						
13						
14						
15						
16						
17						
18						
19						
20						
21						
22						
23						
24						
25						
26						
27						
28						
29						
30						
31						
32						
33						
34						
35						
36						

EDUCATIONAL STATISTICS

1965/66 SCHOOL YEAR

PART III. SCHOOL LEAVERS

HEADS of schools are requested to give the following particulars on those pupils who left school between the first day of the summer holidays and the last day of the summer holidays i.e. during the long vacation before the current School Year.

**VERY IMPORTANT:** In this section include also those pupils who had completed course or were proceeding to another school at the end of the last School Year

Serial Number	Age (Last Birthday)	Sex For Boy put 1 For Girl put 2	Class Last Attended in this School	CAUSE AND DATE OF LEAVING (Put a cross (x) in appropriate column)									Month of Leaving	
				Emigrated	Completed Course	Exempted	Deceased	Entered Government Lyceum, Grammar, or Sec. Tech.	Entered Government Technical School	Entered Another Private School	Entered Government Primary School	Other Causes	Month	Year
				1	2	3	4	5	6	7	8	9		
1.														
2.														
3.														
4.														
5.														
6.														
7.														
8.														
9.														
10.														
11.														
12.														
13.														
14.														
15.														
16.														
17.														
18.														

NOTE: A CONTINUATION SHEET FOR OTHER SCHOOL LEAVERS IS PROVIDED OVERLEAF.

Signature of Head of School. \_\_\_\_\_

PART III. SCHOOL LEAVERS (CONTINUED).

Serial Number	Age  (Last Birthday)	Sex  For Boy put 1  For Girl put 2	Class Last Attended in this School	CAUSE AND DATE OF LEAVING ( Put a cross (x) in appropriate Column )									Month of Leaving		
				Emigrated	Completed Course	Exempted	Deceased	Entered Government Lyceum, Grammar, or Sec. Tech.	Entered Government Technical School	Entered Another Private School	Entered Government Primary School	Other Causes	Month	Year	
				1	2	3	4	5	6	7	8	9			
19															
20															
21															
22															
23															
24															
25															
26															
27															
28															
29															
30															
31															
32															
33															
34															
35															
36															
37															
38															
39															
40															
41															
42															
43															
44															
45															

Signature of Head of School. — — — — —

# EDUCATIONAL STATISTICS: 1965/66 SCHOOL YEAR

## PRIVATE SCHOOLS

THIS FORM IS TO BE FILLED IN BY EVERY TEACHER IN CHARGE OF A CLASS

### PART I. SCHOOL AND CLASS

1. Name of School

2. Address of School

3. Class

(State type and class number, e.g., Infant Stage I, Primary Standard 2, Secondary Class 1, etc.)

4. Number of Pupils in Class

(Put number against type in box provided)

- (i) BOARDERS
- (ii) DAY BOARDERS
- (iii) DAY PUPILS
- (iv) TOTAL PUPILS

### PART II. PUPILS

The number in this section should tally with that shown in item 4 (iv) above.

Serial Number	Age (Last birthday)	Sex (For Boy put 1)  (For Girl put 2)	Promoted, Repeater or New (See note below)	School Fees [ If exempted from fees put 1; If paying any amount of fees put 2]	Whether still at school or left (Put (x) in appropriate column)						Month of Leaving	
					Still at School	If Left, Cause of Leaving					Month	Year
						Emigrated (1)	Exempted (3)	Deceased (4)	Entered another Private School (7)	Entered a Govt. Primary School (8)		
1												
2												
3												
4												
5												
6												
7												
8												
9												
10												
11												

**PROMOTED, REPEATER OR NEW:** For a Promoted pupil put 1; for a Repeater put 2; for a New Pupil who never attended ANY School before put 3; and for a New pupil admitted from another school put 4.

Please note that there can be no Promoted Pupils in the lowest class of your School.

PART II. (CONTD.) PUPILS

Serial Number	Age (Last birthday)	Sex  (For Boy put 1)  (For Girl put 2)	Promoted, Repeater or New	School Fees [ If exempted from fees put 1: If paying any amount of fees put 2 ]	Whether still at school or left [Put (x) in appropriate column]						Month of Leaving	
					Still at School	If Left, Cause of Leaving					Month	Year
						Emigrated (1)	Exempted (3)	Deceased (4)	Entered another Private School (7)	Entered a Govt. Primary School (8)		
12												
13												
14												
15												
16												
17												
18												
19												
20												
21												
22												
23												
24												
25												
26												
27												
28												
29												
30												
31												
32												

Signature of Class Teacher \_\_\_\_\_



EDUCATIONAL STATISTICS

1965/66 SCHOOL YEAR

GOVERNMENT LYCEUM, GRAMMAR, SECONDARY TECHNICAL AND TECHNICAL SCHOOLS

THIS FORM IS TO BE FILLED IN BY THE HEAD OF SCHOOL

PART 1. PARTICULARS OF SCHOOL, PREMISES & STAFF

<p>TYPE OF SCHOOL <input style="width:200px; height:20px;" type="text"/></p> <p>[ State whether Lyceum, Grammar, Technical, Nautical etc.]</p> <p>LOCALITY <input style="width:200px; height:20px;" type="text"/></p>	<p style="text-align: center;">PLAYGROUND</p> <p>Is School provided with a playground? 1. Yes <input type="checkbox"/> 2. No <input type="checkbox"/></p> <p>[Indicate by means of a cross (x) in approp. box] If yes, state approx. area. <input style="width:100px; height:20px;" type="text"/> Sq. Yds.</p>
---	--

<p style="text-align: center;">PREMISES</p> <p>Total number of premises <input style="width:50px; height:20px;" type="text"/></p> <p>No. of Government owned premises <input style="width:50px; height:20px;" type="text"/></p> <p>No. of Privately owned premises <input style="width:50px; height:20px;" type="text"/></p>	<p style="text-align: center;">CLASSES</p> <p>[ Put number in box provided ]</p> <p>Number of classes (as on 30th June, 1965) <input style="width:50px; height:20px;" type="text"/></p>
--	---

<p style="text-align: center;">ROOMS</p> <p>[Put number in the box provided near the type. Rooms should be classified against the heading of their main use e.g. A classroom used daily as such and occasionally as a workshop should be classified as a classroom]</p> <table style="width:100%;"> <tr> <td style="width:50%;">1. Classrooms <input style="width:30px; height:20px;" type="text"/></td> <td style="width:50%;">5. Offices <input style="width:30px; height:20px;" type="text"/></td> </tr> <tr> <td>2. Workshops <input style="width:30px; height:20px;" type="text"/></td> <td>6. Staffrooms <input style="width:30px; height:20px;" type="text"/></td> </tr> <tr> <td>3. Needlework and Domestic Science <input style="width:30px; height:20px;" type="text"/></td> <td>7. Store Rooms <input style="width:30px; height:20px;" type="text"/></td> </tr> <tr> <td>4. Laboratories <input style="width:30px; height:20px;" type="text"/></td> <td>8. Other Rooms <input style="width:30px; height:20px;" type="text"/></td> </tr> <tr> <td></td> <td>9. Total <input style="width:30px; height:20px;" type="text"/></td> </tr> </table>	1. Classrooms <input style="width:30px; height:20px;" type="text"/>	5. Offices <input style="width:30px; height:20px;" type="text"/>	2. Workshops <input style="width:30px; height:20px;" type="text"/>	6. Staffrooms <input style="width:30px; height:20px;" type="text"/>	3. Needlework and Domestic Science <input style="width:30px; height:20px;" type="text"/>	7. Store Rooms <input style="width:30px; height:20px;" type="text"/>	4. Laboratories <input style="width:30px; height:20px;" type="text"/>	8. Other Rooms <input style="width:30px; height:20px;" type="text"/>		9. Total <input style="width:30px; height:20px;" type="text"/>	<p style="text-align: center;">TEACHING STAFF</p> <p>[ Put number in box provided ]</p> <table style="width:100%;"> <tr> <td style="width:50%;"></td> <td style="width:5%;"></td> <td style="width:5%;"></td> <td style="width:5%;"></td> <td style="width:5%;"></td> <td style="width:5%;"></td> <td style="width:5%;"></td> <td style="width:5%;"></td> <td style="width:5%;"></td> <td style="width:5%;"></td> </tr> <tr> <td></td> <td style="text-align: center;">M</td> <td style="text-align: center;">F</td> <td></td> <td style="text-align: center;">M</td> <td style="text-align: center;">F</td> <td></td> <td></td> <td></td> <td></td> </tr> <tr> <td>1. Permanent</td> <td><input style="width:20px; height:20px;" type="text"/></td> <td><input style="width:20px; height:20px;" type="text"/></td> <td>5. Visiting Masters</td> <td><input style="width:20px; height:20px;" type="text"/></td> <td><input style="width:20px; height:20px;" type="text"/></td> <td></td> <td></td> <td></td> <td></td> </tr> <tr> <td>2. Temporary</td> <td><input style="width:20px; height:20px;" type="text"/></td> <td><input style="width:20px; height:20px;" type="text"/></td> <td>6. Instructors (for Technical Schools)</td> <td><input style="width:20px; height:20px;" type="text"/></td> <td><input style="width:20px; height:20px;" type="text"/></td> <td></td> <td></td> <td></td> <td></td> </tr> <tr> <td>3. Seconded from Primary Schools</td> <td><input style="width:20px; height:20px;" type="text"/></td> <td><input style="width:20px; height:20px;" type="text"/></td> <td>7. Technicians (for Technical Schools)</td> <td><input style="width:20px; height:20px;" type="text"/></td> <td><input style="width:20px; height:20px;" type="text"/></td> <td></td> <td></td> <td></td> <td></td> </tr> <tr> <td>4. Contract</td> <td><input style="width:20px; height:20px;" type="text"/></td> <td><input style="width:20px; height:20px;" type="text"/></td> <td>8. Total in School</td> <td><input style="width:20px; height:20px;" type="text"/></td> <td><input style="width:20px; height:20px;" type="text"/></td> <td></td> <td></td> <td></td> <td></td> </tr> </table> <p><b>NOTE: M denotes Males and F denotes Females</b></p>												M	F		M	F					1. Permanent	<input style="width:20px; height:20px;" type="text"/>	<input style="width:20px; height:20px;" type="text"/>	5. Visiting Masters	<input style="width:20px; height:20px;" type="text"/>	<input style="width:20px; height:20px;" type="text"/>					2. Temporary	<input style="width:20px; height:20px;" type="text"/>	<input style="width:20px; height:20px;" type="text"/>	6. Instructors (for Technical Schools)	<input style="width:20px; height:20px;" type="text"/>	<input style="width:20px; height:20px;" type="text"/>					3. Seconded from Primary Schools	<input style="width:20px; height:20px;" type="text"/>	<input style="width:20px; height:20px;" type="text"/>	7. Technicians (for Technical Schools)	<input style="width:20px; height:20px;" type="text"/>	<input style="width:20px; height:20px;" type="text"/>					4. Contract	<input style="width:20px; height:20px;" type="text"/>	<input style="width:20px; height:20px;" type="text"/>	8. Total in School	<input style="width:20px; height:20px;" type="text"/>	<input style="width:20px; height:20px;" type="text"/>				
1. Classrooms <input style="width:30px; height:20px;" type="text"/>	5. Offices <input style="width:30px; height:20px;" type="text"/>																																																																						
2. Workshops <input style="width:30px; height:20px;" type="text"/>	6. Staffrooms <input style="width:30px; height:20px;" type="text"/>																																																																						
3. Needlework and Domestic Science <input style="width:30px; height:20px;" type="text"/>	7. Store Rooms <input style="width:30px; height:20px;" type="text"/>																																																																						
4. Laboratories <input style="width:30px; height:20px;" type="text"/>	8. Other Rooms <input style="width:30px; height:20px;" type="text"/>																																																																						
	9. Total <input style="width:30px; height:20px;" type="text"/>																																																																						
	M	F		M	F																																																																		
1. Permanent	<input style="width:20px; height:20px;" type="text"/>	<input style="width:20px; height:20px;" type="text"/>	5. Visiting Masters	<input style="width:20px; height:20px;" type="text"/>	<input style="width:20px; height:20px;" type="text"/>																																																																		
2. Temporary	<input style="width:20px; height:20px;" type="text"/>	<input style="width:20px; height:20px;" type="text"/>	6. Instructors (for Technical Schools)	<input style="width:20px; height:20px;" type="text"/>	<input style="width:20px; height:20px;" type="text"/>																																																																		
3. Seconded from Primary Schools	<input style="width:20px; height:20px;" type="text"/>	<input style="width:20px; height:20px;" type="text"/>	7. Technicians (for Technical Schools)	<input style="width:20px; height:20px;" type="text"/>	<input style="width:20px; height:20px;" type="text"/>																																																																		
4. Contract	<input style="width:20px; height:20px;" type="text"/>	<input style="width:20px; height:20px;" type="text"/>	8. Total in School	<input style="width:20px; height:20px;" type="text"/>	<input style="width:20px; height:20px;" type="text"/>																																																																		

PART II. SCHOOL LEAVERS

HEADS OF SCHOOLS are requested to give the following particulars on those pupils who left school between July 1965 and September 1965 i.e. during the long Vacation before the current School Year.

**VERY IMPORTANT.** In this Section please include also those pupils who completed course or were proceeding to another school at the end of the last School Year. (June - July 1965)

Serial Number	Age (Last Birthday)	Sex (For Boy put 1) (For Girl put 2)	Class last attended in this School	Cause and Month of Leaving [Put a cross (x) in appropriate column]							Month	Year
				Emigrated	Completed Course	Did not complete course	Deceased	Entered Private School	Other Causes			
				1	2	3	4	7	9			
1												
2												

NOTE: A CONTINUATION SHEET FOR OTHER STUDENTS IS PROVIDED OVERLEAF.

PART II. SCHOOL LEAVERS (CONTINUED).

Serial Number	Age  (Last Birthday)	Sex  (For Boy put 1)  (For Girl put 2)	Class last  attended in  this School	Cause and Month of Leaving [Put a cross (x) in appropriate column]							Month	Year
				Emigrated	Completed Course	Did not complete course	Deceased	Entered Private School	Other Causes			
				1	2	3	4	7	9			
3												
4												
5												
6												
7												
8												
9												
10												
11												
12												
13												
14												
15												
16												
17												
18												
19												
20												
21												
22												
23												
24												
25												
26												
27												
28												
29												
30												
31												

Signature of Head of School \_\_\_\_\_

**EDUCATIONAL STATISTICS: 1965/66 SCHOOL YEAR**  
**GOVERNMENT LYCEUM, GRAMMAR, SECONDARY TECHNICAL**  
**AND TECHNICAL SCHOOLS**

FORM 6.

THIS FORM IS TO BE FILLED IN BY EVERY TEACHER IN CHARGE OF A CLASS

**PART I. SCHOOL AND CLASS**

Type of School

[State whether Lyceum, Grammar, Secondary Technical or Technical]

Locality

Class

[If Class VI distinguish between Sixth Form (Arts), Sixth Form (Science), Matric, and whether 1st or 2nd year]

Number of Pupils in Class:

[Insert number in box provided against each item]

(i) On 1st October, 1965 (or on first day of school)

(ii) Admitted between 1st October, 1965 (first day of school) and 30th June, 1966 (last day of school)

(iii) Left Class between 1st October, 1965 (first day of school) and 30th June, 1964 (last day of school)

[A pupil who completed course at the end of this school year, or who will be admitted to another school which he will start attending in the next school year, should NOT be shown as having left school]

(iv) Total on 30th June, 1966 (last day of school)

**PART II. PUPILS**

NOTE: This Section should contain details on every pupil in Items 4 (i) and (ii) above

Serial Number	Age (Last Birthday)	Sex For Boy Put 1 For Girl Put 2	Promoted Repeater or New [See note below]	Cause of Leaving (If any) [For Pupils in Item 4 (iii) only Insert (x) in appropriate column]					Month of Leaving	
				Emigrated	Did not complete course	Deceased	Entered a Private School	Other Causes	Month	Year
				1	3	4	7	9		
1										
2										
3										
4										
5										
6										
7										

PROMOTED, REPEATER OR NEW: For a Promoted Pupil put 1; for a Repeater put 2; for a New Pupil admitted from a Government Primary School put 3; and for a New Pupil admitted from a Private School put 4.

Case note that there can be no Promoted Pupils in Class I.

PART II. (CONTD.) PUPILS

Serial Serial Number	Age  (Last Birthday)	Sex  For Boy Put 1  For Girl Put 2	Promoted  Repeater  or New	Cause of leaving (If any) [For Pupils in Item 4 (iii) only, Insert (x) in appropriate column]					Month of Leaving	
				Emigrated	Did not complete course	Deceased	Entered a Private School	Other Causes	Month	Year
8										
9										
10										
11										
12										
13										
14										
15										
16										
17										
18										
19										
20										
21										
22										
23										
24										
25										
26										
27										
28										
29										
30										
31										
32										
33										

Signature of Form Master. \_\_\_\_\_

EDUCATIONAL STATISTICS  
 SCHOLASTIC YEAR 1965/66  
 INDUSTRIAL TRAINING CENTRES

THIS FORM IS TO BE FILLED IN BY THE HEAD OF THE CENTRE

PART I. PARTICULARS OF CENTRE AND COURSES

1. Name of Centre

2. Locality of Centre

3. Number of Courses held during the school year

PART II. PARTICULARS OF TEACHING STAFF

Serial Number of Course	DESIGNATION OF COURSE  [ Enter exact designation for each course, e.g. Woodwork, Motor Mechanics, Sheet Metal and Panel Beating, etc. ]  <i>NOTE: The number of Designations is to tally with that in Item 3 above.</i>	Number of Instructors	
		Permanent	Temporary
1			
2			
3			
4			
5			
6			
7			
8			
9			
10			
11			
12			
13			
14			
15			
16			
17			

Signature of Head of Centre \_\_\_\_\_

PART II. PARTICULARS OF TEACHING STAFF (CONTD.)

Serial No.	DESIGNATION OF COURSE	Number of Instructors	
		Permanent	Temporary
18			
19			
20			
21			
22			
23			
24			
25			
26			
27			
28			
29			
30			
31			
32			
33			
34			
35			
36			
37			
38			
39			
40			
41			
42			
43			
44			
45			
46			
47			
48			
49			
50			

Signature of Head of Centre \_\_\_\_\_

PART III. SCHOOL LEAVERS

NOTE: Particulars of trainees who left the Centre between the end of last School Year and before the beginning of the current School Year.

Serial Number	Age in years (Last Birthday)	Cause of Leaving (put an X in appropriate column)						Month of Leaving		Duration of Attendance (Months)
		Completed Course	Did not complete Course					Month	Year	
			Employed in Trade	Employed not-in Trade	Unemployed	Emigrated	Other Causes			
1										
2										
3										
4										
5										
6										
7										
8										
9										
10										
11										
12										
13										
14										
15										
16										
17										
18										
19										
20										
21										
22										
23										

NOTE: A CONTINUATION SHEET FOR FURTHER TRAINEES IS PROVIDED OVERLEAF.

Signature of Head of Centre \_\_\_\_\_

Serial Number	Age in years  (Last Birthday)	Cause of Leaving (put an X in appropriate column)						Month of Leaving		Duration of Attendance  (Months)
		Completed Course	Did not complete Course					Month	Year	
			Employed in Trade	Employed not in Trade	Unemployed	Emigrated	Other Causes			
24										
25										
26										
27										
28										
29										
30										
31										
32										
33										
34										
35										
36										
37										
38										
39										
40										
41										
42										
43										
44										
45										
46										
47										
48										

Signature of Head of Centre \_\_\_\_\_



EDUCATIONAL STATISTICS: SCHOLASTIC YEAR: 1965/66

INDUSTRIAL TRAINING CENTRES

THIS FORM IS TO BE FILLED IN FOR EACH COURSE

PART I. CENTRE AND COURSE

1. Name of Centre

2. Locality

3. Designation of Course

[Enter exact Designation, e.g. Woodwork, Motor Mechanics, Sheet Metal and Panel Beating, etc.]

4. Duration of Course

[Enter number of months]

Day

Month

Year




5. Date of Commencement of Course

PART II. TRAINEES

Serial Number	Pre-Admission Standard (See note)	Age in Years (Last birthday)	Whether still at school or left [Insert a cross (x) in appropriate column]					Month of Leaving		Allowance (Give weekly rates in shillings)	
			Still at School	Cause of leaving (If Any)					Month		Year
				Did not complete course							
				Employed in Trade	Employed not in Trade	Unemployed	Emigrated	Other Causes			
1											
2											
3											
4											
5											
6											
7											
8											
9											
10											
11											

PRE-ADMISSION STANDARD: For Trainees who reached a IV or higher Standard of a Primary School before admission put 1; for Trainees who previously attended a Technical or Grammar School (Government or other) put 2; for all other Trainees put 3.

PART II. (CONTD.) TRAINEES

Serial Number	Pre-Admission Standqrd  (See note)	Age in Years  (Last birthday)	Whether still at school or left [Insert a cross (x) in appropriate column]							Month of Leaving		Allowance  (Give weekly rates in shillings)
			Still  at  School	Cause of leaving (If Any)					Other Causes			
				Did not complete course								
				Employed in Trade	Employed not in Trade	Unemployed	Emigrated			Month	Year	
12												
13												
14												
15												
16												
17												
18												
19												
20												
21												
22												
23												
24												
25												
26												
27												
28												
29												
30												
31												
32												
33												
34												
35												
36												

Signature of Class Teacher. \_\_\_\_\_

